

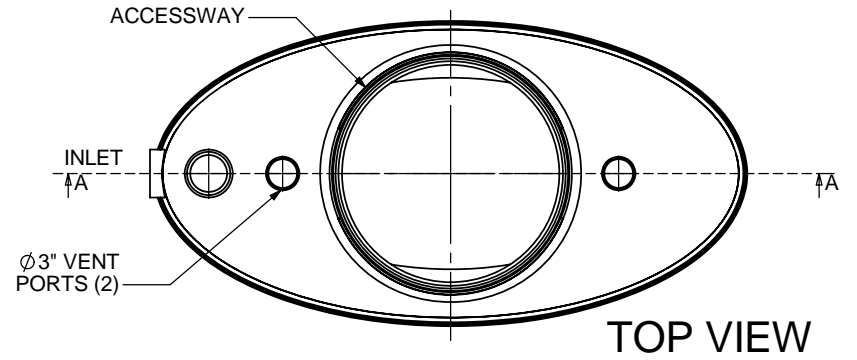
**NOTES:**

1. FOR GRAVITY APPLICATIONS ONLY.
2. ALL GREEN TURTLE™ UNITS ARE MANUFACTURED WITH FIBERGLASS REINFORCED PLASTICS. PHYSICAL CHARACTERISTICS AND THICKNESS: POLYESTER RESIN AND E GLASS MINIMUM THICKNESS 3/16" WALL AND 5/16" TOP AND BOTTOM BOWLS.
3. ALL UNITS ARE TO BE INSTALLED IN ACCORDANCE WITH THE MANUFACTURERS INSTALLATION INSTRUCTION.
4. STANDARD PIPING IS SCH 40 PVC.
5. EHT 50 - 300 UNITS COME STANDARD WITH 4" INLET (OTHER CUSTOM SIZES AVAILABLE ON REQUEST).
6. EXTENSION COLLAR TO BE ORDERED TO MEET FINISHED GRADE, CUT ON SITE FOR FINAL ADJUSTMENT AND CAULKED WITH SIKAFLEX BY CONTRACTOR FOR WATERTIGHT SEAL.
7. COVERS AVAILABLE FOR H2O TRAFFIC LOADING, PEDESTRIAN LOADING OR ABOVE GROUND INSTALLATION.
8. CONSULT GREEN TURTLE FOR OTHER SIZES.
9. 30 YEAR WARRANTY AGAINST LEAKS, AND STRUCTURAL FAILURE.
10. U.S. PATENT #5,746,912; CDN PATENT #2,195,822

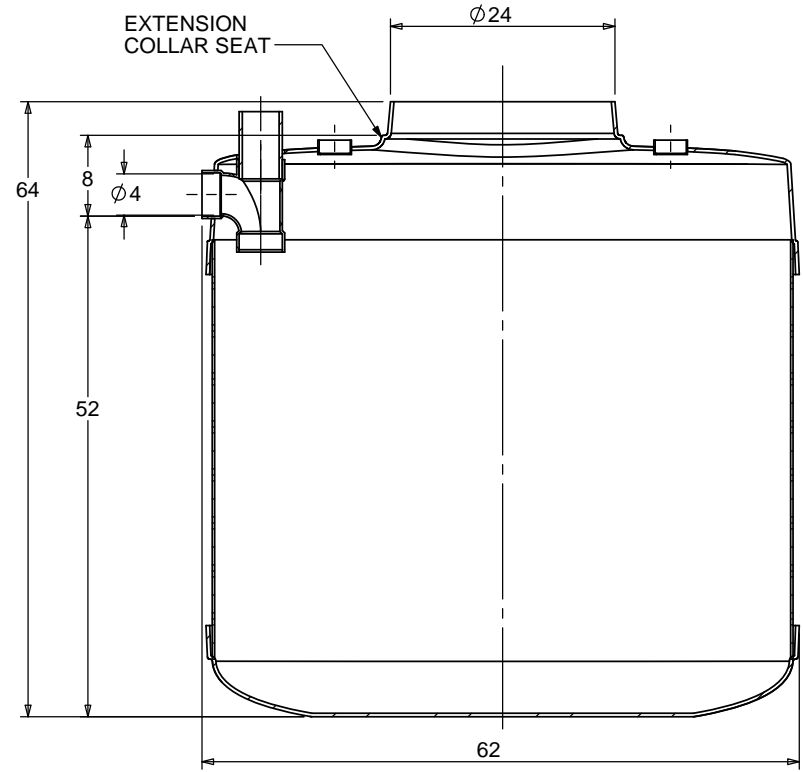
**SPECIFICATIONS**

PIPE SIZE: 4 INCH PVC SCH 40  
 INSTALLATION: BURIED  
 ACCESSWAY SIZE: 24 INCHES

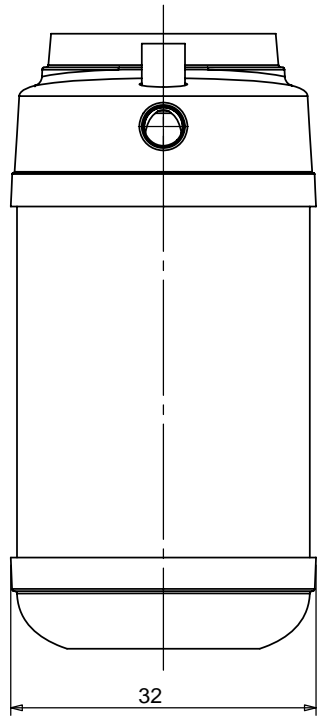
**OPTIONS**



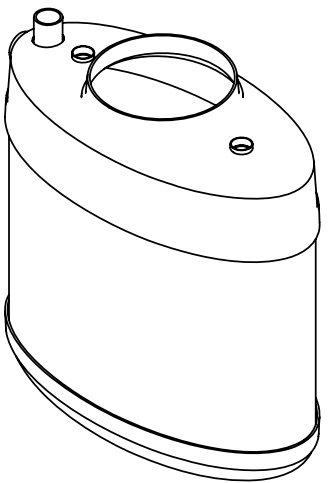
**TOP VIEW**



**SECTION A-A**



**SIDE VIEW**



**ISOMETRIC VIEW**

TITLE: <u>HOLDING TANK</u> EHT 300		REV	DATE	DRAWN
		1		
		2		
		3	MARCH 13, 2008	L. SIMKINS
		4	APRIL 23, 2008	L. SIMKINS
		5	JUNE 09, 2010	L. SIMKINS
		6	APRIL 26, 2012	L. SIMKINS
		7	MAY 11, 2016	
		8	MARCH 31, 2017	
		9		
		10		
DRAWN BY: F. CHANDLER				
DRAWN DATE: 9/2/04				

ALL DIMENSIONS IN INCHES

PROJECT: WO:

NOTES:



SIZE	DWG. NO.	REV.
A	EHT 300	8
SCALE: 1:20	DO NOT SCALE DRAWING	SHEET 1 OF 1