


**NOTES:**

1. FOR GRAVITY APPLICATIONS ONLY.
2. ALL PROCEPTOR UNITS ARE MANUFACTURED WITH FIBERGLASS REINFORCED PLASTICS.
3. ALL PROCEPTOR UNITS ARE TO BE INSTALLED IN ACCORDANCE WITH THE MANUFACTURER'S INSTALLATION INSTRUCTION.
4. STANDARD PIPING IS SCH. 40 PVC.
5. GMC/OMC 500 - 3000 UNITS COME STANDARD WITH 4" INLET AND OUTLET (OTHER PIPE SIZE OPTIONS AVAILABLE ON REQUEST).
6. EXTENSION COLLAR TO BE ORDERED TO MEET FINISHED GRADE, CUT ON SITE FOR FINAL ADJUSTMENT AND CAULKED WITH SIKAFLEX BY CONTRACTOR FOR WATERTIGHT SEAL.
7. COVERS AVAILABLE FOR H20 TRAFFIC LOADING, PEDESTRIAN LOADING OR ABOVE GROUND INSTALLATION.
8. CONSULT GREEN TURTLE FOR OTHER SIZES.
9. 30 YEAR WARRANTY AGAINST LEAKS, AND STRUCTURAL FAILURE.
10. U.S. PATENT #5,746,912; CDN PATENT #2,195,822

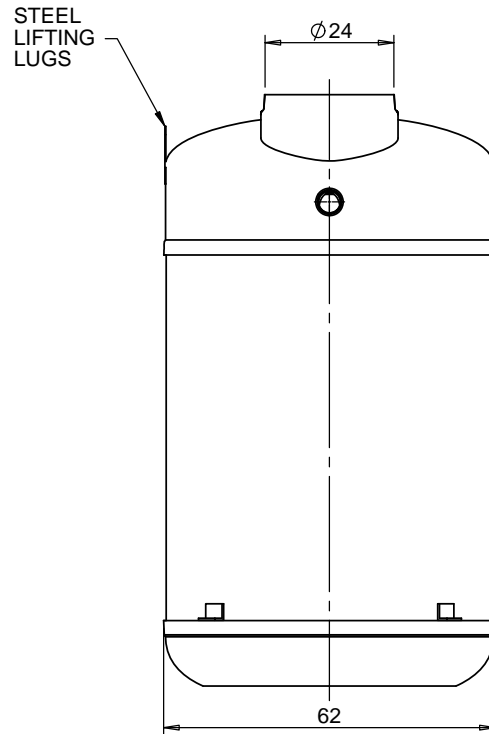
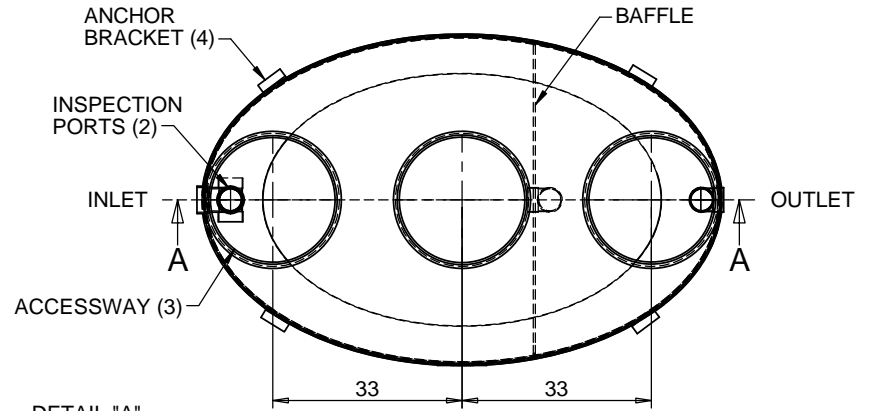
US PAT. # 5746912

**Proceptor®** 

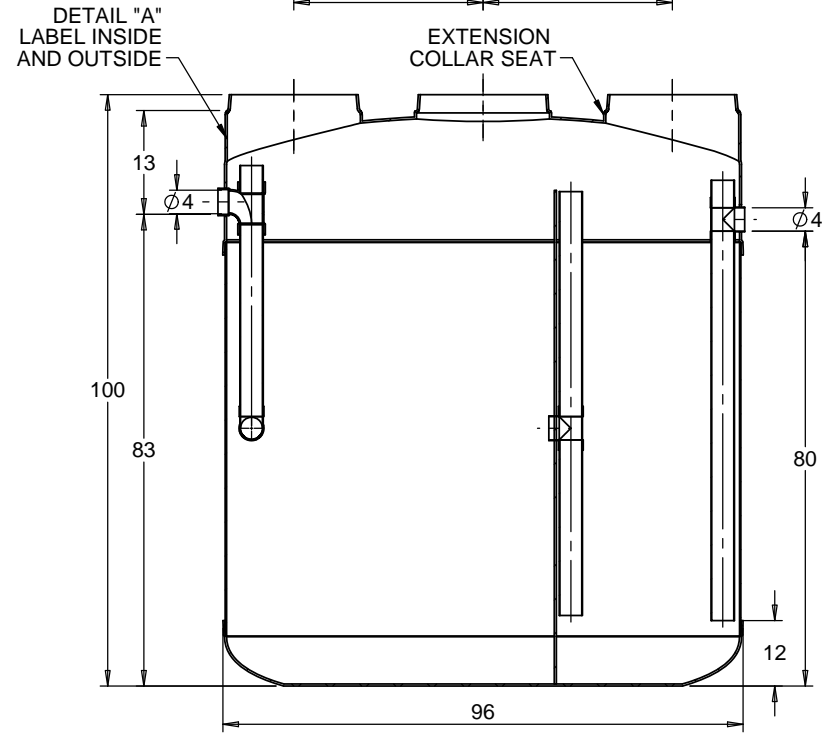
MANUFACTURER: ZURN GREEN TURTLE

PROCEPTOR MODEL NUMBER: GMC 1500-P UPC  
 LIQUID CAPACITY (WORKING VOLUME): 1500 US GAL.  
 RATED FLOW:  
 STD. MAX BURIAL DEPTH TO TOP OF TANK: 6 FT.  
 MAX VERTICAL LOAD: 1133 PSF  
 MONTH/YEAR OF MANUFACTURE:

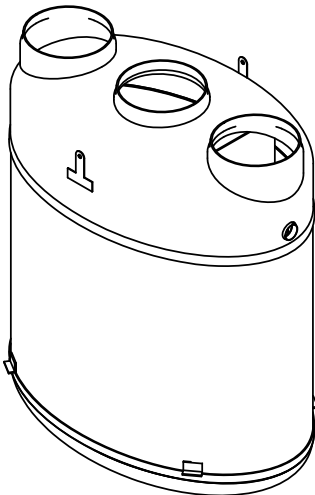
DETAIL "A"



FOR UPC/IAPMO INSTALLATIONS



SECTION A-A  
SCALE 1 : 35



FOR UPC/IAPMO INSTALLATIONS  
 APPROVED UNDER PS 80-2008  
 MEETS ASTM C-581

TITLE: PROCEPTOR SEPARATOR GMC 1500-P UPC GALLON INTERCEPTOR 4" INLET & OUTLET 24" TRIPLE ACCESSWAY		REV	DATE	DRAWN
PROJECT: WO:		1		
AVAILABLE OPTIONS (CHECKED IF REQUESTED)		2		
<input type="checkbox"/> OIL/GREASE SENSOR ALARM		3		
<input type="checkbox"/> SUCTION PIPE FOR INDOOR INSTALLATION		4		
<input type="checkbox"/> ABOVE GROUND CONFIGURATION		5		
<input type="checkbox"/> DOUBLE WALL CONSTRUCTION		6		
<input type="checkbox"/> OIL DRAW OFF PIPE TO CONNECT TO EXTERNAL OIL HOLDING TANK (FOR OIL ONLY)		7		
DRAWN BY: L. SIMKINS		8		
DATE DRAWN: 2018/08/08		9		
		10		



SIZE	DWG. NO.	REV.
A	GMC 1500-P UPC	0
SCALE: 1:35	DO NOT SCALE DRAWING	SHEET 1 OF 1