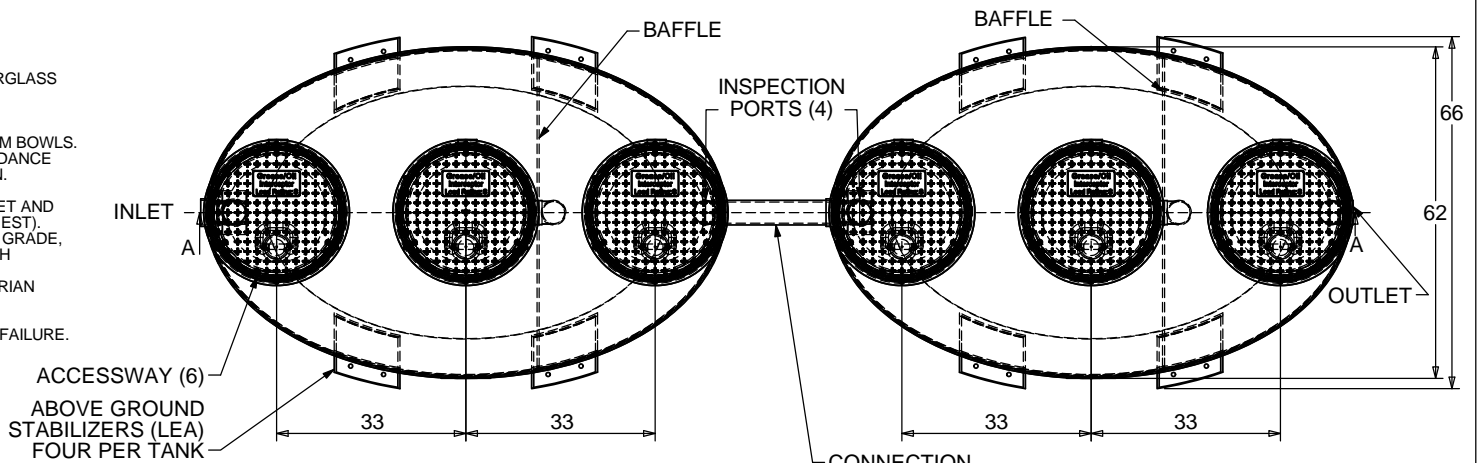


**NOTES:**

1. FOR GRAVITY APPLICATIONS ONLY.
2. ALL PROCEPTOR UNITS ARE MANUFACTURED WITH FIBERGLASS REINFORCED PLASTICS.  
PHYSICAL CHARACTERISTICS AND THICKNESS:  
POLYESTER RESIN AND E GLASS  
MINIMUM THICKNESS 1/4" WALL AND 3/8" TOP AND BOTTOM BOWLS.
3. ALL PROCEPTOR UNITS ARE TO BE INSTALLED IN ACCORDANCE WITH THE MANUFACTURERS INSTALLATION INSTRUCTION.
4. STANDARD PIPING IS SCH. 40 PVC.
5. GMC/OMC 500 - 3000 UNITS COME STANDARD WITH 4" INLET AND OUTLET (OTHER PIPE SIZE OPTIONS AVAILABLE ON REQUEST).
6. EXTENSION COLLAR TO BE ORDERED TO MEET FINISHED GRADE, CUT ON SITE FOR FINAL ADJUSTMENT AND CAULKED WITH SIKAFLEX BY CONTRACTOR FOR WATERTIGHT SEAL.
7. COVERS AVAILABLE FOR H2O TRAFFIC LOADING, PEDESTRIAN LOADING OR ABOVE GROUND INSTALLATION.
8. CONSULT GREEN TURTLE FOR OTHER SIZES.
9. 30 YEAR WARRANTY AGAINST LEAKS, AND STRUCTURAL FAILURE.
10. U.S. PATENT #5,746,912; CDN PATENT #2,195,822

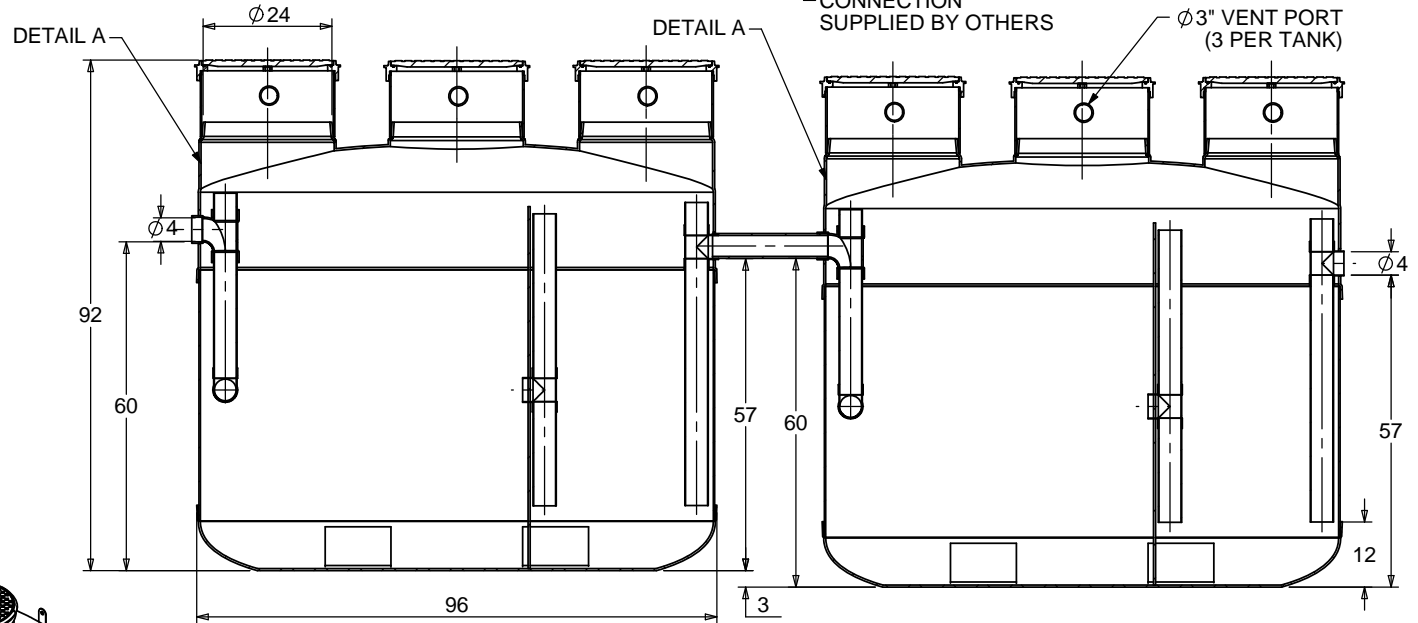


US PAT. # 5746912

**Proceptor**<sup>®</sup>

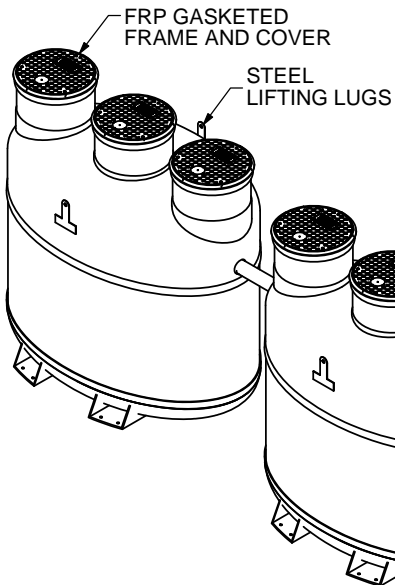
MANUFACTURER: GREEN TURTLE TECHNOLOGIES

PROCEPTOR MODEL NUMBER: GMC 1000-P UPC  
 LIQUID CAPACITY (WORKING VOLUME): 1000 US GAL.  
 RATED FLOW:  
 STD. MAX BURIAL DEPTH TO TOP OF TANK: 6 FT.  
 MAX VERTICAL LOAD: 1133 PSF  
 MONTH/YEAR OF MANUFACTURE:



SECTION A-A  
SCALE 1 : 35

TWO GMC 1000-P UPC IN SERIES



FOR UPC/IAPMO INSTALLATIONS  
 APPROVED UNDER PS 80-2008  
 MEETS ASTM C-581

FOR UPC/IAPMO INSTALLATIONS

TITLE: PROCEPTOR SEPARATOR		REV	DATE	DRAWN
GMC 2000(2)-P UPC GALLON INTERCEPTOR		1		
4" INLET & OUTLET		2		
24" TRIPLE ACCESSWAY		3		
PROJECT: WO:		4		
		5		
AVAILABLE OPTIONS (CHECKED IF REQUESTED)		6		
<input type="checkbox"/> OIL/GREASE SENSOR ALARM		7		
<input type="checkbox"/> SUCTION PIPE FOR INDOOR INSTALLATION		8		
<input checked="" type="checkbox"/> ABOVE GROUND CONFIGURATION		9		
<input type="checkbox"/> DOUBLE WALL CONSTRUCTION		10		
OIL DRAW OFF PIPE TO CONNECT TO EXTERNAL OIL HOLDING TANK(FOR OIL ONLY)		DRAWN BY: L. SIMKINS		
		DATE DRAWN: 2018/08/08		



SIZE	DWG. NO.	REV.
A	GMC 2000(2)-P UPC	0
SCALE:1:35	DO NOT SCALE DRAWING	SHEET 1 OF 1