

NOTES:

1. FOR GRAVITY APPLICATIONS ONLY.
2. ALL PROCEPTOR UNITS ARE MANUFACTURED WITH FIBERGLASS REINFORCED PLASTICS. PHYSICAL CHARACTERISTICS AND THICKNESS: POLYESTER RESIN AND E GLASS MINIMUM THICKNESS 1/4" WALL AND 3/8" TOP AND BOTTOM BOWLS.
3. ALL PROCEPTOR UNITS ARE TO BE INSTALLED IN ACCORDANCE WITH THE MANUFACTURER'S INSTALLATION INSTRUCTION.
4. STANDARD PIPING IS SCH. 40 PVC.
5. GMC/OMC 500 - 3000 UNITS COME STANDARD WITH 4" INLET AND OUTLET (OTHER PIPE SIZE OPTIONS AVAILABLE ON REQUEST).
6. EXTENSION COLLAR TO BE ORDERED TO MEET FINISHED GRADE, CUT ON SITE FOR FINAL ADJUSTMENT AND CAULKED WITH SIKAFLEX BY CONTRACTOR FOR WATERTIGHT SEAL.
7. COVERS AVAILABLE FOR H20 TRAFFIC LOADING, PEDESTRIAN LOADING OR ABOVE GROUND INSTALLATION.
8. CONSULT GREEN TURTLE FOR OTHER SIZES.
9. 30 YEAR WARRANTY AGAINST LEAKS, AND STRUCTURAL FAILURE.
10. U.S. PATENT #5,746,912; CDN PATENT #2,195,822

US PAT. # 5746912

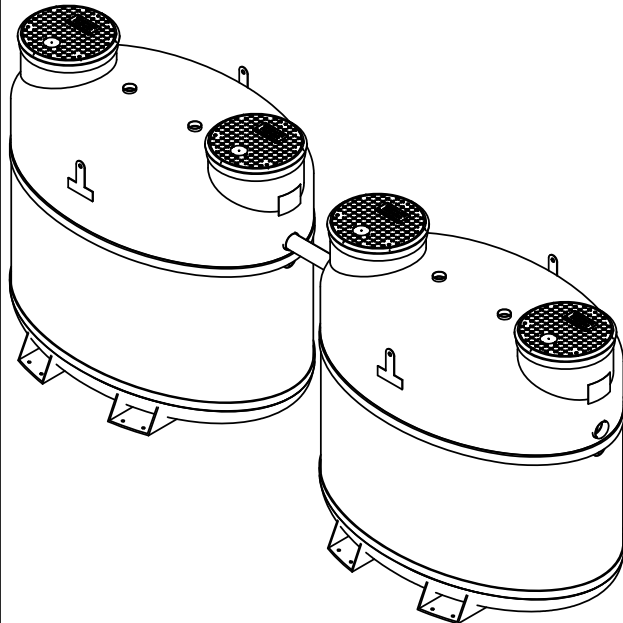
Proceptor®



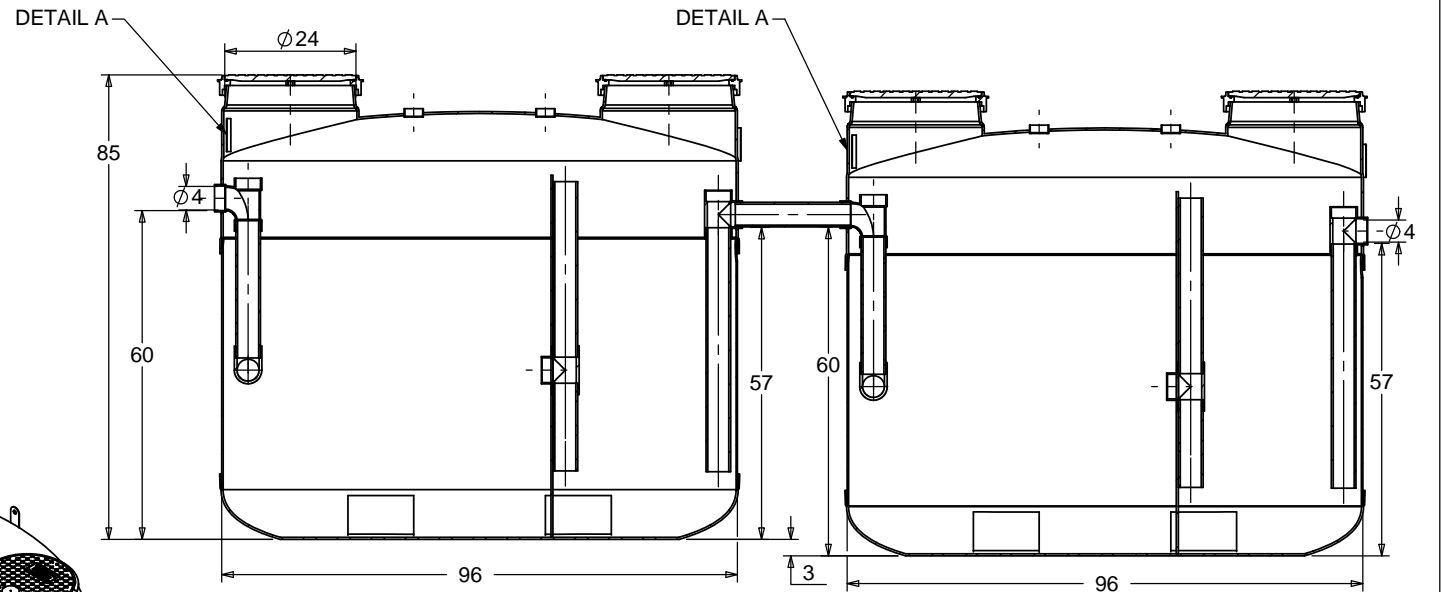
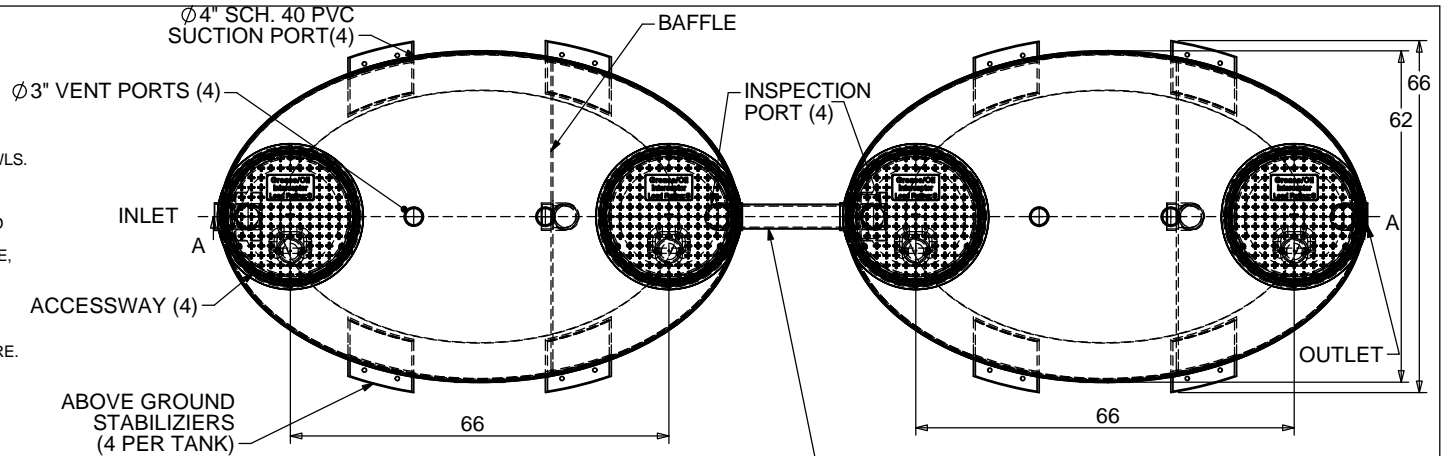
MANUFACTURER: ZURN GREEN TURTLE
 PROCEPTOR MODEL NUMBER: GMC 1000 UPC
 LIQUID CAPACITY (WORKING VOLUME): 1000 US GAL.
 RATED FLOW:
 STD. MAX BURIAL DEPTH TO TOP OF TANK: 6 FT.
 MAX VERTICAL LOAD: 1133 PSF
 MONTH/YEAR OF MANUFACTURE:

DETAIL A

TWO GMC 1000 UPC IN SERIES



**FOR UPC/IAPMO INSTALLATIONS
 APPROVED UNDER IAPMO / ANSI Z1001-2007
 MEETS ASTM C-581**



SECTION A-A
 SCALE 1 : 35

REV	DATE	DRAWN
11	MAY 15, 2017	
2	SEPTEMBER 20, 2005	L. SIMKINS
3	JANUARY 2, 2007	L. SIMKINS
4	MAY 14, 2008	L. SIMKINS
5	NOVEMBER 16, 2009	L. SIMKINS
6	APRIL 3, 2012	L. SIMKINS
7	SEPTEMBER 21, 2012	S. MANGAT
8	OCTOBER 24, 2012	S. MANGAT
9	NOV. 11, 2012	S. MANGAT
10	NOV. 02, 2016	

TITLE: PROCEPTOR F.O.G. SEPARATOR	PROJECT: WO:
GMC 2000(2) UPC GALLON INTERCEPTOR	
4" INLET & OUTLET	
24" ACCESSWAY	
AVAILABLE OPTIONS (CHECKED IF REQUESTED)	
<input type="checkbox"/> SUCTION PIPE FOR INDOOR INSTALLATION	
<input checked="" type="checkbox"/> ABOVE GROUND INSTALLATION	
<input type="checkbox"/> OIL/GREASE SENSOR ALARM	
DRAWN BY: F. CHANDLER	
DRAWN DATE: 6/29/04	



SIZE	DWG. NO.	REV.
A	GMC 2000(2) UPC	11
SCALE: 1:35	DO NOT SCALE DRAWING	SHEET 1 OF 1