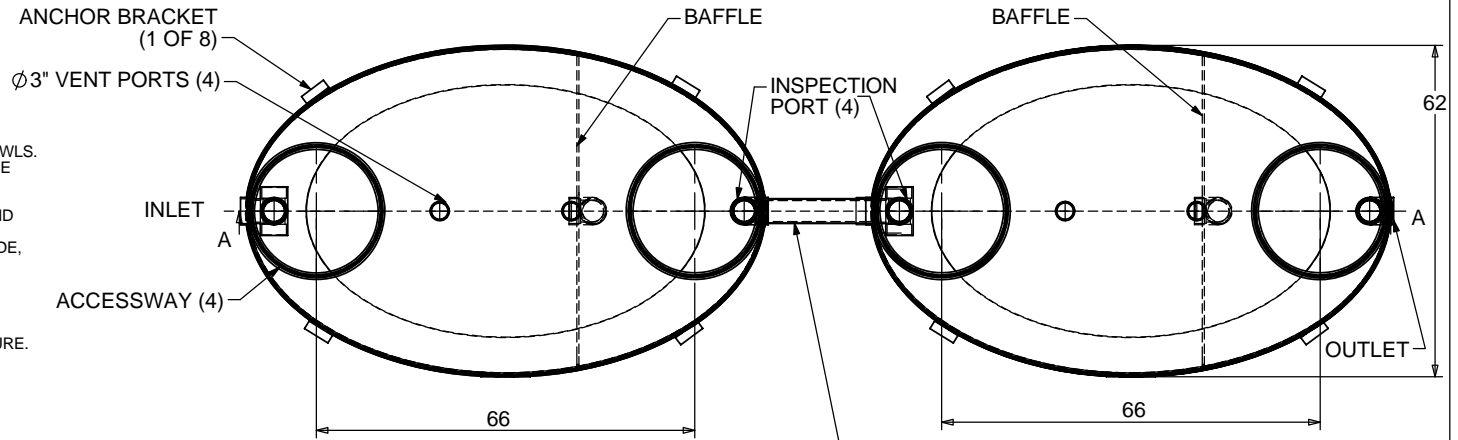


NOTES:

- FOR GRAVITY APPLICATIONS ONLY.
- ALL PROCEPTOR UNITS ARE MANUFACTURED WITH FIBERGLASS REINFORCED PLASTICS. PHYSICAL CHARACTERISTICS AND THICKNESS: POLYESTER RESIN AND E GLASS MINIMUM THICKNESS 1/4" WALL AND 3/8" TOP AND BOTTOM BOWLS.
- ALL PROCEPTOR UNITS ARE TO BE INSTALLED IN ACCORDANCE WITH THE MANUFACTURERS INSTALLATION INSTRUCTION.
- STANDARD PIPING IS SCH. 40 PVC.
- GMC/OMC 500 - 3000 UNITS COME STANDARD WITH 4" INLET AND OUTLET (OTHER PIPE SIZE OPTIONS AVAILABLE ON REQUEST).
- EXTENSION COLLAR TO BE ORDERED TO MEET FINISHED GRADE, CUT ON SITE FOR FINAL ADJUSTMENT AND CAULKED WITH SIKAFLEX BY CONTRACTOR FOR WATERTIGHT SEAL.
- COVERS AVAILABLE FOR H2O TRAFFIC LOADING, PEDESTRIAN LOADING OR ABOVE GROUND INSTALLATION.
- CONSULT GREEN TURTLE FOR OTHER SIZES.
- 30 YEAR WARRANTY AGAINST LEAKS, AND STRUCTURAL FAILURE.
- U.S. PATENT #5,746,912; CDN PATENT #2,195,822




US PAT. # 5746912

Proceptor[®]

MANUFACTURER: GREEN TURTLE TECHNOLOGIES

PROCEPTOR MODEL NUMBER: GMC 2000 UPC
 LIQUID CAPACITY (WORKING VOLUME): 2000 US GAL.
 RATED FLOW: 6 FT.
 STD. MAX BURIAL DEPTH TO TOP OF TANK: 1133 PSF
 MONTH/YEAR OF MANUFACTURE:

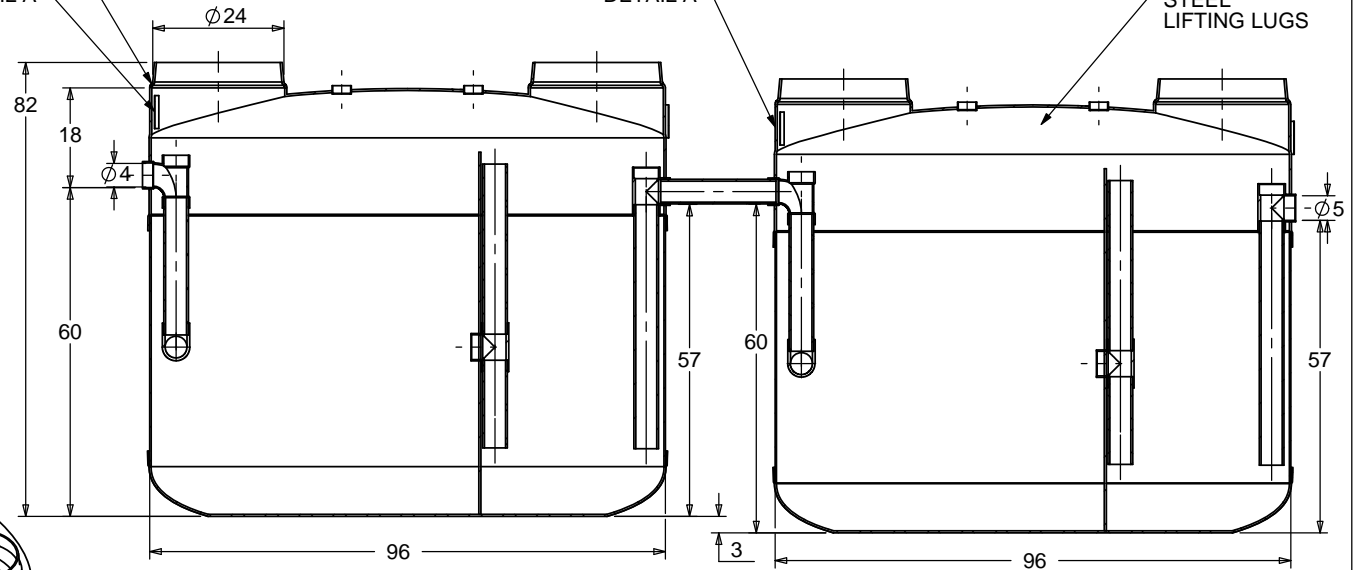
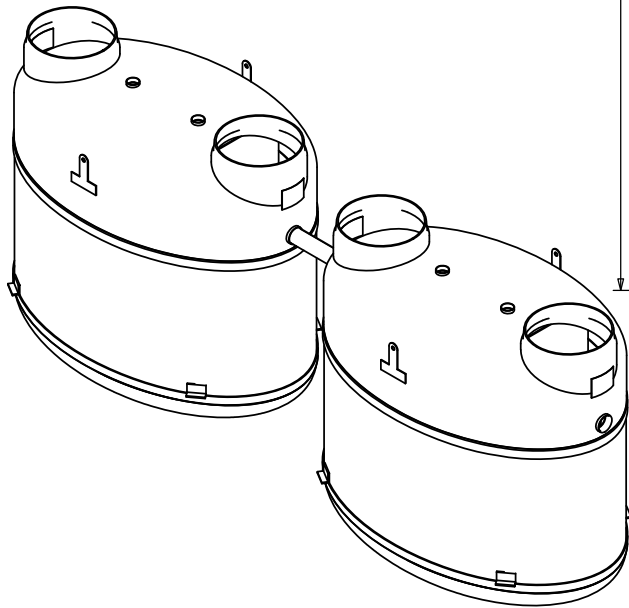


EXTENSION COLLAR SEAT

DETAIL A

DETAIL A

STEEL LIFTING LUGS



SECTION A-A
SCALE 1 : 35

**FOR UPC/IAPMO INSTALLATIONS
 APPROVED UNDER IAPMO / ANSI Z1001-2007
 MEETS ASTM C-581**

TITLE: PROCEPTOR F.O.G. SEPARATOR GMC 2000(2) UPC GALLON INTERCEPTOR 4" INLET & OUTLET ACCESSWAY		REV	DATE	DRAWN
PROJECT: WO:		1		
AVAILABLE OPTIONS (CHECKED IF REQUESTED)		2	SEPTEMBER 20, 2005	L. SIMKINS
<input type="checkbox"/> SUCTION PIPE FOR INDOOR INSTALLATION		3	JANUARY 2, 2007	L. SIMKINS
<input type="checkbox"/> ABOVE GROUND INSTALLATION		4	MAY 14, 2008	L. SIMKINS
<input type="checkbox"/> OIL/GREASE SENSOR ALARM		5	NOVEMBER 16, 2009	L. SIMKINS
<input type="checkbox"/> COALESCER (FOR 10ppm TREATMENT)		6	APRIL 3, 2012	L. SIMKINS
		7	SEPTEMBER 21, 2012	S. MANGAT
		8	OCTOBER 24, 2012	S. MANGAT
		9	NOV. 11, 2012	S. MANGAT
		10		
DRAWN BY: F. CHANDLER				
DRAWN DATE: 6/29/04				

Proceptor[®]
 by greenturtle[®]
 US 877 428 8187 CAN 877 966 9444
 www.greenturtletech.com

SIZE	DWG. NO.	REV.
A	GMC 2000(2) UPC	9
SCALE: 1:35	DO NOT SCALE DRAWING	SHEET 1 OF 1