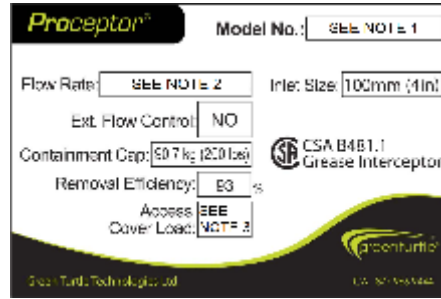


NOTES:

1. FOR GRAVITY APPLICATIONS ONLY.
2. ALL PROCEPTOR UNITS ARE MANUFACTURED WITH FIBERGLASS REINFORCED PLASTICS. PHYSICAL CHARACTERISTICS AND THICKNESS: POLYESTER RESIN AND E GLASS MINIMUM THICKNESS 1/4" WALL AND 3/8" TOP AND BOTTOM BOWLS.
3. ALL PROCEPTOR UNITS ARE TO BE INSTALLED IN ACCORDANCE WITH THE MANUFACTURER'S INSTALLATION INSTRUCTION.
4. STANDARD PIPING IS SCH. 40 PVC.
5. GMC/OMC 500 - 3000 UNITS COME STANDARD WITH 4" INLET AND OUTLET (OTHER PIPE SIZE OPTIONS AVAILABLE ON REQUEST).
6. EXTENSION COLLAR TO BE ORDERED TO MEET FINISHED GRADE, CUT ON SITE FOR FINAL ADJUSTMENT AND CAULKED WITH SIKAFLEX BY CONTRACTOR FOR WATERTIGHT SEAL.
7. COVERS AVAILABLE FOR H20 TRAFFIC LOADING, PEDESTRIAN LOADING OR ABOVE GROUND INSTALLATION.
8. CONSULT GREEN TURTLE FOR OTHER SIZES.
9. LIFETIME WARRANTY AGAINST LEAKS, AND STRUCTURAL FAILURE DUE TO MANUFACTURING DEFECTS.

CONSULT LOCAL AUTHORITIES FOR MINIMUM SIZE OF SEPARATORS



PROCEPTOR NOMINAL TANK DIMENSIONS (INCHES)

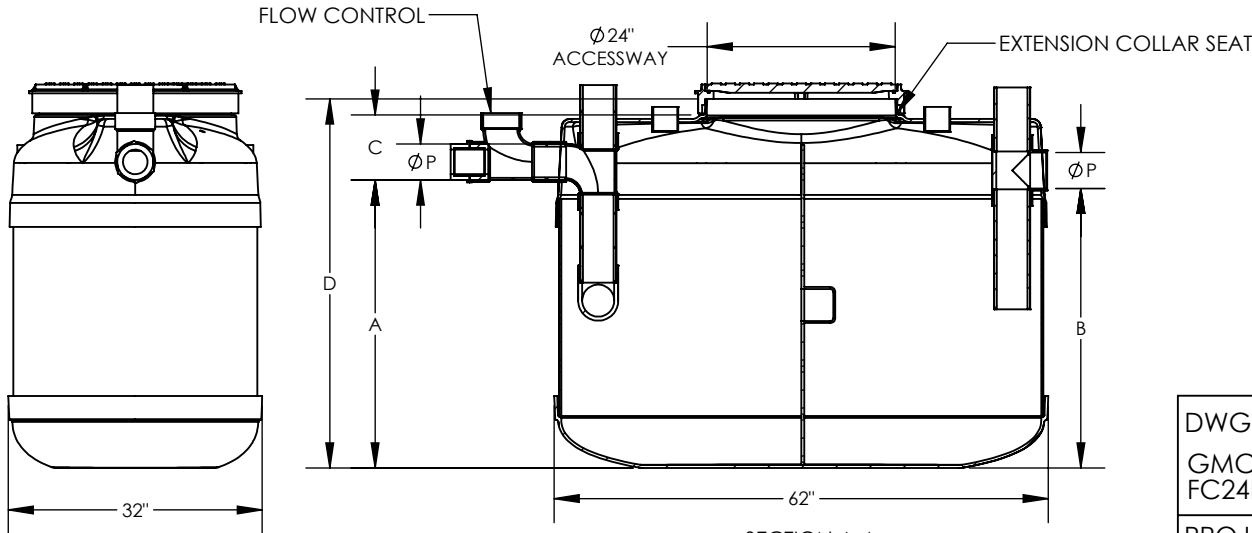
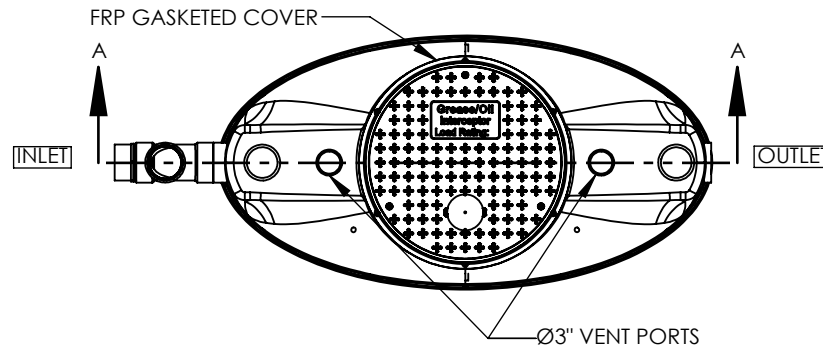
MODEL	VOLUME (US GAL)	GREASE CAPACITY (US GAL)	SOLIDS CAPACITY (US GAL)	PIPE SIZE (P)	INLET (A)	OUTLET (B)	BURIAL (C)	HEIGHT (D)	SKU
GMC 50 CSA	50	18	17	4	12	11	8	24	100300D0
GMC 100 CSA	100	42	23	4	20	19	8	32	101300D0
GMC 100 CSA	100	42	23	6	20	19	8	32	101301D0
GMC 200 CSA	200	90	72	4	36	35	8	48	103300D0
GMC 200 CSA	200	90	72	6	36	35	8	48	103301D0
GMC 250 CSA	250	119	91	4	44	43	8	56	104300D0
GMC 250 CSA	250	119	91	6	44	43	8	56	104301D0
GMC 300 CSA	300	156	103	4	52	51	8	64	105300D0
GMC 300 CSA	300	156	103	6	52	51	8	64	105301D0

NOTES:

1. IF 6" PIPING IS ORDERED, INSTALLER IS RESPONSIBLE FOR INSTALLING THE PROVIDED 4" PVC FLOW CONTROL

CSA PLATE NOTES:

- NOTE 1: MODEL NO. WILL BE SAME AS MODEL NAME E.G. GMC 100 CSA
 NOTE 2: FLOW RATE FOR GMC 50 CSA TO BE 189 L/MIN (50 USGPM)
 FLOW RATE FOR GMC 100-300 CSA TO BE 378 L/MIN (100 USGPM)
 NOTE 3: SEE COVER LABEL



SECTION A-A
SCALE 1 : 24

COVER WILL CARRY A LABEL SHOWING:
ACCESS COVER LOAD: S (CSA)
TEMPERATURE: -34° C TO 71° C

**MUST BE INSTALLED WITH FLOW CONTROL
DEVICE SUPPLIED WITH EACH UNIT**

DWG. TITLE: GMC 50-300 S24M CSA FC24FB					
PROJECT:					
SIZE A	DRAWING NOT TO SCALE	DWG #:	23-5711-S	REV.	1