

NOTES:

- FOR GRAVITY APPLICATIONS ONLY.
- ALL PROCEPTOR UNITS ARE MANUFACTURED WITH FIBERGLASS REINFORCED PLASTICS. PHYSICAL CHARACTERISTICS AND THICKNESS: POLYESTER RESIN AND E GLASS MINIMUM THICKNESS 1/4" WALL AND 3/8" TOP AND BOTTOM BOWLS.
- ALL PROCEPTOR UNITS ARE TO BE INSTALLED IN ACCORDANCE WITH THE MANUFACTURERS INSTALLATION INSTRUCTION.
- STANDARD PIPING IS SCH. 40 PVC.
- GMC/OMC 500 - 3000 UNITS COME STANDARD WITH 4" INLET AND OUTLET (OTHER PIPE SIZE OPTIONS AVAILABLE ON REQUEST).
- EXTENSION COLLAR TO BE ORDERED TO MEET FINISHED GRADE, CUT ON SITE FOR FINAL ADJUSTMENT AND CAULKED WITH SIKAFLEX BY CONTRACTOR FOR WATERTIGHT SEAL.
- COVERS AVAILABLE FOR H2O TRAFFIC LOADING, PEDESTRIAN LOADING OR ABOVE GROUND INSTALLATION.
- COVERS AVAILABLE FOR H2O TRAFFIC LOADING, PEDESTRIAN LOADING OR ABOVE GROUND INSTALLATION.
- CONSULT GREEN TURTLE FOR OTHER SIZES.
- 30 YEAR WARRANTY AGAINST LEAKS, AND STRUCTURAL FAILURE.
- U.S. PATENT #5,746,912; CDN PATENT #2,195,822

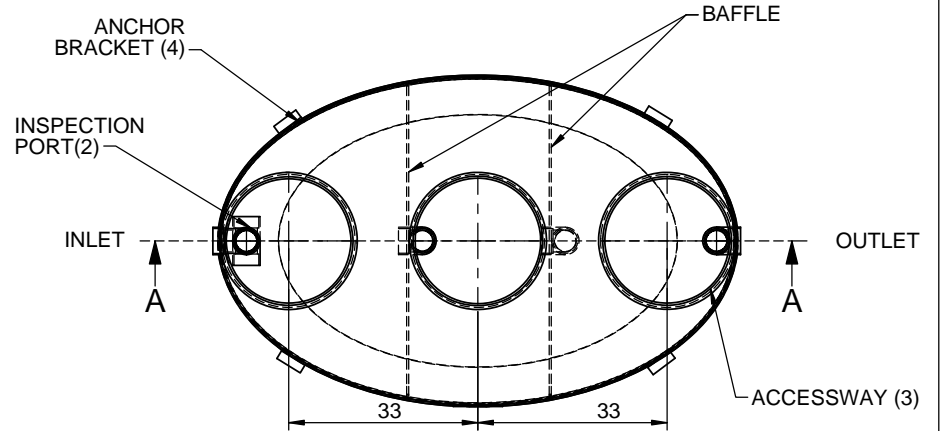
US PAT. # 5746912

Proceptor®

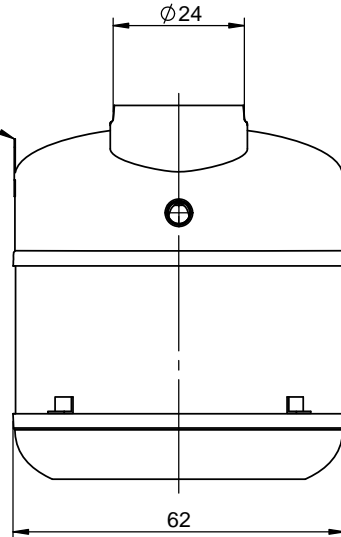


MANUFACTURER: GREEN TURTLE TECHNOLOGIES
 PROCEPTOR MODEL NUMBER: OMC 750 UPC
 LIQUID CAPACITY (WORKING VOLUME): 750 US GAL.
 RATED FLOW:
 STD. MAX BURIAL DEPTH TO TOP OF TANK: 6 FT.
 MAX VERTICAL LOAD: 1133 PSF
 MONTH/YEAR OF MANUFACTURE:

DETAIL "A"

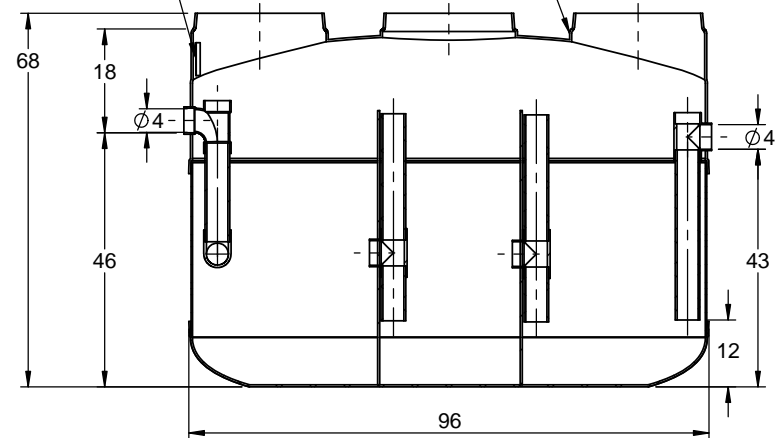


STEEL LIFTING LUGS

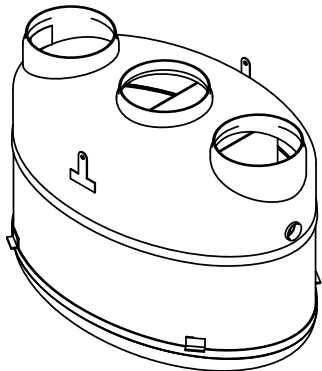


DETAIL "A" LABEL INSIDE AND OUTSIDE

EXTENSION COLLAR SEAT



SECTION A-A
SCALE 1 : 35



MANUFACTURED IN COMPLIANCE WITH IAPMO PS 80-2008

TITLE:	REV	DATE	DRAWN
PROCEPTOR OIL SEPARATOR OMC 750 UPC GALLON INTERCEPTOR 4" INLET & OUTLET ACCESSWAYS	1	6/15/04	F. CHANDLER
	2	9/15/05	L. SIMKINS
	3	DEC. 27, 2006	L. SIMKINS
	4	SEPTEMBER 15, 2009	L. SIMKINS
	5	NOVEMBER 17, 2009	L. SIMKINS
	6	APRIL 3, 2012	L. SIMKINS
	7	FEBRUARY 14, 2013	S. MANGAT
	8	NOV. 11, 2014	
	9		
	10		

PROJECT:	WO:
AVAILABLE OPTIONS (CHECKED IF REQUESTED)	
<input type="checkbox"/>	OIL/GREASE SENSOR ALARM
<input type="checkbox"/>	SUCTION PIPE FOR INDOOR INSTALLATION
<input type="checkbox"/>	COALESCER (FOR OIL ONLY) 10ppm TREATMENT
<input type="checkbox"/>	DOUBLE WALL CONSTRUCTION
<input type="checkbox"/>	ABOVE GROUND CONFIGURATION
DRAWN BY: F. CHANDLER	
DATE DRAWN: 6/15/04	

Proceptor®
 by greenturtle®
 US 877 428 8187 CAN 877 966 9444
 www.greenturtletech.com

SIZE	DWG. NO.	REV.
A	OMC 750 UPC	8
SCALE: 1:35	DO NOT SCALE DRAWING	SHEET 1 OF 1