

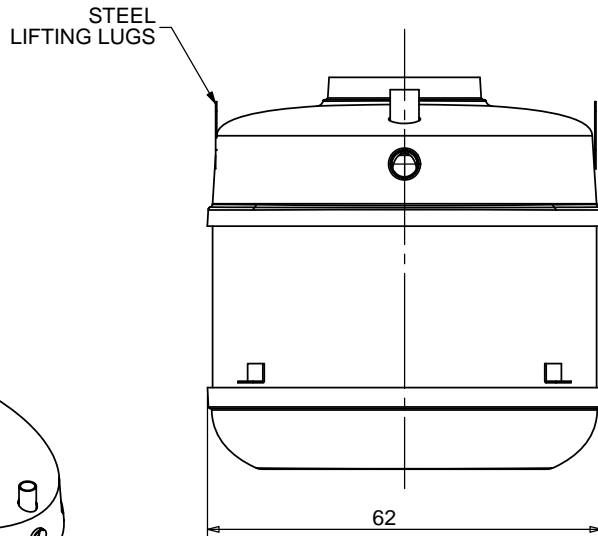
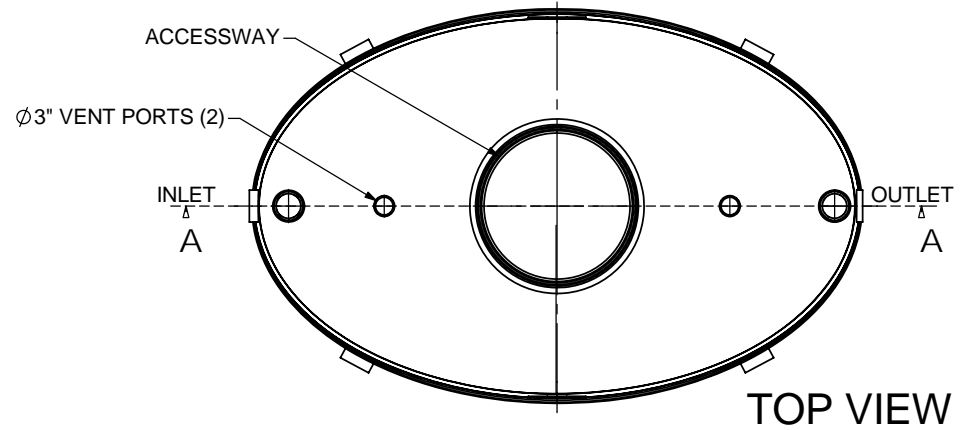
NOTES:

1. FOR GRAVITY APPLICATIONS ONLY.
2. ALL UNITS ARE MANUFACTURED WITH FIBERGLASS REINFORCED PLASTICS. PHYSICAL CHARACTERISTICS AND THICKNESS: POLYESTER RESIN AND E GLASS MINIMUM THICKNESS 1/4" WALL AND 3/8" TOP AND BOTTOM BOWLS.
3. ALL UNITS ARE TO BE INSTALLED IN ACCORDANCE WITH THE MANUFACTURERS INSTALLATION INSTRUCTION.
4. STANDARD PIPING IS SCHEDULE 40 PVC.
5. SMC 500 - 1500 UNITS COME STANDARD WITH 4" INLET (OTHER CUSTOM SIZES AVAILABLE ON REQUEST).
6. EXTENSION COLLAR TO BE ORDERED TO MEET FINISHED GRADE, CUT ON SITE FOR FINAL ADJUSTMENT AND CAULKED WITH SIKAFLEX BY CONTRACTOR IF WATERTIGHT SEAL REQUIRED.
7. COVERS AVAILABLE FOR H20 TRAFFIC LOADING, PEDESTRIAN LOADING OR ABOVE GROUND INSTALLATION.
8. CONSULT GREEN TURTLE FOR OTHER SIZES.
9. 30 YEAR WARRANTY AGAINST LEAKS, AND STRUCTURAL FAILURE.

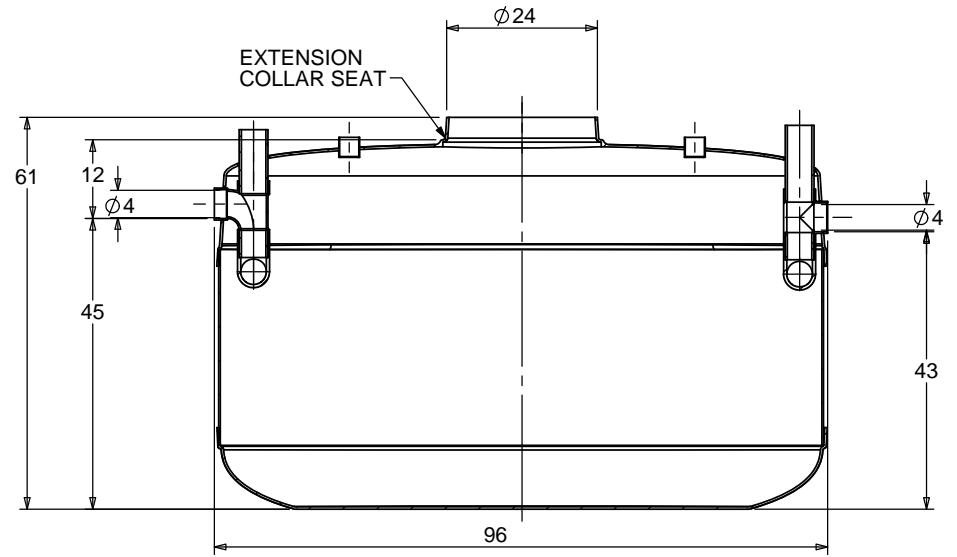
SPECIFICATIONS

PIPE SIZE: 4 INCH PVC SCH 40
 INSTALLATION: BURIED
 ACCESSWAY SIZE: 24 INCHES

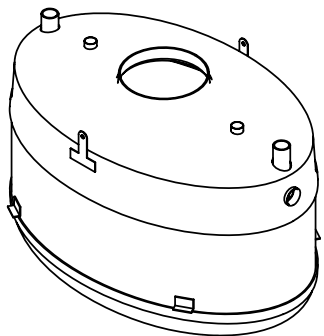
OPTIONS



SIDE VIEW



SECTION A-A



ISOMETRIC VIEW

TITLE: SOLIDS INTERCEPTOR SMC 750 US GALLONS		REV	DATE	DRAWN	
		1	APRIL 23, 2012		
		2	APRIL 21, 2017		
		3			
		4			
		5			
		6			
		7			
		8			
		9			
ALL DIMENSIONS IN INCHES		10			
PROJECT:	WO:	DRAWN BY: LISA SIMKINS			SIZE A DWG. NO. SMC 750
NOTES:		DRAWN DATE: APRIL 22, 2008			REV. 2
		SCALE: 1:30 DO NOT SCALE DRAWING			SHEET 1 OF 1