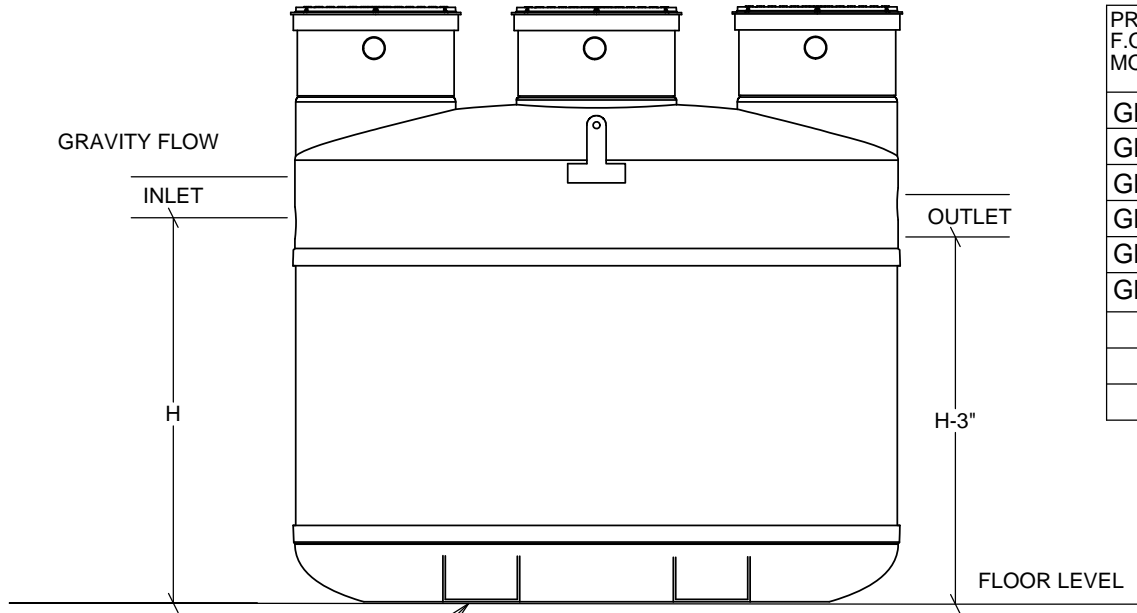


GMC 500-P TO 2000-P TRIPLE MANWAY (UPC) ABOVE GROUND INSTALLATION

NOTES:

1. ENSURE FLOOR IS LEVEL, SMOOTH, AND IS ABLE TO SUPPORT THE WEIGHT OF THE TANKS FULL OF WATER AT INSTALLATION LOCATION.
2. MOVE TANKS INTO POSITION. CHECK FIT AND LOCATION OF INLET, OUTLET AND VENT PIPING (WHERE APPLICABLE).
3. ENSURE ACCESSWAY IS ACCESSIBLE FOR COVER REMOVAL AND PUMPOUT AS WELL AS ACCESS TO THE INTERIOR. ENSURE ALL OTHER PORTS ARE ACCESSIBLE FOR INSTALLATION AND MAINTENANCE. ALARM PROBES (IF SUPPLIED) SHOULD HAVE SUFFICIENT HEADSPACE FOR REMOVAL TO CALIBRATE OR SERVICE.
4. ENSURE AREA AROUND TANK IS HEATED TO PREVENT FREEZING OF WATER IN TANK AND PIPES.
5. THE STABILIZATION SUPPORTS MAY BE AFFIXED TO FLOOR IF DESIRED.
6. SEISMIC RESTRAINTS TO BE PROVIDED BY OTHERS IF REQUIRED BY LOCAL AUTHORITIES
7. INSTALL INLET, OUTLET AND VENT PIPES TO MEET LOCAL PLUMBING CODE.
8. PRIOR TO COMMENCING OPERATIONS, FILL TANK WITH CLEAN WATER.
9. US PATENT # 5,746,912; CDN PATENT # 2,195,822
10. PROCEPTOR SEPARATORS MUST BE INSTALLED IN ACCORDANCE WITH ALL RELEVANT FEDERAL, PROVINCIAL/STATE, AND LOCAL CODES INCLUDING LOCAL PLUMBING CODE.



PROCEPTOR F.O.G. SEPARATOR MODEL	INLET INVERT TO TANK BOTTOM (H)	WEIGHT OF TANK FULL OF WATER (BOTTOM TO OUTLET INVERT) (lbs)
GMC 500-P UPC	33"	4740
GMC 750-P UPC	46"	7055
GMC 1000-P UPC	60"	9220
GMC 1300-P UPC	75"	11820
GMC 1500-P UPC	83"	13555
GMC 2000-P UPC	110"	17721

ABOVE GROUND STABILIZERS
(REQUIRED ON
MODELS 750 AND LARGER)

TITLE: PROCEPTOR F.O.G. SEPARATOR INSTALLATION PROCEDURE ABOVE GROUND TRIPLE MANWAY ALL DIMENSIONS IN INCHES		REV	DATE	DRAWN
PROJECT: _____ WO: _____		1		
		2		
		3		
		4		
		5		
		6		
		7		
		8		
		9		
		10		
DRAWN BY: L. SIMKINS				
DRAWN DATE: 2018/08/08				



SIZE A	DWG. NO. INSTALL GMC 500-P-2000-P UPC ABOVE GROUND	REV. 0
SCALE: 1:35	DO NOT SCALE DRAWING	SHEET 1 OF 1