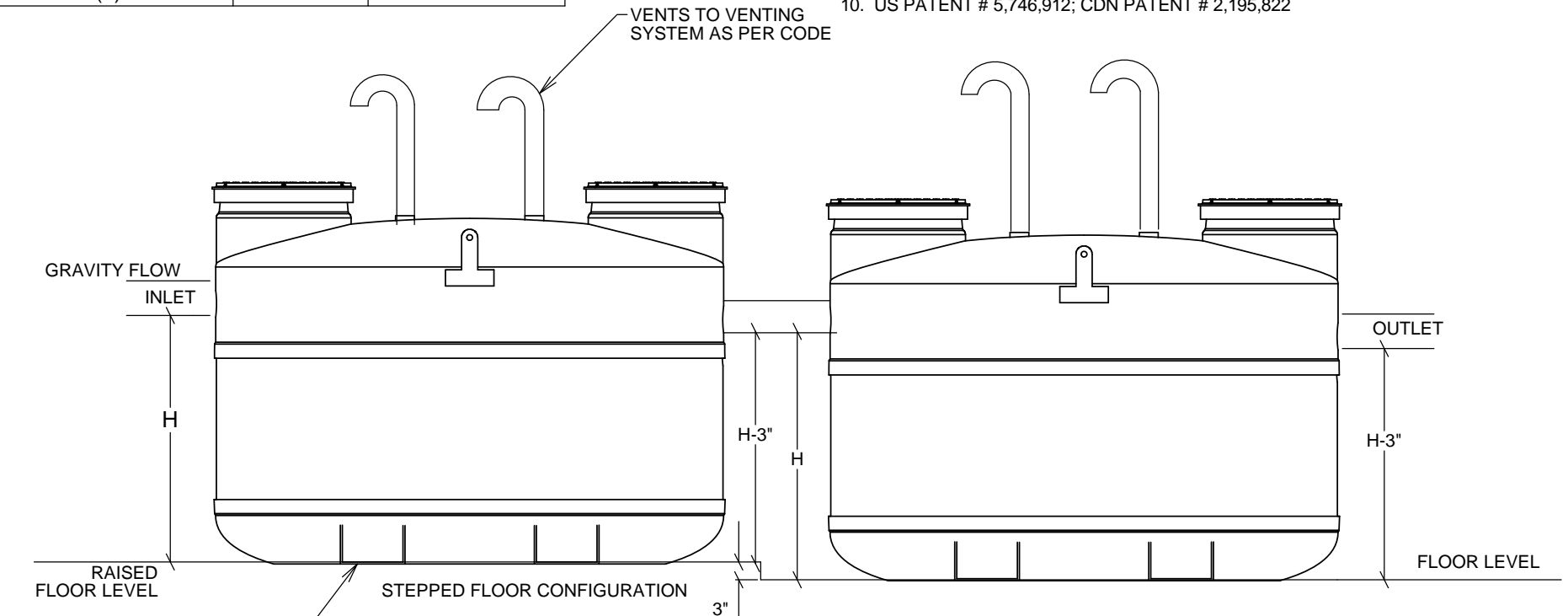


PROCEPTOR GMC 1000(2), 1500(2), 2000(2), 2600(2), 3000(2) DUAL MANWAY (UPC) ABOVE GROUND INSTALLATION

PROCEPTOR F.O.G. SEPARATOR MODEL	INLET INVERT TO TANK BOTTOM (H*)	WEIGHT OF TANKS FULL OF WATER (lbs)
GMC 1000(2) UPC	33"	9480
GMC 1500(2) UPC	46"	13810
GMC 2000(2) UPC	60"	18140
GMC 2600(2) UPC	75"	23340
GMC 3000(2) UPC	86"	26860

NOTES:

- ENSURE FLOOR IS ABLE TO SUPPORT THE WEIGHT OF THE TANKS FULL OF WATER AT INSTALLATION LOCATION.
- MOVE TANKS INTO POSITION. CHECK FIT AND LOCATION OF INLET, OUTLET AND VENT PIPING.
- CONNECT OUTLET OF UPSTREAM TANK WITH INLET OF DOWNSTREAM TANK.
- ENSURE $\varnothing 24"$ ACCESSWAYS ARE ACCESSIBLE FOR COVER REMOVAL AND PUMPOUT AS WELL AS ACCESS TO THE INTERIOR. ENSURE ALL OTHER PORTS ARE ACCESSIBLE FOR INSTALLATION AND MAINTENANCE. ALARM PROBES (IF SUPPLIED) SHOULD HAVE SUFFICIENT HEADSPACE FOR REMOVAL TO CALIBRATE OR SERVICE.
- ENSURE AREA AROUND TANK IS HEATED TO PREVENT FREEZING OF WATER IN TANK AND PIPES.
- THE STABILIZER BRACKETS MAY BE AFFIXED TO FLOOR IF DESIRED.
- SEISMIC RESTRAINTS TO BE PROVIDED BY OTHERS IF REQUIRED BY LOCAL AUTHORITIES
- CONNECT AT LEAST ONE VENT FROM THE TOP OF EACH TANK TO THE VENTING SYSTEM. CONNECTING TWO VENTS FROM THE TOP OF EACH TANK IS OPTIMAL. INSTALL INLET, OUTLET AND VENT PIPES TO MEET LOCAL PLUMBING CODE.
- PRIOR TO COMMENCING OPERATIONS, FILL TANK WITH CLEAN WATER.
- US PATENT # 5,746,912; CDN PATENT # 2,195,822



ABOVE GROUND STABILIZERS (REQUIRED ON MODELS 750 AND LARGER)

(PROCEPTOR SEPARATORS MUST BE INSTALLED IN ACCORDANCE WITH ALL RELEVANT FEDERAL, PROVINCIAL/STATE, AND LOCAL CODES INCLUDING LOCAL PLUMBING CODE)

TITLE: PROCEPTOR F.O.G. SEPARATOR INSTALLATION PROCEDURE ABOVE GROUND DUAL MANWAY		REV	DATE	DRAWN
		1	SEPT. 17, 2015	
		2	MAY 02, 2016	
		3	MAY 25, 2017	
		4		
		5		
		6		
		7		
		8		
		9		
		10		
PROJECT: WO:		DRAWN BY: S. MANGAT		
		DRAWN DATE: APRIL 02, 2014		

Proceptor®

ZURN®

SIZE: A	DWG. NO.: INSTALL GMC TWO TANK UPC ABOVE GROUND	REV. 3
SCALE: NTS	DO NOT SCALE DRAWING	SHEET 1 OF 1