

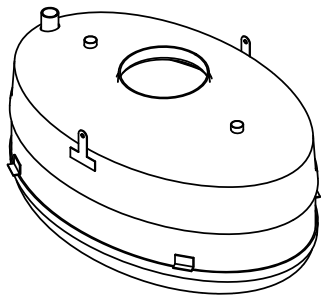
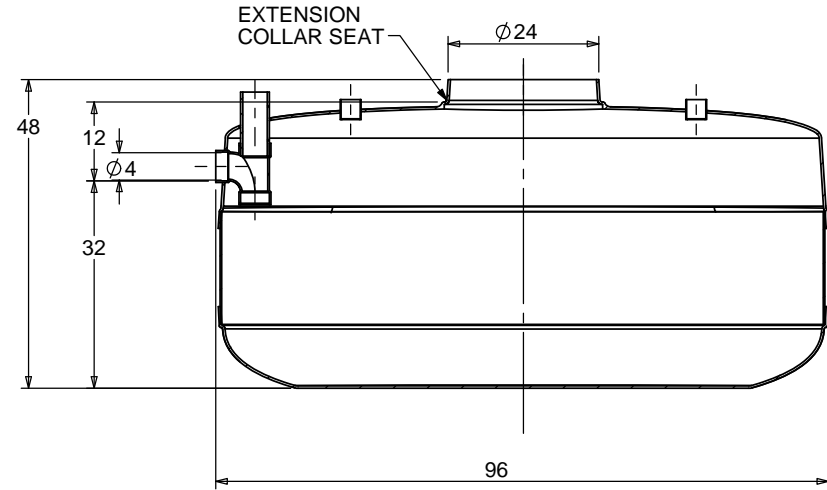
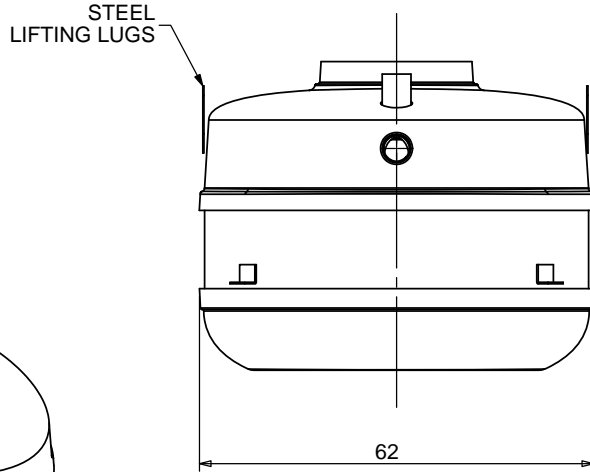
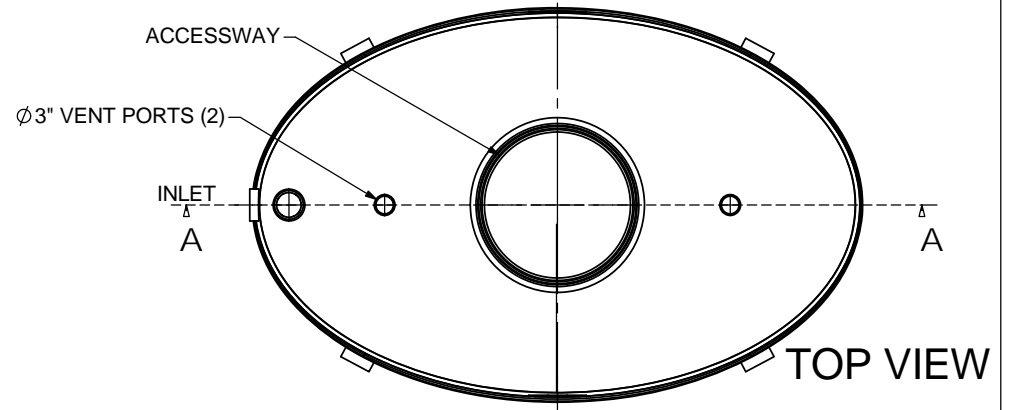
NOTES:

1. FOR GRAVITY APPLICATIONS ONLY.
2. ALL GREEN TURTLE™ UNITS ARE MANUFACTURED WITH FIBERGLASS REINFORCED PLASTICS. PHYSICAL CHARACTERISTICS AND THICKNESS: POLYESTER RESIN AND E GLASS MINIMUM THICKNESS 1/4" WALL AND 3/8" TOP AND BOTTOM BOWLS.
3. ALL UNITS ARE TO BE INSTALLED IN ACCORDANCE WITH THE MANUFACTURERS INSTALLATION INSTRUCTION.
4. STANDARD PIPING IS SCHEDULE 40 PVC.
5. EHT 500 - 1500 UNITS COME STANDARD WITH 4" INLET (OTHER CUSTOM SIZES AVAILABLE ON REQUEST).
6. EXTENSION COLLAR TO BE ORDERED TO MEET FINISHED GRADE, CUT ON SITE FOR FINAL ADJUSTMENT AND CAULKED WITH SIKAFLEX BY CONTRACTOR FOR WATERTIGHT SEAL.
7. COVERS AVAILABLE FOR H2O TRAFFIC LOADING, PEDESTRIAN LOADING OR ABOVE GROUND INSTALLATION.
8. CONSULT GREEN TURTLE FOR OTHER SIZES.
9. 30 YEAR WARRANTY AGAINST LEAKS, AND STRUCTURAL FAILURE.
10. U.S. PATENT #5,746,912; CDN PATENT #2,195,822

SPECIFICATIONS

PIPE SIZE: 4 INCH PVC SCH 40
 INSTALLATION: BURIED
 ACCESSWAY SIZE: 24 INCHES

OPTIONS



TITLE: HOLDING TANK EHT 500 US GALLONS		REV	DATE	DRAWN	
ALL DIMENSIONS IN INCHES PROJECT: WO:		1			
		2			
		3	JAN. 03, 2007	L. SIMKINS	
		4	MARCH 01, 2007	L. SIMKINS	
		5	JULY 18, 2007	L. SIMKINS	
		6	APRIL 23, 2008	L. SIMKINS	
		7	APRIL 26, 2012	L. SIMKINS	
		8	APRIL 24, 2017		
		9			
		10			
NOTES:		DRAWN BY: F. CHANDLER			SIZE A
		DRAWN DATE: 10/5/04			DWG. NO. EHT 500
		SCALE: 1:30			DO NOT SCALE DRAWING
		SHEET 1 OF 1			REV. 8