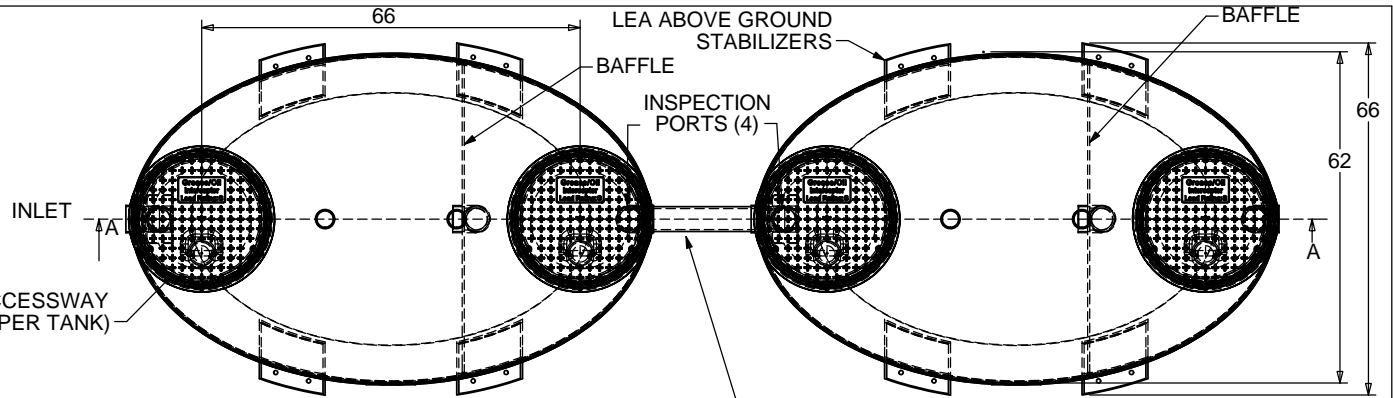



**NOTES:**

1. FOR GRAVITY APPLICATIONS ONLY.
2. ALL PROCEPTOR UNITS ARE MANUFACTURED WITH FIBERGLASS REINFORCED PLASTICS. PHYSICAL CHARACTERISTICS AND THICKNESS: POLYESTER RESIN AND E GLASS. MINIMUM THICKNESS 1/4" WALL AND 3/8" TOP AND BOTTOM BOWLS.
3. ALL PROCEPTOR UNITS ARE TO BE INSTALLED IN ACCORDANCE WITH THE MANUFACTURERS INSTALLATION INSTRUCTION.
4. STANDARD PIPING IS SCH. 40 PVC.
5. GMC/OMC 500 - 3000 UNITS COME STANDARD WITH 4" INLET AND OUTLET (OTHER PIPE SIZE OPTIONS AVAILABLE ON REQUEST).
6. EXTENSION COLLAR TO BE ORDERED TO MEET FINISHED GRADE, CUT ON SITE FOR FINAL ADJUSTMENT AND CAULKED WITH SIKAFLEX BY CONTRACTOR FOR WATERTIGHT SEAL.
7. COVERS AVAILABLE FOR H2O TRAFFIC LOADING, PEDESTRIAN LOADING OR ABOVE GROUND INSTALLATION.
8. CONSULT GREEN TURTLE FOR OTHER SIZES.
9. 30 YEAR WARRANTY AGAINST LEAKS, AND STRUCTURAL FAILURE.
10. U.S. PATENT #5,746,912; CDN PATENT #2,195,822



**TWO GMC 1300 UPC IN SERIES**

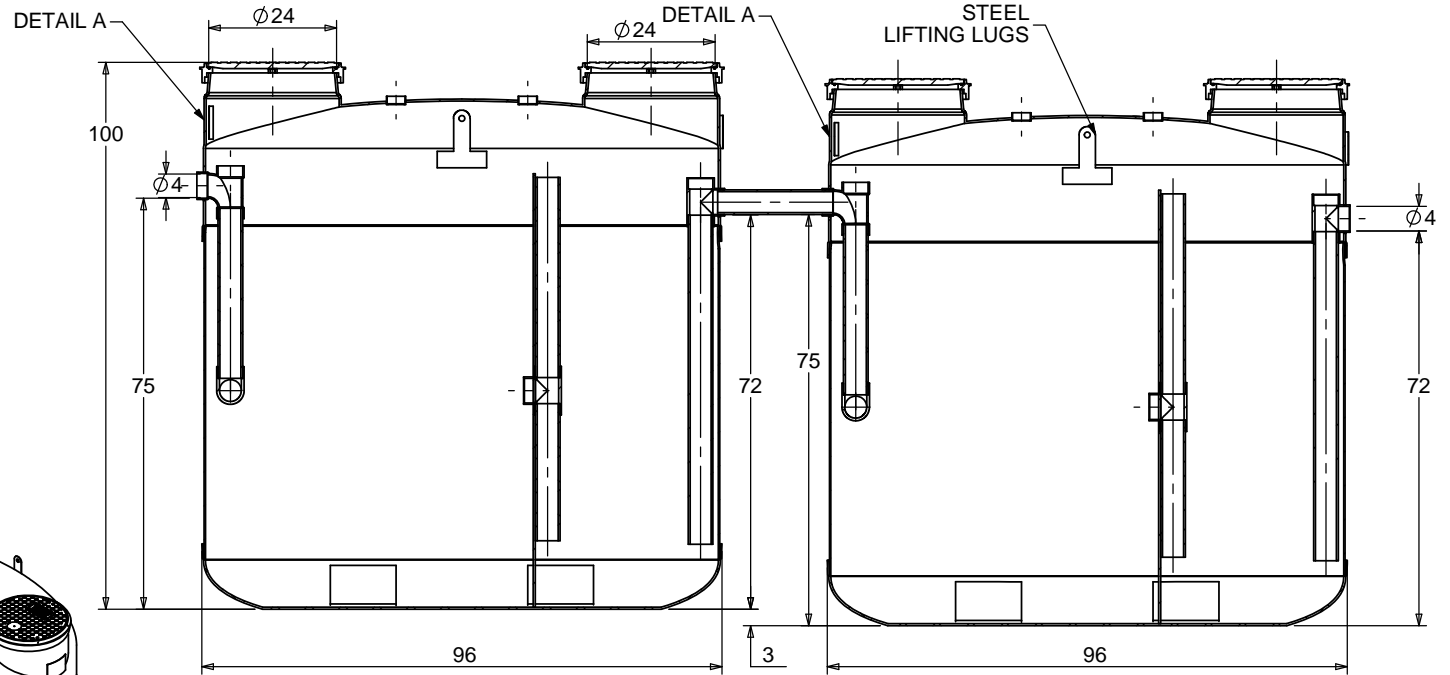
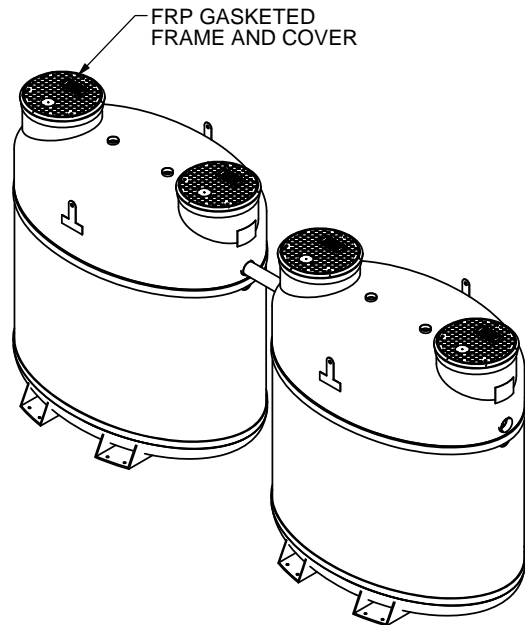
US PAT. # 5746912

**Proceptor®** 

MANUFACTURER: ZURN GREEN TURTLE

PROCEPTOR MODEL NUMBER: GMC 1300 UPC  
 LIQUID CAPACITY (WORKING VOLUME): 1300 US GAL.  
 RATED FLOW:  
 STD. MAX BURIAL DEPTH TO TOP OF TANK: 6 FT.  
 MAX VERTICAL LOAD: 1133 PSF  
 MONTH/YEAR OF MANUFACTURE:

**DETAIL A**



**SECTION A-A**  
SCALE 1 : 35

**FOR UPC/IAPMO INSTALLATIONS**

**FOR UPC/IAPMO INSTALLATIONS  
 APPROVED UNDER IAPMO / ANSI Z1001-2007  
 MEETS ASTM C-581**

REV	DATE	DRAWN
11	MAY 15, 2017	
2	SEPTEMBER 20, 2005	L. SIMKINS
3	JANUARY 2, 2007	L. SIMKINS
4	MAY 14, 2008	L. SIMKINS
5	NOVEMBER 16, 2009	L. SIMKINS
6	APRIL 3, 2012	L. SIMKINS
7	OCTOBER 03, 2012	S. MANGAT
8	FEBRUARY 12, 2013	S. MANGAT
9	NOV. 11, 2014	
10	SEPT. 01, 2016	

TITLE: PROCEPTOR F.O.G. SEPARATOR  
 GMC 2600(2) UPC GALLON INTERCEPTOR  
 4" INLET & OUTLET ACCESSWAY

PROJECT: WO:

AVAILABLE OPTIONS (CHECKED IF REQUESTED)

<input type="checkbox"/>	SUCTION PIPE FOR INDOOR INSTALLATION
<input type="checkbox"/>	GREASE SENSOR ALARM
<input checked="" type="checkbox"/>	ABOVE GROUND INSTALLATION

DRAWN BY: F. CHANDLER  
 DRAWN DATE: 6/29/04



SIZE	DWG. NO.	REV.
<b>A</b>	GMC 2600(2) UPC	<b>11</b>
SCALE: 1:35	DO NOT SCALE DRAWING	SHEET 1 OF 1