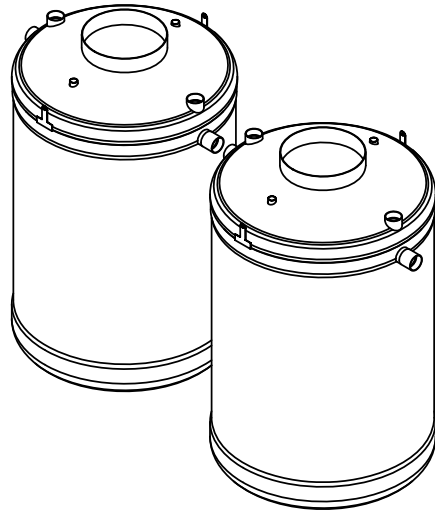
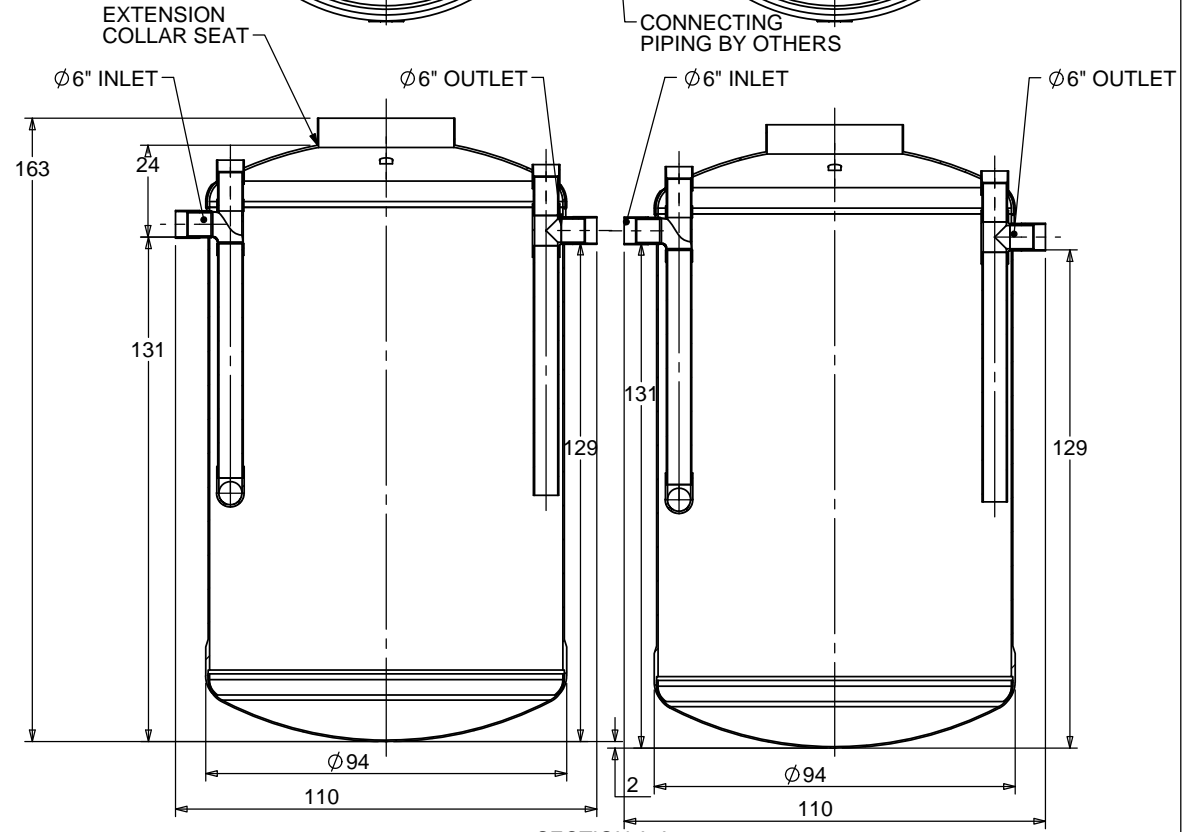
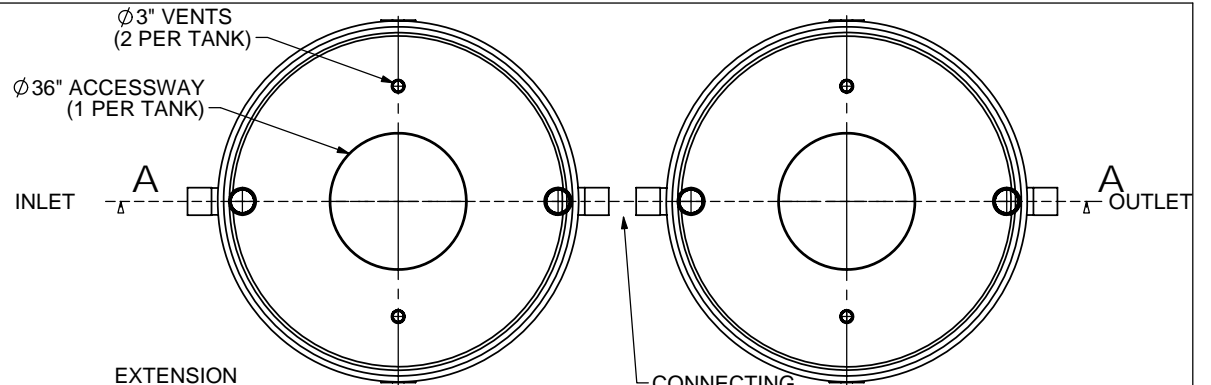


**NOTES:**

1. FOR GRAVITY APPLICATIONS ONLY.
2. ALL PROCEPTOR UNITS ARE MANUFACTURED WITH FIBERGLASS REINFORCED PLASTICS; PHYSICAL CHARACTERISTICS: ISOPHTHALIC POLYESTER RESIN WITH E GLASS.
3. ALL PROCEPTOR UNITS ARE TO BE INSTALLED IN ACCORDANCE WITH THE MANUFACTURERS INSTALLATION INSTRUCTION.
4. STANDARD PIPING IS SCH. 40 PVC.
5. GMC/OMC 4,000 - 10,000 UNITS COME STANDARD WITH 6" INLET AND OUTLET (OTHER CUSTOM SIZES AVAILABLE AT EXTRA CHARGE).
6. ADVISE GREEN TURTLE OF INVERT DEPTH; DEEP INSTALLATIONS MAY REQUIRE CUSTOM REINFORCEMENT.
7. EXTENSION COLLAR TO BE ORDERED TO MEET FINISHED GRADE, CUT ON SITE FOR FINAL ADJUSTMENT, AND CAULKED WITH SIKAFLEX BY CONTRACTOR FOR WATERTIGHT SEAL.
8. COVERS AVAILABLE FOR H2O TRAFFIC LOADING, PEDESTRIAN LOADING OR ABOVE GROUND INSTALLATION.
9. CONSULT GREEN TURTLE FOR OTHER SIZES.
10. 30 YEAR WARRANTY AGAINST LEAKS, AND STRUCTURAL FAILURE.
11. U.S. PATENT #5,746,912; CDN PATENT #2,195,822



TOTAL WET VOLUME: 7000 GAL  
 MAX. GREASE CAPACITY: 3396 GAL  
 MAX SOLIDS CAPACITY: 2811 GAL

CONSULT LOCAL AUTHORITIES FOR  
 MINIMUM SIZE OF SEPARATORS

TITLE: PROCEPTOR SEPARATOR  
 GMC 7000(2) GALLON INTERCEPTOR  
 6" INLET & OUTLET  
 36" ACCESSWAY  
 ALL DIMENSIONS IN INCHES  
 PROJECT: WO:

AVAILABLE OPTIONS (CHECKED IF REQUESTED)	
<input type="checkbox"/>	OIL OR GREASE SENSOR ALARM
<input type="checkbox"/>	SUCTION PIPE FOR INDOOR INSTALLATION
<input type="checkbox"/>	ABOVE GROUND INSTALLATION

REV	DATE	DRAWN
1	JANUARY 8, 2008	L. SIMKINS
2	NOVEMBER 12, 2009	L. SIMKINS
3	MARCH 29, 2012	L. SIMKINS
4	SEPT. 10, 2014	
5	FEB. 10, 2015	
6		
7		
8		
9		
10		

DRAWN BY: L. SIMKINS  
 DRAWN DATE: FEBRUARY 9, 2007

**Proceptor**<sup>®</sup>  
 by greenturtle<sup>®</sup>  
 US 877 428 8187 CAN 877 966 9444  
[www.greenturtletech.com](http://www.greenturtletech.com)

SIZE	DWG. NO.	REV.
A	GMC 7000(2)	5

SCALE: 1:50 DO NOT SCALE DRAWING SHEET 1 OF 1