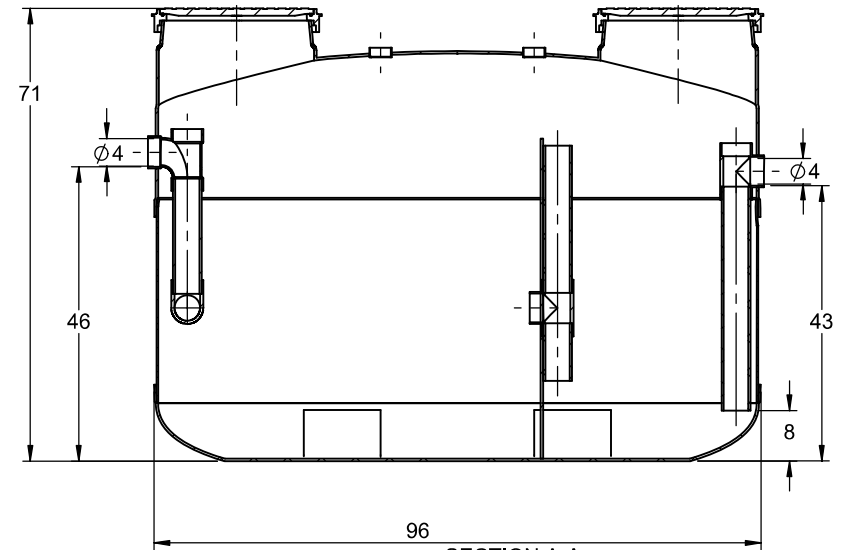
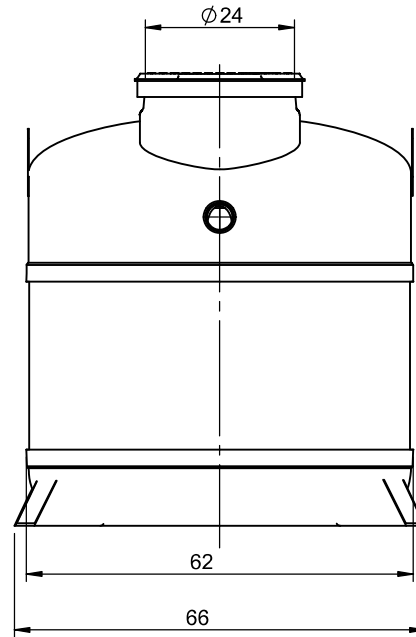
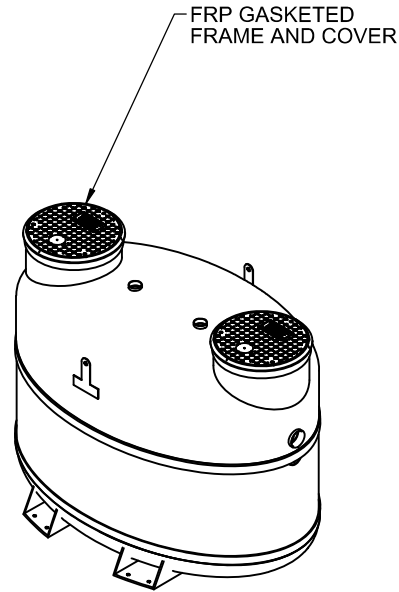
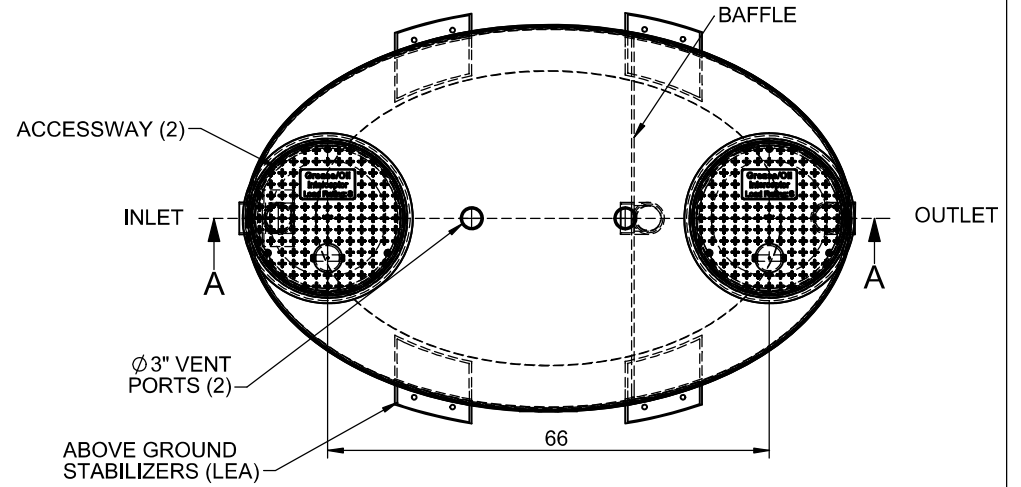


NOTES:

1. FOR GRAVITY APPLICATIONS ONLY.
2. ALL PROCEPTOR UNITS ARE MANUFACTURED WITH FIBERGLASS REINFORCED PLASTICS. PHYSICAL CHARACTERISTICS AND THICKNESS: POLYESTER RESIN AND E GLASS MINIMUM THICKNESS 1/4" WALL AND 3/8" TOP AND BOTTOM BOWLS.
3. ALL PROCEPTOR UNITS ARE TO BE INSTALLED IN ACCORDANCE WITH THE MANUFACTURERS INSTALLATION INSTRUCTION.
4. STANDARD PIPING IS SCH. 40 PVC.
5. GMC/OMC 500 - 3000 UNITS COME STANDARD WITH 4" INLET AND OUTLET (OTHER PIPE SIZE OPTIONS AVAILABLE ON REQUEST).
6. EXTENSION COLLAR TO BE ORDERED TO MEET FINISHED GRADE, CUT ON SITE FOR FINAL ADJUSTMENT AND CAULKED WITH SIKAFLEX BY CONTRACTOR FOR WATERTIGHT SEAL.
7. COVERS AVAILABLE FOR H2O TRAFFIC LOADING, PEDESTRIAN LOADING OR ABOVE GROUND INSTALLATION.
8. CONSULT GREEN TURTLE FOR OTHER SIZES.
9. 30 YEAR WARRANTY AGAINST LEAKS, AND STRUCTURAL FAILURE.
10. U.S. PATENT #5,746,912; CDN PATENT #2,195,822



SECTION A-A
SCALE 1 : 30

FOR FLORIDA INSTALLATIONS

**FOR FLORIDA INSTALLATIONS
70-126-07D-C4**

Tested by IAPMO to ASTM C-581 to meet pH 3.0 to 10.0

TITLE: PROCEPTOR F.O.G. SEPARATOR GMC 750 FL 4" 24"		GALLON INTERCEPTOR INLET & OUTLET ACCESSWAY	
PROJECT:	WO:	REV	DATE
		11	
		2	1/2005
		3	8/9/2005
		4	27/12/5
		5	
		6	NOVEMBER 16, 2009
		7	APRIL 3, 2012
		8	APRIL 02, 2014
		9	JULY 28, 2015
		10	MAY 27, 2016
		DRAWN BY: F CHANDLER	
		DATE DRAWN: 6/15/04	



SIZE	DWG. NO.	REV.
A	GMC 750 FL	11
SCALE:1:30	DO NOT SCALE DRAWING	SHEET 1 OF 1