


NOTES:

1. FOR GRAVITY APPLICATIONS ONLY.
2. ALL PROCEPTOR® UNITS ARE MANUFACTURED WITH FIBERGLASS REINFORCED PLASTICS. PHYSICAL CHARACTERISTICS AND THICKNESS: POLYESTER RESIN AND E GLASS MINIMUM THICKNESS 1/4" WALL AND 3/8" TOP AND BOTTOM BOWLS.
3. ALL PROCEPTOR® UNITS ARE TO BE INSTALLED IN ACCORDANCE WITH THE MANUFACTURERS INSTALLATION INSTRUCTION.
4. STANDARD PIPING IS SCH. 40 PVC.
5. GMC/OMC/SMC 50 - 300 UNITS COME STANDARD WITH 4" INLET AND OUTLET (OTHER CUSTOM SIZES AVAILABLE AT EXTRA CHARGE).
6. EXTENSION COLLAR TO BE ORDERED TO MEET FINISHED GRADE, CUT ON SITE FOR FINAL ADJUSTMENT AND CAULKED WITH SIKAFLEX BY CONTRACTOR FOR WATERTIGHT SEAL.
7. COVERS AVAILABLE FOR H2O TRAFFIC LOADING, PEDESTRIAN LOADING OR ABOVE GROUND INSTALLATION.
8. CONSULT GREEN TURTLE™ FOR OTHER SIZES.
9. 30 YEAR WARRANTY AGAINST LEAKS, AND STRUCTURAL FAILURE.
10. U.S. PATENT #5,746,912; CDN PATENT #2,195,822

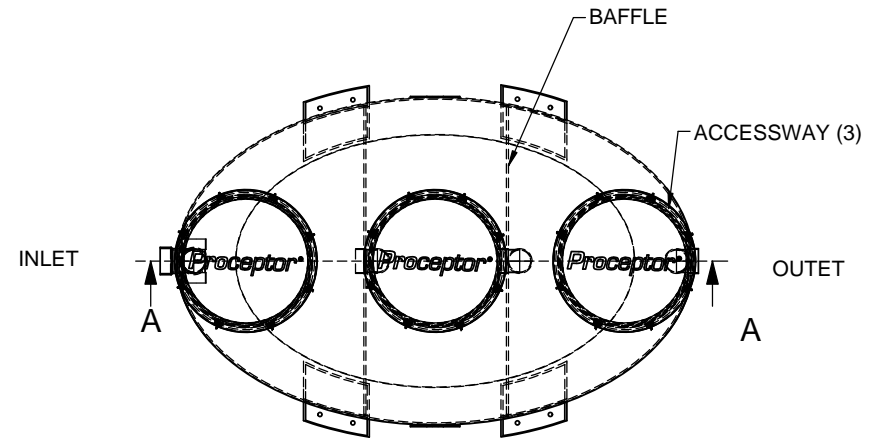
US PAT. # 5746912

Proceptor® 

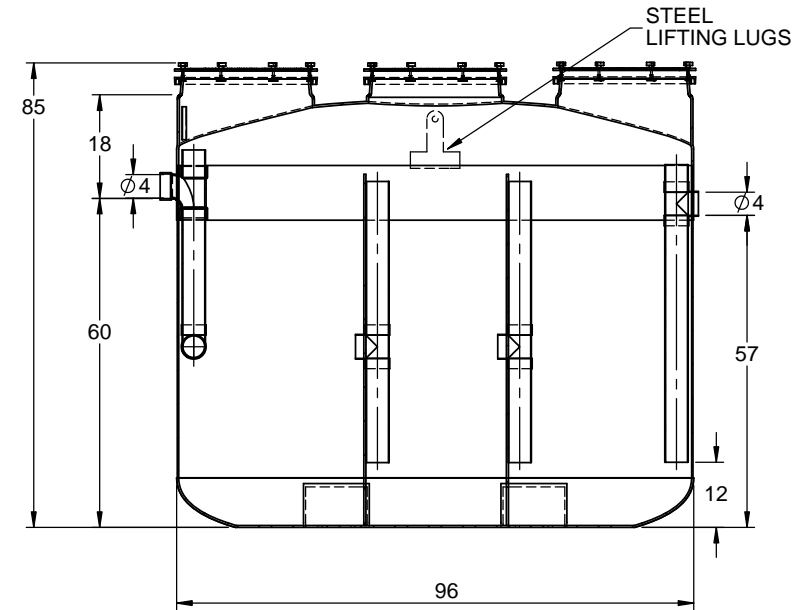
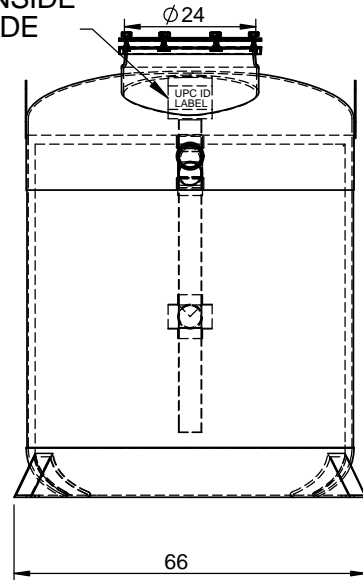
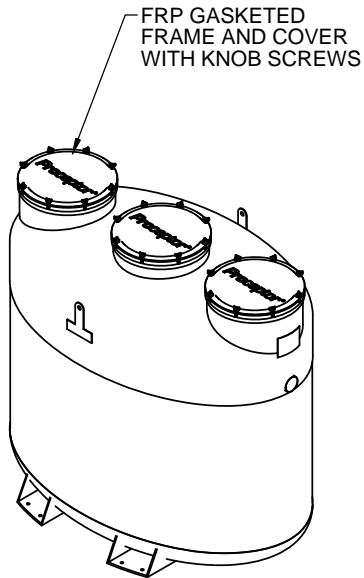
MANUFACTURER: GREEN TURTLE TECHNOLOGIES

PROCEPTOR MODEL NUMBER: OMC 1000 UPC
 LIQUID CAPACITY (WORKING VOLUME): 1000 US GAL.
 RATED FLOW: 6 FT.
 STD. MAX BURIAL DEPTH TO TOP OF TANK: 1133 PSF
 MAX VERTICAL LOAD: 1133 PSF
 MONTH/YEAR OF MANUFACTURE:

DETAIL "A"



DETAIL "A"
 LABEL INSIDE
 & OUTSIDE



UPC/IAPMO APPROVED

SECTION A-A
 SCALE 1 : 35

MANUFACTURED IN COMPLIANCE WITH
 IAPMO PS 80-2008

TITLE: PROCEPTOR OIL SEPARATOR		REV	DATE	DRAWN
OMC 1000 UPC GALLON INTERCEPTOR		1	6/15/04	F. CHANDLER
4" INLET & OUTLET		2	9/15/05	L. SIMKINS
24" ACCESSWAY		3	12/20/05	L. SIMKINS
PROJECT: WO:		4	DEC. 27, 2006	L. SIMKINS
AVAILABLE OPTIONS (CHECKED IF REQUESTED)		5	MAY 14, 2008	L. SIMKINS
<input type="checkbox"/> OIL/GREASE SENSOR ALARM		6	NOVEMBER 17, 2009	L. SIMKINS
<input type="checkbox"/> SUCTION PIPE FOR INDOOR INSTALLATION		7	APRIL 4, 2012	L. SIMKINS
<input checked="" type="checkbox"/> ABOVE GROUND CONFIGURATION		8	FEBRUARY 14, 2013	S. MANGAT
<input type="checkbox"/> DOUBLE WALL CONSTRUCTION		10		
DRAWN BY: F. CHANDLER		DATE DRAWN: 6/15/04		

Proceptor®
 by greenturtle®
 US 877 428 8187 CAN 877 966 9444
 www.greenturtletech.com

SIZE	DWG. NO.	REV.
A	OMC 1000 UPC	8
SCALE: 1:35	DO NOT SCALE DRAWING	SHEET 1 OF 1