

NOTES:

1. FOR GRAVITY APPLICATIONS ONLY.
2. ALL PROCEPTOR UNITS ARE MANUFACTURED WITH FIBERGLASS REINFORCED PLASTICS. PHYSICAL CHARACTERISTICS AND THICKNESS: POLYESTER RESIN AND E GLASS MINIMUM THICKNESS 1/4" WALL AND 3/8" TOP AND BOTTOM BOWLS.
3. ALL PROCEPTOR UNITS ARE TO BE INSTALLED IN ACCORDANCE WITH THE MANUFACTURER'S INSTALLATION INSTRUCTION.
4. STANDARD PIPING IS SCH. 40 PVC.
5. GMC/OMC 500 - 3000 UNITS COME STANDARD WITH 4" INLET AND OUTLET (OTHER PIPE SIZE OPTIONS AVAILABLE ON REQUEST).
6. EXTENSION COLLAR TO BE ORDERED TO MEET FINISHED GRADE, CUT ON SITE FOR FINAL ADJUSTMENT AND CAULKED WITH SIKAFLEX BY CONTRACTOR FOR WATERTIGHT SEAL.
7. COVERS AVAILABLE FOR H20 TRAFFIC LOADING, PEDESTRIAN LOADING OR ABOVE GROUND INSTALLATION.
8. CONSULT GREEN TURTLE FOR OTHER SIZES.
9. 30 YEAR WARRANTY AGAINST LEAKS, AND STRUCTURAL FAILURE.
10. U.S. PATENT #5,746,912; CDN PATENT #2,195,822

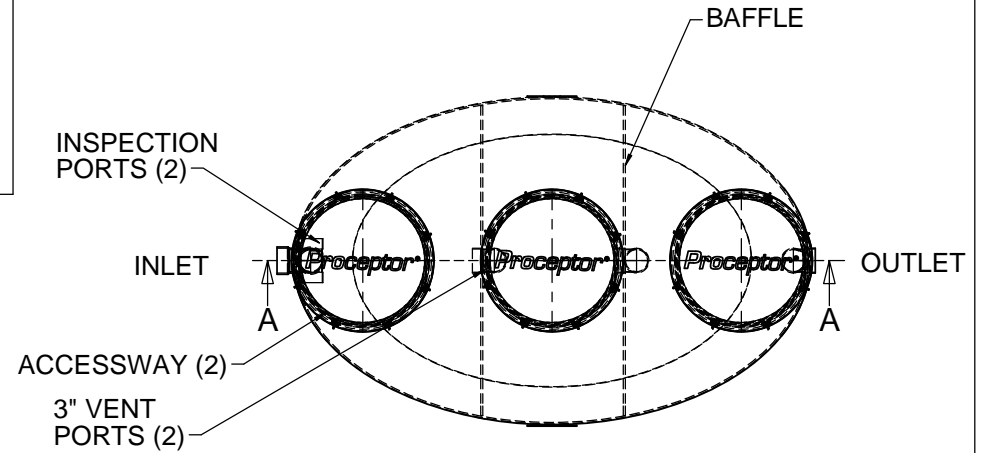
US PAT. # 5746912

Proceptor®

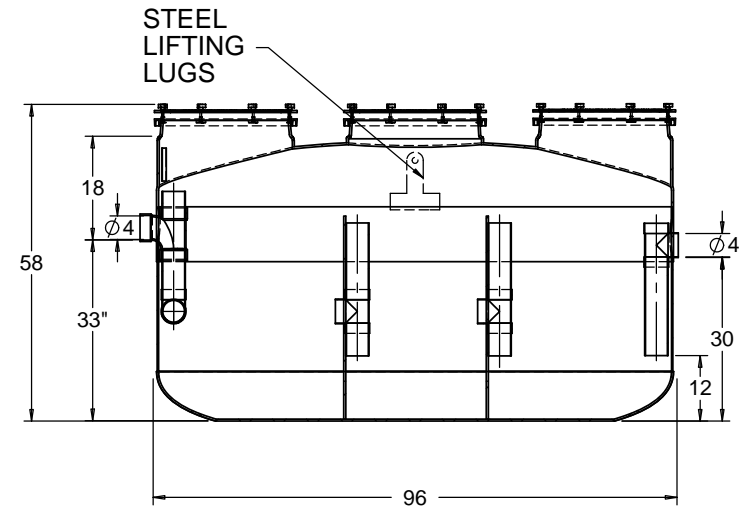
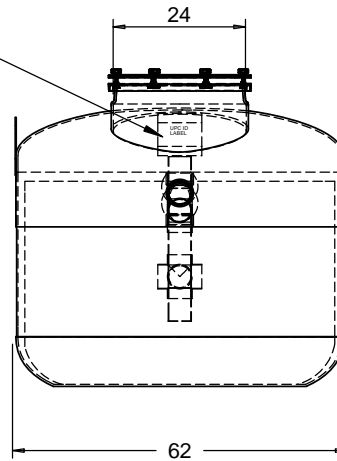
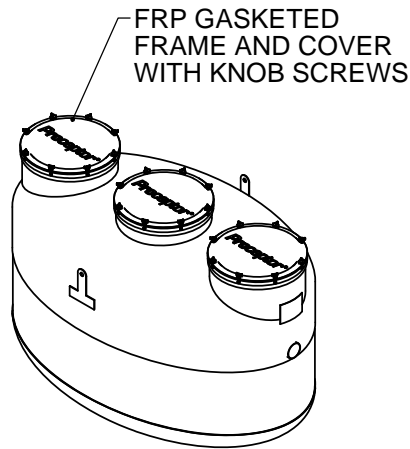
MANUFACTURER: GREEN TURTLE TECHNOLOGIES

PROCEPTOR MODEL NUMBER: OMC 500 UPC
 LIQUID CAPACITY (WORKING VOLUME): 500 US GAL.
 RATED FLOW:
 STD. MAX BURIAL DEPTH TO TOP OF TANK: 6 FT.
 MAX VERTICAL LOAD: 1133 PSF

DETAIL "A"



DETAIL "A"
 LABEL INSIDE
 AND OUTSIDE



SECTION A-A
 SCALE 1 : 35

FOR UPC/IAPMO INSTALLATIONS

MANUFACTURED IN COMPLIANCE WITH
 IAPMO PS 80-2008

TITLE: PROCEPTOR SEPARATOR OMC 500 UPC GALLON INTERCEPTOR 4" INLET & OUTLET 24" TRIPLE ACCESSWAY		REV	DATE	DRAWN
PROJECT: WO:		1	JULY 15, 2008	L. SIMKINS
AVAILABLE OPTIONS (CHECKED IF REQUESTED)		2	SEPTEMBER 15, 2009	L. SIMKINS
<input type="checkbox"/>	OIL/GREASE SENSOR ALARM	3	NOVEMBER 17, 2009	L. SIMKINS
<input type="checkbox"/>	SUCTION PIPE FOR INDOOR INSTALLATION	4	APRIL 3, 2012	L. SIMKINS
<input checked="" type="checkbox"/>	ABOVE GROUND CONFIGURATION	5	FEBRUARY 14, 2013	S. MANGAT
<input type="checkbox"/>	DOUBLE WALL CONSTRUCTION	6		
<input type="checkbox"/>	OIL DRAW OFF PIPE TO CONNECT TO EXTERNAL OIL HOLDING TANK (FOR OIL ONLY)	7		
DRAWN BY: L. SIMKINS		8		
DATE DRAWN: 9/10/6		9		
		10		
		SCALE: 1:35		DO NOT SCALE DRAWING
		SHEET 1 OF 1		

Proceptor®
 by greenturtle®
 US 877 428 8187 CAN 877 966 9444
 www.greenturtletech.com

SIZE DWG. NO. REV.
A OMC 500 UPC **5**