

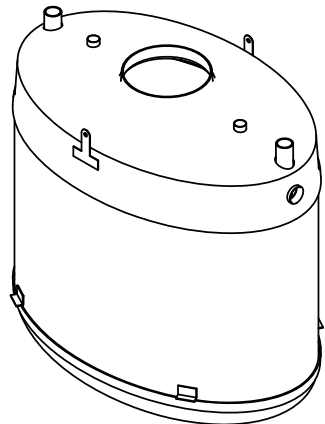
NOTES:

1. FOR GRAVITY APPLICATIONS ONLY.
2. ALL UNITS ARE MANUFACTURED WITH FIBERGLASS REINFORCED PLASTICS. PHYSICAL CHARACTERISTICS AND THICKNESS: POLYESTER RESIN AND E GLASS MINIMUM THICKNESS 1/4" WALL AND 3/8" TOP AND BOTTOM BOWLS.
3. ALL UNITS ARE TO BE INSTALLED IN ACCORDANCE WITH THE MANUFACTURERS INSTALLATION INSTRUCTION.
4. STANDARD PIPING IS SCHEDULE 40 PVC.
5. SMC 500 - 1500 UNITS COME STANDARD WITH 4" INLET (OTHER CUSTOM SIZES AVAILABLE ON REQUEST).
6. EXTENSION COLLAR TO BE ORDERED TO MEET FINISHED GRADE, CUT ON SITE FOR FINAL ADJUSTMENT AND CAULKED WITH SIKAFLEX BY CONTRACTOR IF WATERTIGHT SEAL REQUIRED.
7. COVERS AVAILABLE FOR H2O TRAFFIC LOADING, PEDESTRIAN LOADING OR ABOVE GROUND INSTALLATION.
8. CONSULT GREEN TURTLE FOR OTHER SIZES.
9. 30 YEAR WARRANTY AGAINST LEAKS, AND STRUCTURAL FAILURE.

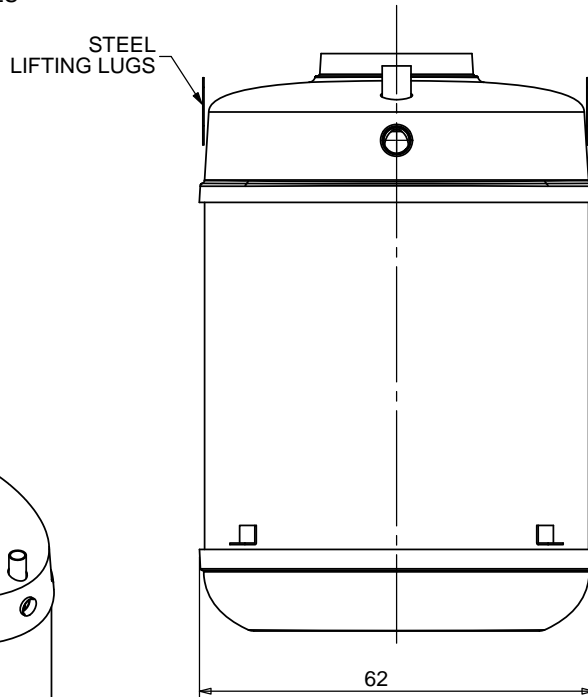
SPECIFICATIONS

PIPE SIZE: 4 INCH PVC SCH 40
 INSTALLATION: BURIED
 ACCESSWAY SIZE: 24 INCHES

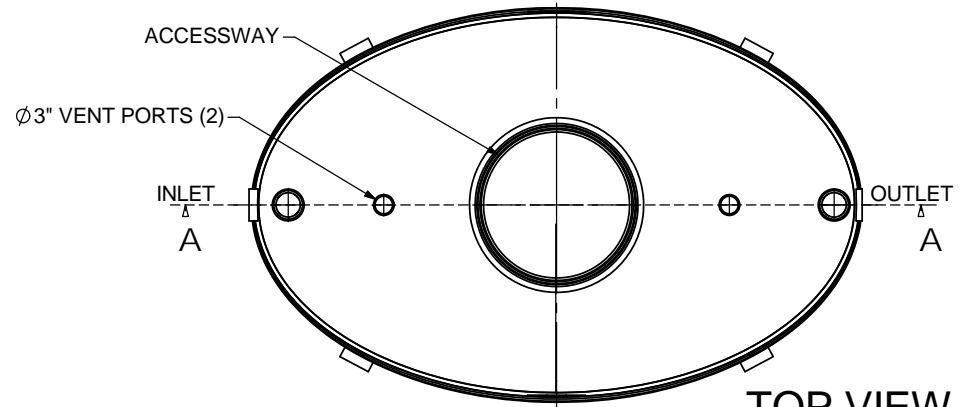
OPTIONS



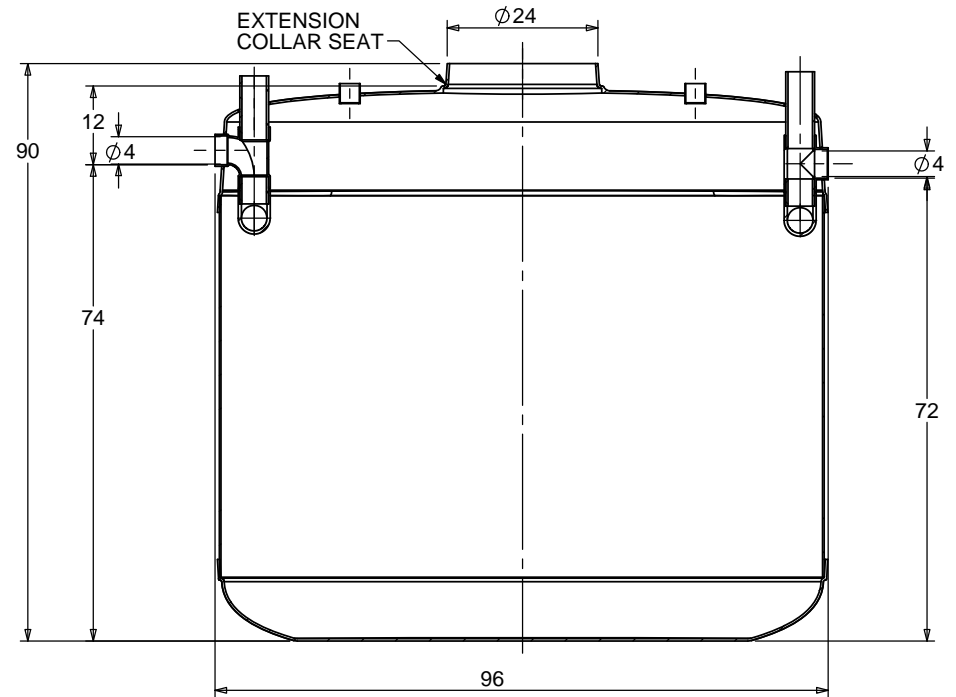
ISOMETRIC VIEW



SIDE VIEW



TOP VIEW



SECTION A-A

TITLE: SOLIDS INTERCEPTOR SMC 1300 US GALLONS		REV	DATE	DRAWN		SIZE	DWG. NO.	REV.
ALL DIMENSIONS IN INCHES		1	AUGUST 29, 2011			A	SMC 1300	2
PROJECT: WO:		2	APRIL 21, 2017					
NOTES:		3						
		4						
		5						
		6						
		7						
		8						
		9						
		10						
		DRAWN BY: LISA SIMKINS						
		DRAWN DATE: APRIL 22, 2008			SCALE: 1:30	DO NOT SCALE DRAWING	SHEET 1 OF 1	