

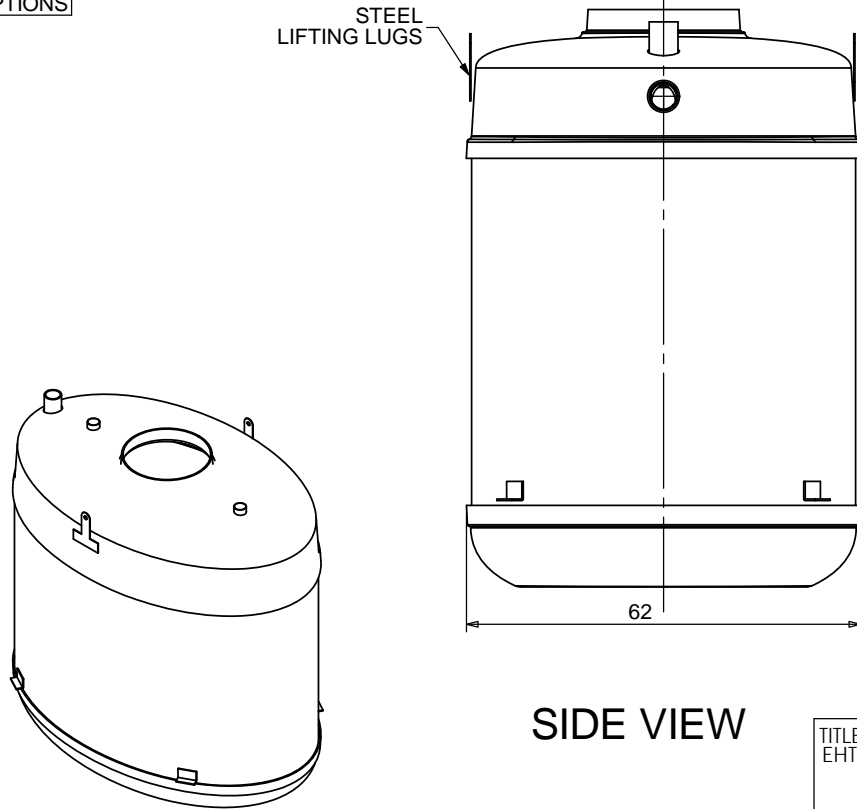
NOTES:

1. FOR GRAVITY APPLICATIONS ONLY.
2. ALL GREEN TURTLE™ UNITS ARE MANUFACTURED WITH FIBERGLASS REINFORCED PLASTICS. PHYSICAL CHARACTERISTICS AND THICKNESS: POLYESTER RESIN AND E GLASS MINIMUM THICKNESS 1/4" WALL AND 3/8" TOP AND BOTTOM BOWLS.
3. ALL UNITS ARE TO BE INSTALLED IN ACCORDANCE WITH THE MANUFACTURERS INSTALLATION INSTRUCTION.
4. STANDARD PIPING IS SCHEDULE 40 PVC.
5. EHT 500 - 1500 UNITS COME STANDARD WITH 4" INLET (OTHER CUSTOM SIZES AVAILABLE ON REQUEST).
6. EXTENSION COLLAR TO BE ORDERED TO MEET FINISHED GRADE, CUT ON SITE FOR FINAL ADJUSTMENT AND CAULKED WITH SIKAFLEX BY CONTRACTOR FOR WATERTIGHT SEAL.
7. COVERS AVAILABLE FOR H2O TRAFFIC LOADING, PEDESTRIAN LOADING OR ABOVE GROUND INSTALLATION.
8. CONSULT GREEN TURTLE FOR OTHER SIZES.
9. 30 YEAR WARRANTY AGAINST LEAKS, AND STRUCTURAL FAILURE.
10. U.S. PATENT #5,746,912; CDN PATENT #2,195,822

SPECIFICATIONS

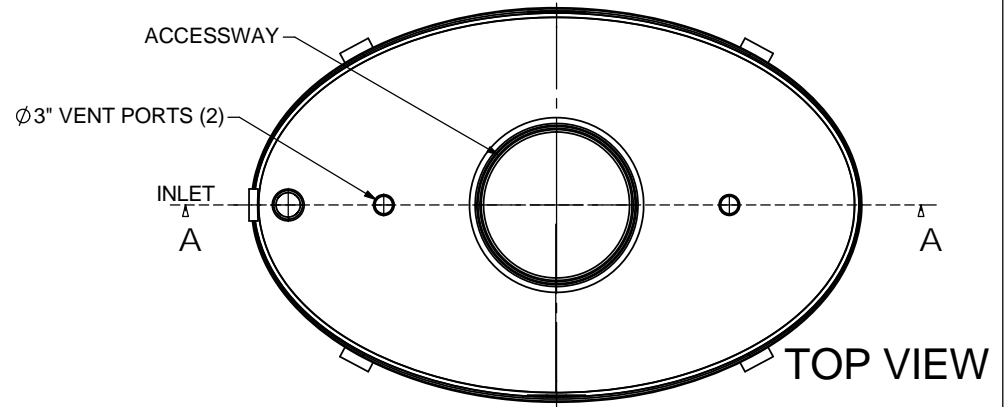
PIPE SIZE: 4 INCH PVC SCH 40
 INSTALLATION: BURIED
 ACCESSWAY SIZE: 24 INCHES

OPTIONS

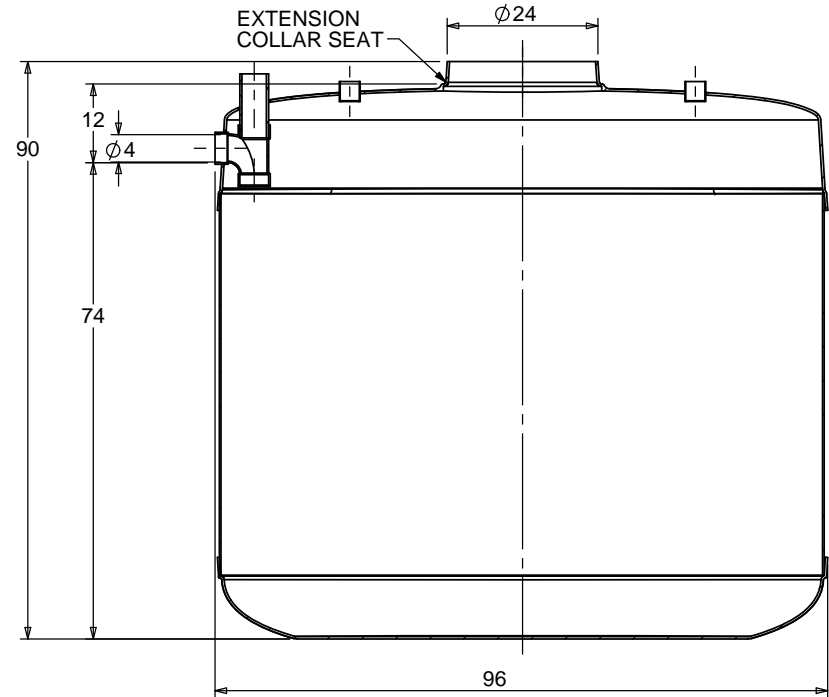


SIDE VIEW

ISOMETRIC VIEW



TOP VIEW



SECTION A-A

TITLE: HOLDING TANK EHT 1300 US GALLONS		REV	DATE	DRAWN
		1	APRIL 26, 2012	L. SIMKINS
		2	APRIL 24, 2017	
		3		
		4		
		5		
		6		
		7		
		8		
		9		
		10		
ALL DIMENSIONS IN INCHES				
PROJECT: _____ WO: _____				
NOTES:				
DRAWN BY: L. SIMKINS		SIZE	DWG. NO.	REV.
		A	EHT 1300	2
DRAWN DATE: APRIL 23, 2008		SCALE:1:30	DO NOT SCALE DRAWING	SHEET 1 OF 1

