

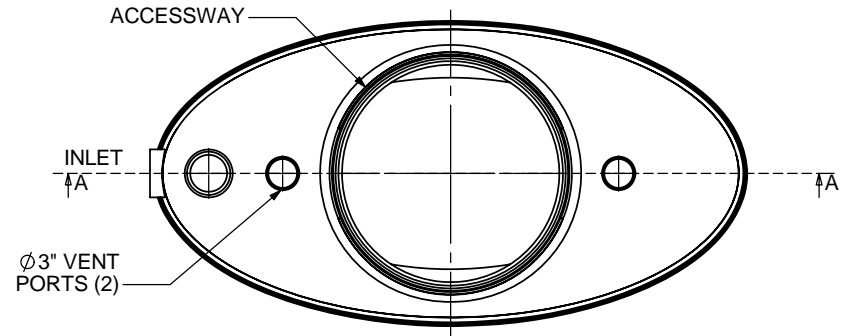
NOTES:

1. FOR GRAVITY APPLICATIONS ONLY.
2. ALL GREEN TURTLE™ UNITS ARE MANUFACTURED WITH FIBERGLASS REINFORCED PLASTICS. PHYSICAL CHARACTERISTICS AND THICKNESS: POLYESTER RESIN AND E GLASS MINIMUM THICKNESS 3/16" WALL AND 5/16" TOP AND BOTTOM BOWLS.
3. ALL UNITS ARE TO BE INSTALLED IN ACCORDANCE WITH THE MANUFACTURERS INSTALLATION INSTRUCTION.
4. STANDARD PIPING IS SCH 40 PVC.
5. EHT 50 - 300 UNITS COME STANDARD WITH 4" INLET (OTHER CUSTOM SIZES AVAILABLE ON REQUEST).
6. EXTENSION COLLAR TO BE ORDERED TO MEET FINISHED GRADE, CUT ON SITE FOR FINAL ADJUSTMENT AND CAULKED WITH SIKAFLEX BY CONTRACTOR FOR WATERTIGHT SEAL.
7. COVERS AVAILABLE FOR H2O TRAFFIC LOADING, PEDESTRIAN LOADING OR ABOVE GROUND INSTALLATION.
8. CONSULT GREEN TURTLE FOR OTHER SIZES.
9. 30 YEAR WARRANTY AGAINST LEAKS, AND STRUCTURAL FAILURE.
10. U.S. PATENT #5,746,912; CDN PATENT #2,195,822

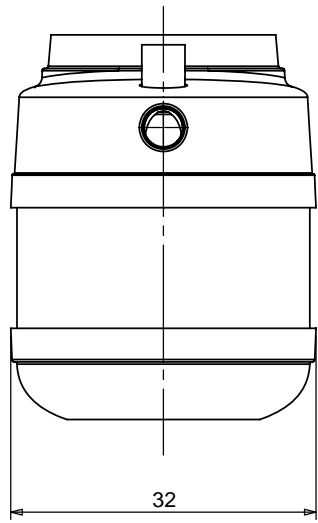
SPECIFICATIONS

PIPE SIZE: 4 INCH PVC SCH 40
 INSTALLATION: BURIED
 ACCESSWAY SIZE: 24 INCHES

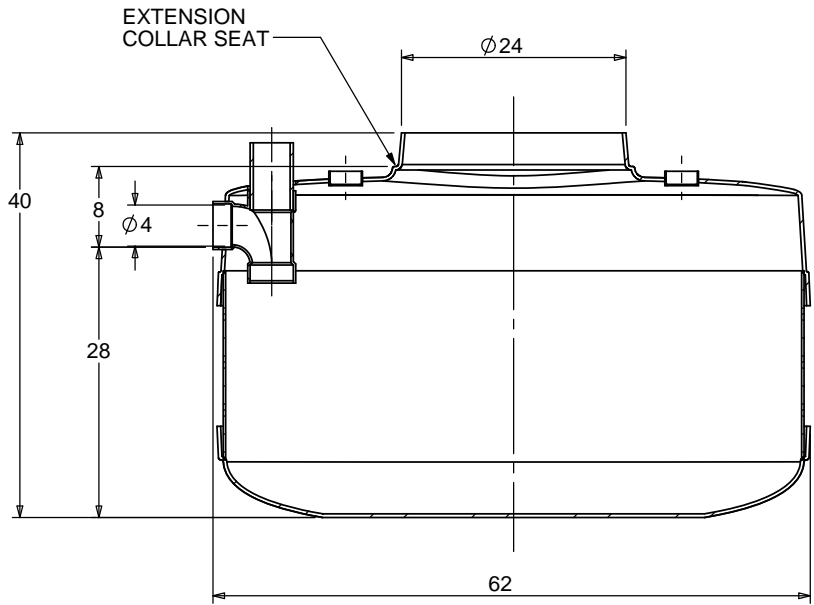
OPTIONS



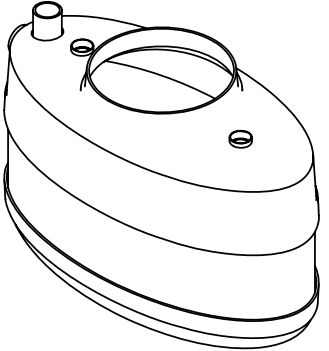
TOP VIEW



SIDE VIEW



SECTION A-A



ISOMETRIC VIEW

TITLE: HOLDING TANK
 EHT 150

ALL DIMENSIONS IN INCHES

PROJECT: WO:

NOTES:

REV	DATE	DRAWN
1		
2		
3	APRIL 23, 2008	L. SIMKINS
4	JULY 15, 2011	L. SIMKINS
5	APRIL 26, 2012	
6	MARCH 31, 2017	
7		
8		
9		
10		

DRAWN BY: F CHANDLER
 DRAWN DATE 9/14/04



SIZE	DWG. NO	REV.
A	EHT 150	6
SCALE:1:20	DO NOT SCALE DRAWING	SHEET 1 OF 1