

NOTES:

1. FOR GRAVITY APPLICATIONS ONLY.
2. ALL PROCEPTOR UNITS ARE MANUFACTURED WITH FIBERGLASS REINFORCED PLASTICS.
3. ALL PROCEPTOR UNITS ARE TO BE INSTALLED IN ACCORDANCE WITH THE MANUFACTURER'S INSTALLATION INSTRUCTION.
4. STANDARD PIPING IS SCH. 40 PVC.
5. GMC/OMC 500 - 3000 UNITS COME STANDARD WITH 4" INLET AND OUTLET (OTHER PIPE SIZE OPTIONS AVAILABLE ON REQUEST).
6. EXTENSION COLLAR TO BE ORDERED TO MEET FINISHED GRADE, CUT ON SITE FOR FINAL ADJUSTMENT AND CAULKED WITH SIKAFLEX BY CONTRACTOR FOR WATERTIGHT SEAL.
7. COVERS AVAILABLE FOR H20 TRAFFIC LOADING, PEDESTRIAN LOADING OR ABOVE GROUND INSTALLATION.
8. CONSULT GREEN TURTLE FOR OTHER SIZES.
9. 30 YEAR WARRANTY AGAINST LEAKS, AND STRUCTURAL FAILURE.
10. U.S. PATENT #5,746,912; CDN PATENT #2,195,822

US PAT. # 5746912

Proceptor®

MANUFACTURER: ZURN GREEN TURTLE

PROCEPTOR MODEL NUMBER: GMC 500-P UPC


LIQUID CAPACITY (WORKING VOLUME): 500 US GAL.

RATED FLOW: 500 US GAL.

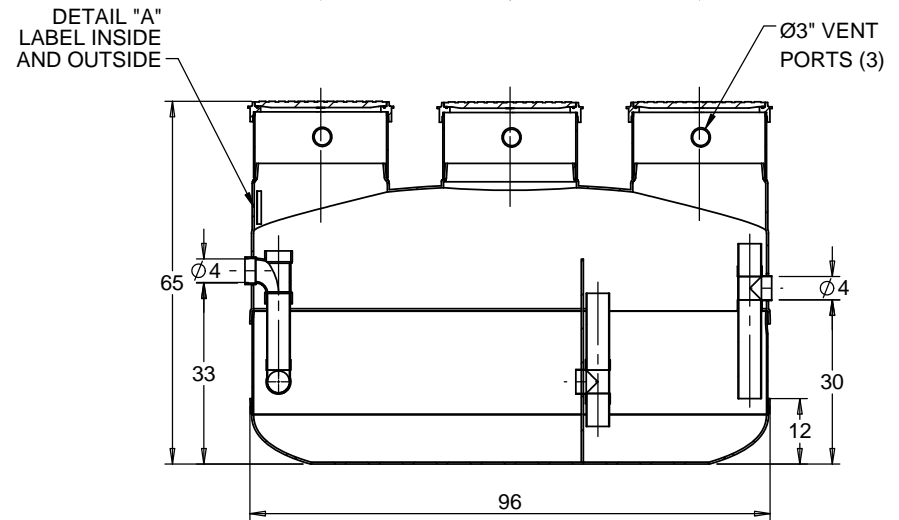
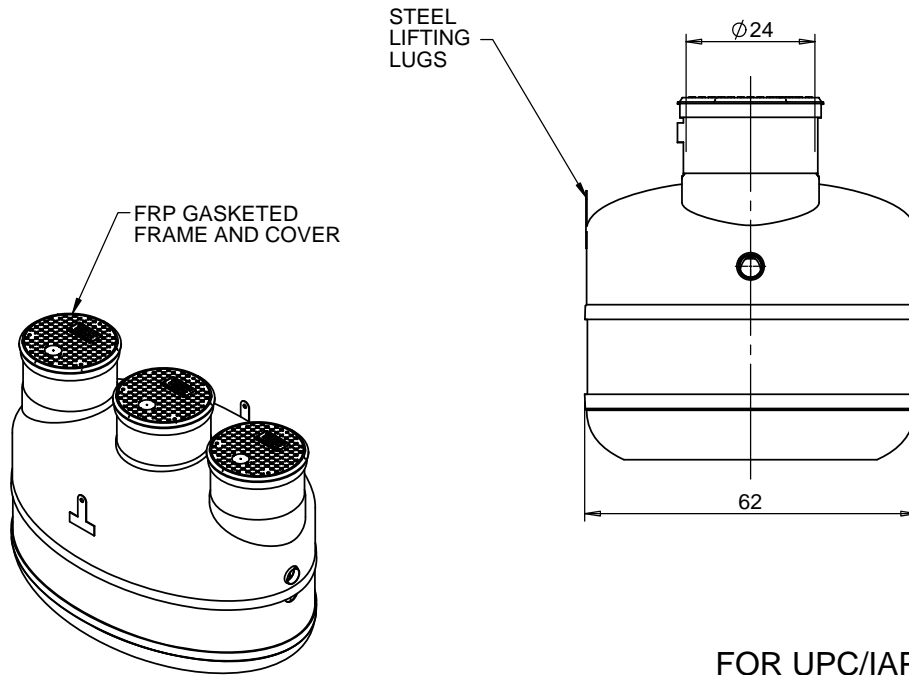
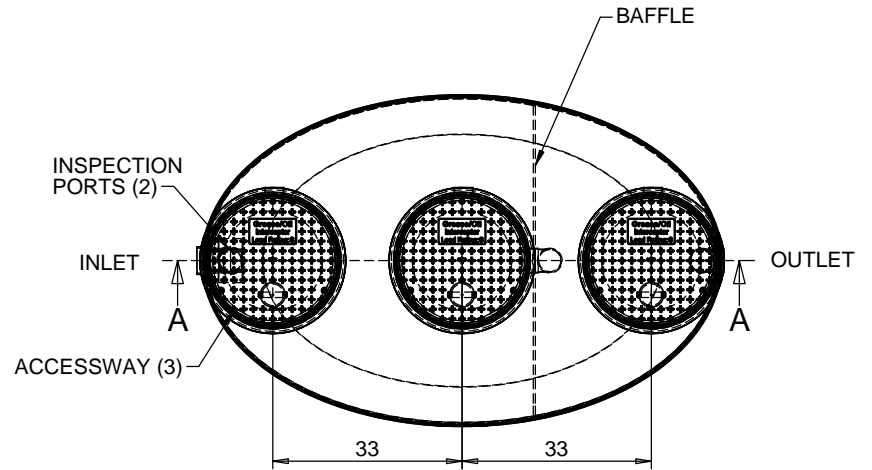
STD. MAX BURIAL DEPTH TO TOP OF TANK: 6 FT.

MAX VERTICAL LOAD: 1133 PSF

MONTH/YEAR OF MANUFACTURE:



DETAIL "A"



SECTION A-A
SCALE 1 : 35

FOR UPC/IAPMO INSTALLATIONS

**FOR UPC/IAPMO INSTALLATIONS
APPROVED UNDER PS 80-2008
MEETS ASTM C-581**

TITLE: PROCEPTOR SEPARATOR		REV	DATE	DRAWN
GMC 500-P UPC GALLON INTERCEPTOR		1		
4" INLET & OUTLET		2		
24" TRIPLE ACCESSWAY		3		
PROJECT: WO:		4		
		5		
AVAILABLE OPTIONS (CHECKED IF REQUESTED)		6		
<input type="checkbox"/> OIL/GREASE SENSOR ALARM		7		
<input type="checkbox"/> SUCTION PIPE FOR INDOOR INSTALLATION		8		
<input checked="" type="checkbox"/> ABOVE GROUND CONFIGURATION		9		
<input type="checkbox"/> DOUBLE WALL CONSTRUCTION		10		
OIL DRAW OFF PIPE TO CONNECT TO EXTERNAL OIL HOLDING TANK(FOR OIL ONLY)		DRAWN BY: L. SIMKINS		
		DATE DRAWN: 2018/08/08		



SIZE	DWG. NO.	REV.
A	GMC 500-P UPC	0
SCALE:1:35	DO NOT SCALE DRAWING	SHEET 1 OF 1