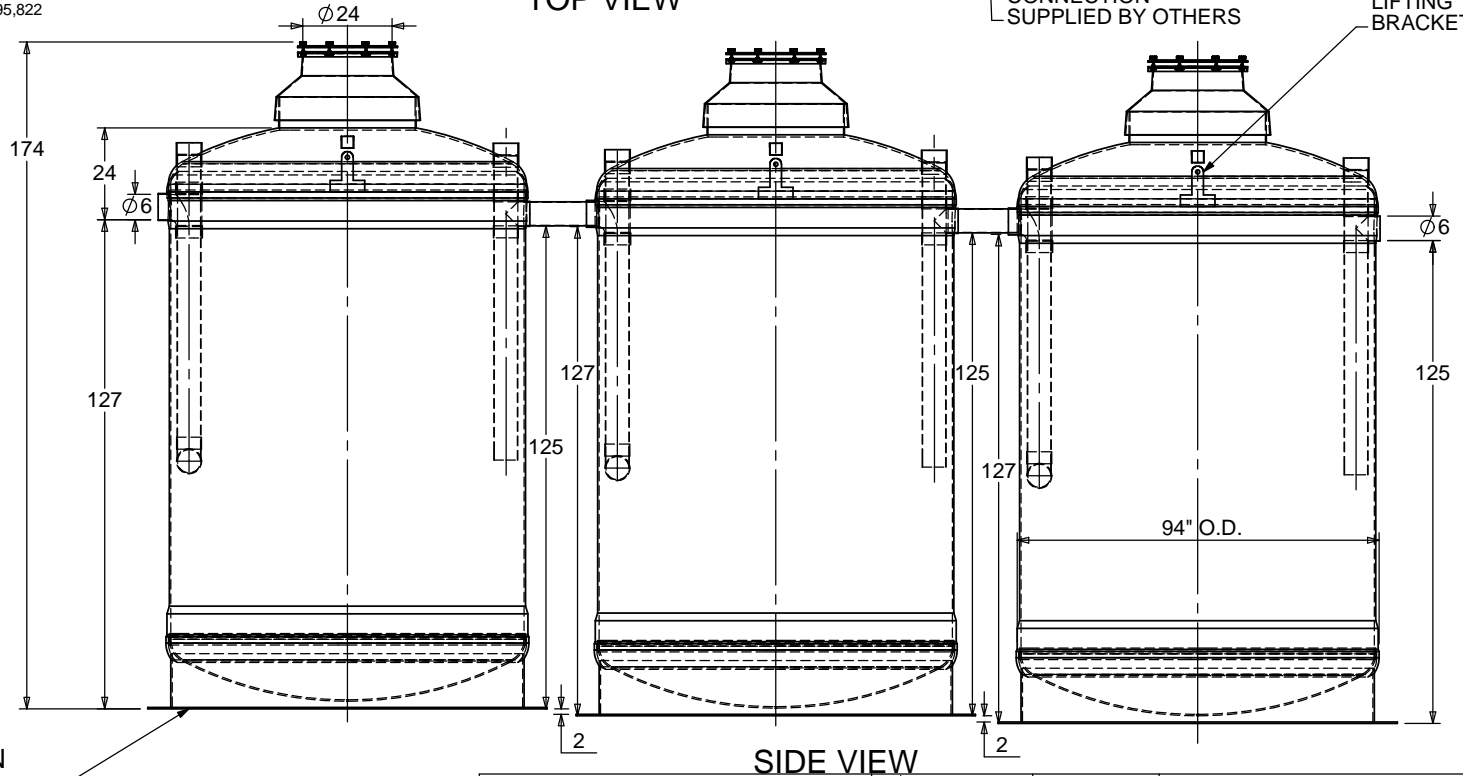
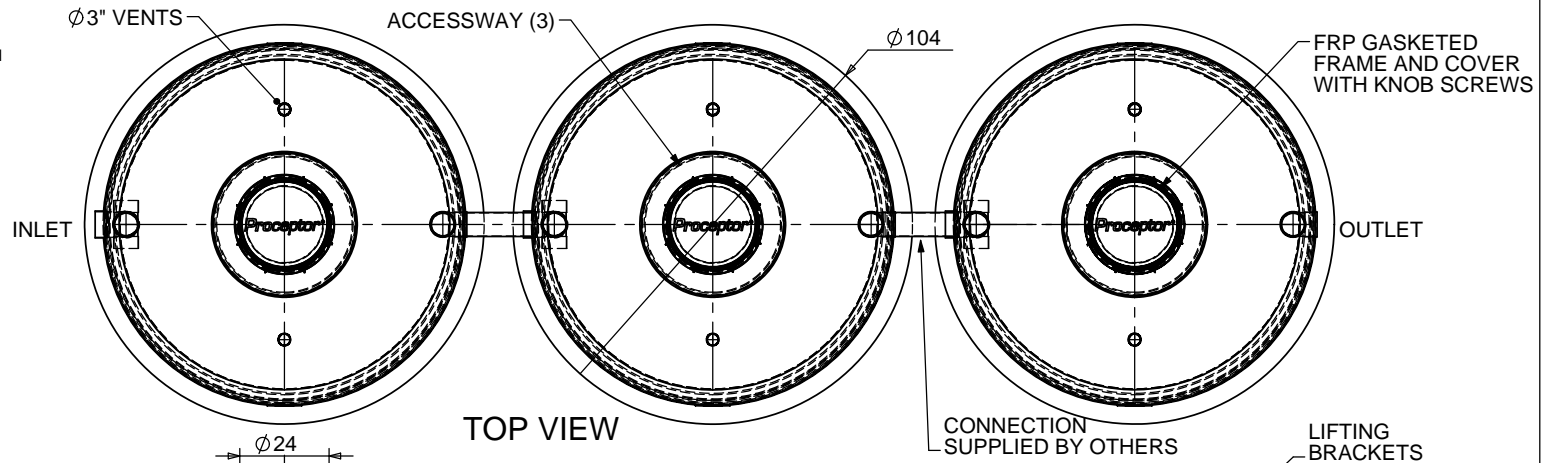


NOTES:

1. FOR GRAVITY APPLICATIONS ONLY.
2. ALL PROCEPTOR UNITS ARE MANUFACTURED WITH FIBERGLASS REINFORCED PLASTICS; PHYSICAL CHARACTERISTICS:
ISOPHTHALIC POLYESTER RESIN WITH E GLASS.
3. ALL PROCEPTOR UNITS ARE TO BE INSTALLED IN ACCORDANCE WITH THE MANUFACTURERS INSTALLATION INSTRUCTION.
4. STANDARD PIPING IS SCH. 40 PVC.
5. GMC/OMC 4,000 - 10,000 UNITS COME STANDARD WITH 6" INLET AND OUTLET (OTHER CUSTOM SIZES AVAILABLE AT EXTRA CHARGE).
6. ADVISE GREEN TURTLE OF INVERT DEPTH; DEEP INSTALLATIONS MAY REQUIRE CUSTOM REINFORCEMENT.
7. EXTENSION COLLAR TO BE ORDERED TO MEET FINISHED GRADE, CUT ON SITE FOR FINAL ADJUSTMENT, AND CAULKED WITH SIKAFLEX BY CONTRACTOR FOR WATERTIGHT SEAL.
8. COVERS AVAILABLE FOR H2O TRAFFIC LOADING, PEDESTRIAN LOADING OR ABOVE GROUND INSTALLATION.
9. CONSULT GREEN TURTLE FOR OTHER SIZES.
10. 30 YEAR WARRANTY AGAINST LEAKS, AND STRUCTURAL FAILURE.
11. U.S. PATENT #5,746,912; CDN PATENT #2,195,822



ROUND SKIRT OPTION FOR ABOVE GRADE INSTALLATION

TOTAL WET VOLUME: 10,000 GAL
 MAX. GREASE CAPACITY: 4795 GAL
 MAX SOLIDS CAPACITY: 3700 GAL

CONSULT LOCAL AUTHORITIES FOR MINIMUM SIZE OF SEPARATORS

TITLE: PROCEPTOR F.O.G. SEPARATOR		REV	DATE	DRAWN
GMC 10,000 GALLON INTERCEPTOR		1	JANUARY 8, 2008	L. SIMKINS
6" INLET & OUTLET		2	NOVEMBER 13, 2009	L. SIMKINS
36" ACCESSWAY		3	SEPTEMBER 1, 2010	L. SIMKINS
ALL DIMENSIONS IN INCHES		4	APRIL 2, 2012	L. SIMKINS
PROJECT: WO:		5		
AVAILABLE OPTIONS (CHECKED IF REQUESTED)		6		
<input type="checkbox"/> OIL AND GREASE SENSOR ALARM		7		
<input type="checkbox"/> SUCTION PIPE FOR INDOOR INSTALLATION		8		
<input checked="" type="checkbox"/> ABOVE GROUND INSTALLATION		9		
		10		
DRAWN BY: L. SIMKINS		SIZE DWG. NO. REV.		
DRAWN DATE: FEBRUARY 9, 2006		A GMC 10000(3) 4		

Proceptor[®]
 by greenturtle[®]
 US 877 428 8187 CAN 877 966 9444
www.greenturtletech.com

SCALE: 1:50	DO NOT SCALE DRAWING	SHEET 1 OF 1
-------------	----------------------	--------------