

NOTES:

1. FOR GRAVITY APPLICATIONS ONLY.
2. ALL PROCEPTOR UNITS ARE MANUFACTURED WITH FIBERGLASS REINFORCED PLASTICS. PHYSICAL CHARACTERISTICS AND THICKNESS: POLYESTER RESIN AND E GLASS. MINIMUM THICKNESS 1/4" WALL AND 3/8" TOP AND BOTTOM BOWLS.
3. ALL PROCEPTOR UNITS ARE TO BE INSTALLED IN ACCORDANCE WITH THE MANUFACTURERS INSTALLATION INSTRUCTION.
4. STANDARD PIPING IS SCH. 40 PVC.
5. GMC/OMC 500 - 3000 UNITS COME STANDARD WITH 4" INLET AND OUTLET (OTHER PIPE SIZE OPTIONS AVAILABLE ON REQUEST).
6. EXTENSION COLLAR TO BE ORDERED TO MEET FINISHED GRADE, CUT ON SITE FOR FINAL ADJUSTMENT AND CAULKED WITH SIKAFLEX BY CONTRACTOR FOR WATERTIGHT SEAL.
7. COVERS AVAILABLE FOR H2O TRAFFIC LOADING, PEDESTRIAN LOADING OR ABOVE GROUND INSTALLATION.
8. CONSULT GREEN TURTLE FOR OTHER SIZES.
9. 30 YEAR WARRANTY AGAINST LEAKS, AND STRUCTURAL FAILURE.
10. U.S. PATENT #5,746,912; CDN PATENT #2,195,822

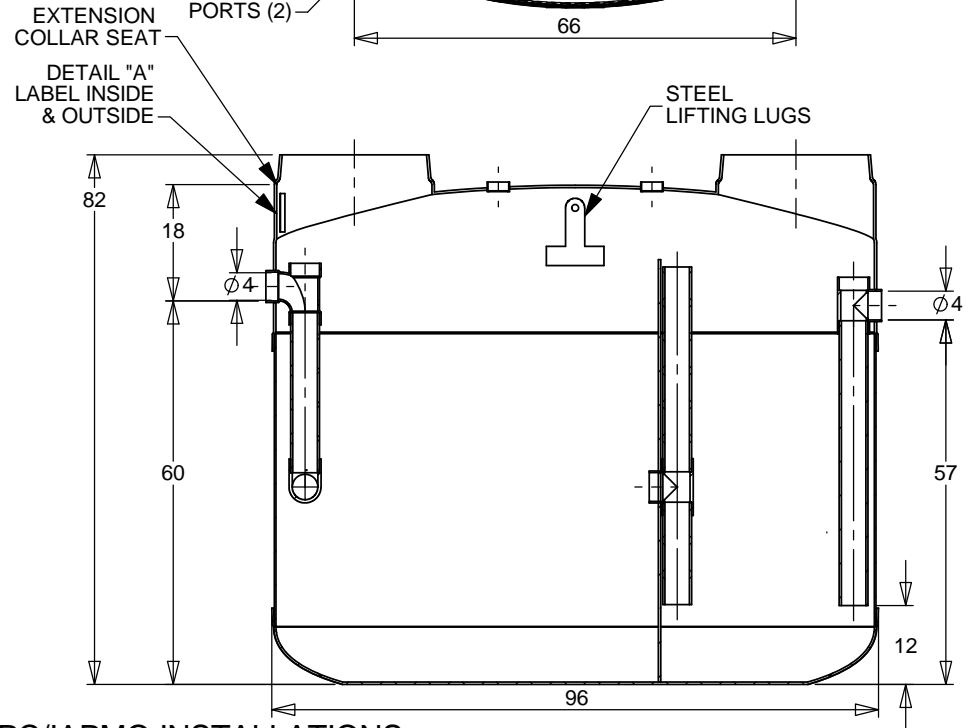
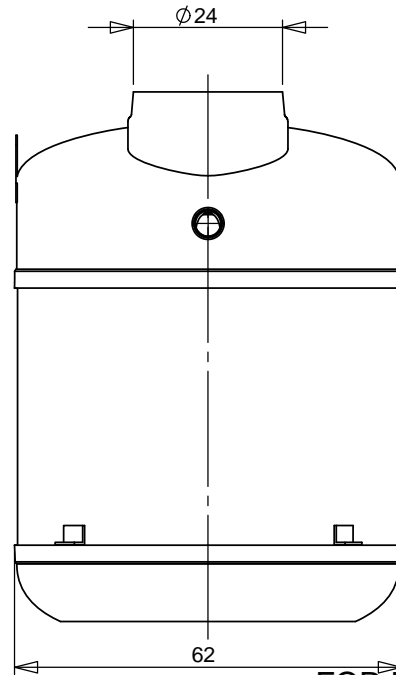
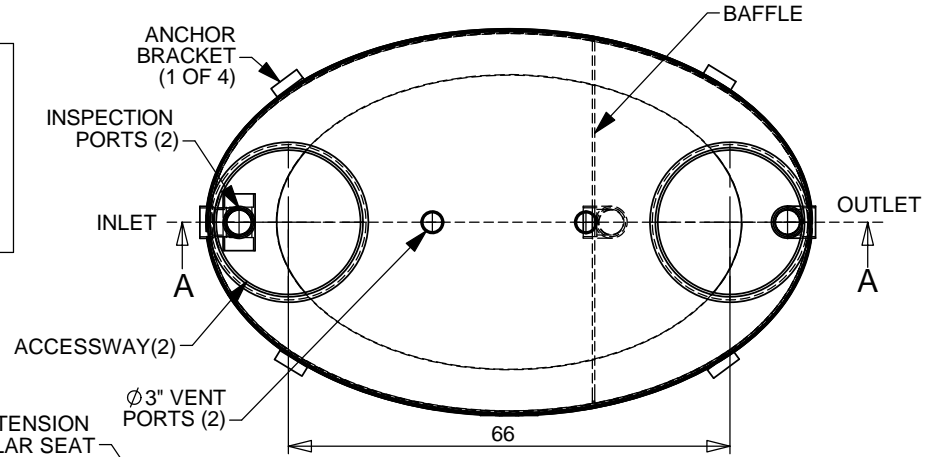
US PAT. # 5746912

Proceptor[®]

MANUFACTURER: GREEN TURTLE TECHNOLOGIES

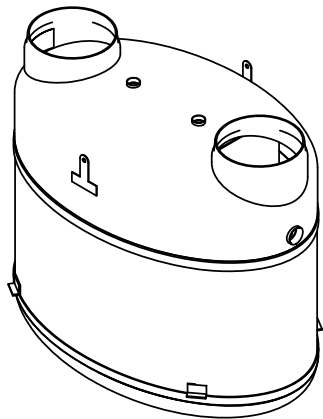
PROCEPTOR MODEL NUMBER: GMC 1000 UPC
 LIQUID CAPACITY (WORKING VOLUME): 1000 US GAL.
 RATED FLOW:
 STD. MAX BURIAL DEPTH TO TOP OF TANK: 6 FT.
 MAX VERTICAL LOAD: 1133 PSF
 MONTH/YEAR OF MANUFACTURE:

DETAIL "A"



FOR UPC/IAPMO INSTALLATIONS

SECTION A-A
SCALE 1 : 30



FOR UPC/IAPMO INSTALLATIONS
 APPROVED UNDER IAPMO / ANSI Z1001-2007
 MEETS ASTM C-581

TITLE: PROCEPTOR F.O.G. SEPARATOR GMC 1000 UPC GALLON INTERCEPTOR 4" INLET & OUTLET 24" ACCESSWAY		REV	DATE	DRAWN
PROJECT: WO:		11	NOV. 11, 2014	
AVAILABLE OPTIONS (CHECKED IF REQUESTED)		2	9/20/05	L. SIMKINS
<input type="checkbox"/> OIL/GREASE SENSOR ALARM		3	3/29/06	L. SIMKINS
<input type="checkbox"/> SUCTION PIPE FOR INDOOR INSTALLATION		4	JANUARY 2, 2007	L. SIMKINS
<input type="checkbox"/> ABOVE GROUND CONFIGURATION		5	MAY 14, 2008	L. SIMKINS
<input type="checkbox"/> DOUBLE WALL CONSTRUCTION		6	NOVEMBER 16, 2009	L. SIMKINS
		7	APRIL 3, 2012	L. SIMKINS
		8	OCTOBER 01,	S. MANGAT
		9	FEBRUARY 12, 2013	S. MANGAT
		10	AUGUST 25, 2014	S. MANGAT
DRAWN BY: F CHANDLER				
DATE DRAWN: 6/15/04				

Proceptor[®]
 by greenturtle[®]
 US 877 428 8187 CAN 877 966 9444
 www.greenturtletech.com

SIZE	DWG. NO.	REV.
A	GMC 1000 UPC	11
SCALE:1:40	DO NOT SCALE DRAWING	SHEET 1 OF 1