

NOTES:

1. FOR GRAVITY APPLICATIONS ONLY.
2. ALL PROCEPTOR UNITS ARE MANUFACTURED WITH FIBERGLASS REINFORCED PLASTICS. PHYSICAL CHARACTERISTICS AND THICKNESS: POLYESTER RESIN AND E GLASS MINIMUM THICKNESS 1/4" WALL AND 3/8" TOP AND BOTTOM BOWLS.
3. ALL PROCEPTOR UNITS ARE TO BE INSTALLED IN ACCORDANCE WITH THE MANUFACTURER'S INSTALLATION INSTRUCTION.
4. STANDARD PIPING IS SCH. 40 PVC.
5. GMC/OMC 500 - 3000 UNITS COME STANDARD WITH 4" INLET AND OUTLET (OTHER PIPE SIZE OPTIONS AVAILABLE ON REQUEST).
6. EXTENSION COLLAR TO BE ORDERED TO MEET FINISHED GRADE, CUT ON SITE FOR FINAL ADJUSTMENT AND CAULKED WITH SIKAFLEX BY CONTRACTOR FOR WATERTIGHT SEAL.
7. COVERS AVAILABLE FOR H20 TRAFFIC LOADING, PEDESTRIAN LOADING OR ABOVE GROUND INSTALLATION.
8. CONSULT GREEN TURTLE FOR OTHER SIZES.
9. 30 YEAR WARRANTY AGAINST LEAKS, AND STRUCTURAL FAILURE.
10. U.S. PATENT #5,746,912; CDN PATENT #2,195,822

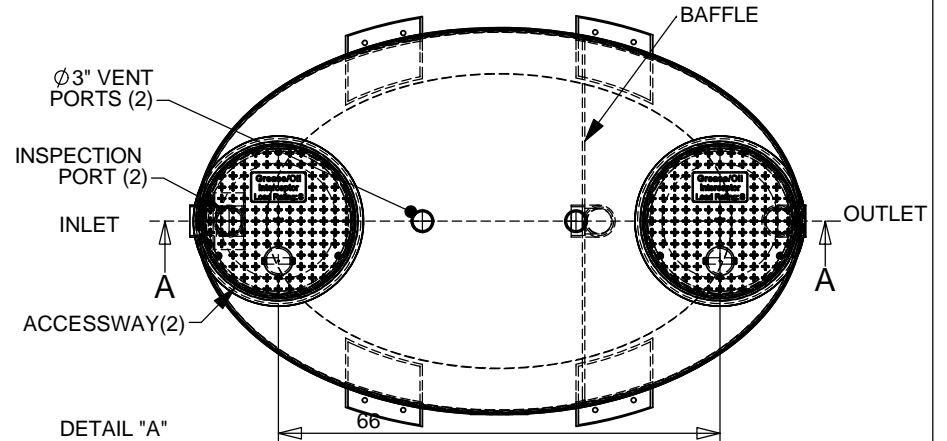
US PAT. # 5746912

Proceptor®

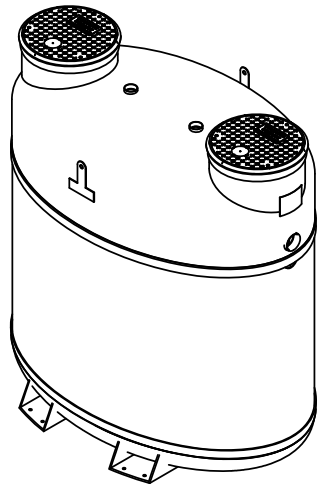
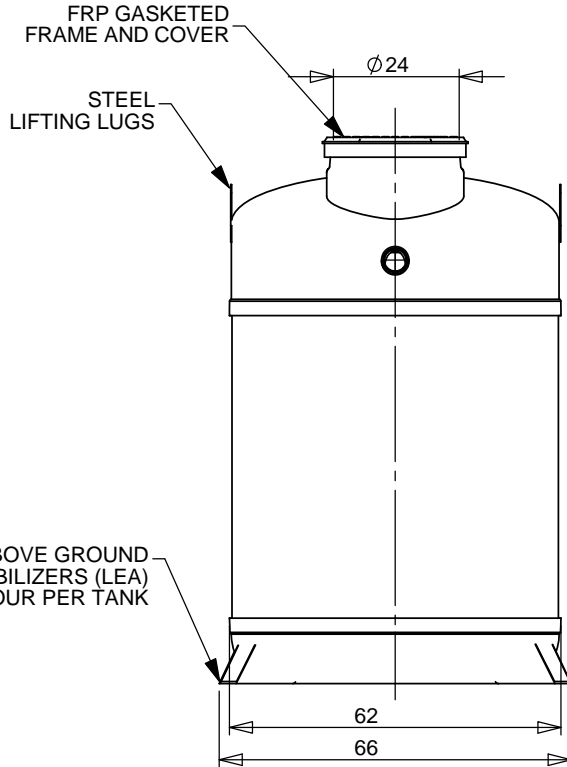
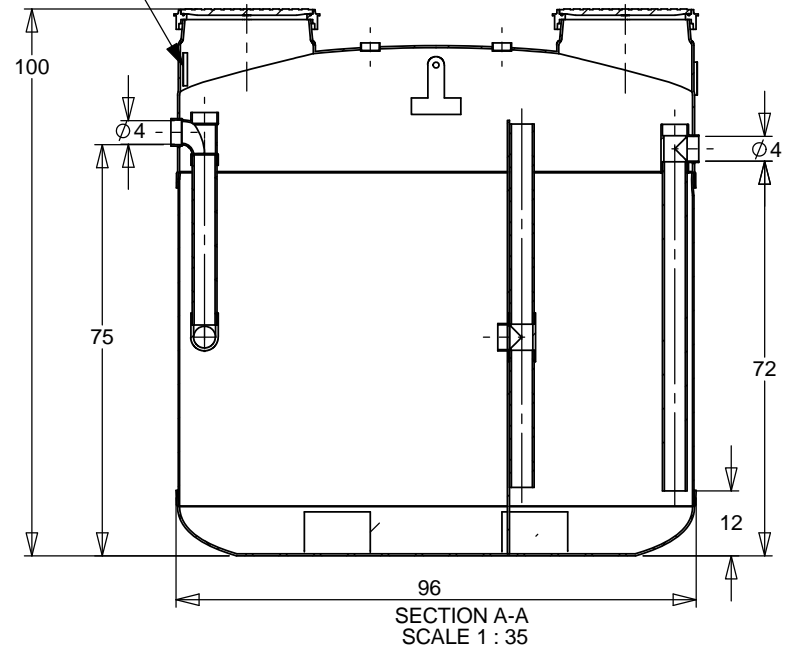


MANUFACTURER: ZURN GREEN TURTLE
 PROCEPTOR MODEL NUMBER: GMC 1300 UPC
 LIQUID CAPACITY (WORKING VOLUME): 1300 US GAL.
 RATED FLOW: 6 FT.
 STD. MAX BURIAL DEPTH TO TOP OF TANK: 1133 PSF
 MAX VERTICAL LOAD: 1133 PSF
 MONTH/YEAR OF MANUFACTURE:

DETAIL "A"



DETAIL "A" LABEL INSIDE & OUTSIDE



FOR UPC/IAPMO INSTALLATIONS
 APPROVED UNDER IAPMO / ANSI Z1001-2007
 MEETS ASTM C-581

FOR UPC/IAPMO INSTALLATIONS

TITLE: PROCEPTOR F.O.G. SEPARATOR		REV	DATE	DRAWN
GMC 1300 UPC GALLON INTERCEPTOR		1	6/15/04	F. CHANDLER
4" INLET & OUTLET		2	9/20/05	L. SIMKINS
24" ACCESSWAY		3	JANUARY 2, 2007	L. SIMKINS
PROJECT: WO:		4	MAY 14, 2008	L. SIMKINS
AVAILABLE OPTIONS (CHECKED IF REQUESTED)		5	NOVEMBER 16, 2009	L. SIMKINS
GREASE SENSOR ALARM		6	APRIL 3, 2012	L. SIMKINS
SUCTION PIPE FOR INDOOR INSTALLATION		7	OCTOBER 01, 2012	S. MANGAT
<input checked="" type="checkbox"/> ABOVE GROUND INSTALLATION		8	FEBRUARY 11, 2013	S. MANGAT
		9	NOV. 11, 2014	
		10	JUNE 16, 2016	
DRAWN BY: F. CHANDLER		DATE DRAWN: 6/15/04		



SIZE	DWG. NO.	REV.
A	GMC 1300 UPC	10
SCALE: 1:30	DO NOT SCALE DRAWING	SHEET 1 OF 1