

**NOTES:**

1. FOR GRAVITY APPLICATIONS ONLY.
2. ALL PROCEPTOR UNITS ARE MANUFACTURED WITH FIBERGLASS REINFORCED PLASTICS. PHYSICAL CHARACTERISTICS AND THICKNESS: POLYESTER RESIN AND E GLASS MINIMUM THICKNESS 1/4" WALL AND 3/8" TOP AND BOTTOM BOWLS.
3. ALL PROCEPTOR UNITS ARE TO BE INSTALLED IN ACCORDANCE WITH THE MANUFACTURERS INSTALLATION INSTRUCTION.
4. STANDARD PIPING IS SCH. 40 PVC.
5. GMC/OMC 500 - 3000 UNITS COME STANDARD WITH 4" INLET AND OUTLET (OTHER PIPE SIZE OPTIONS AVAILABLE ON REQUEST).
6. EXTENSION COLLAR TO BE ORDERED TO MEET FINISHED GRADE, CUT ON SITE FOR FINAL ADJUSTMENT AND CAULKED WITH SIKAFLEX BY CONTRACTOR FOR WATERTIGHT SEAL.
7. COVERS AVAILABLE FOR H2O TRAFFIC LOADING, PEDESTRIAN LOADING OR ABOVE GROUND INSTALLATION.
8. CONSULT GREEN TURTLE FOR OTHER SIZES.
9. 30 YEAR WARRANTY AGAINST LEAKS, AND STRUCTURAL FAILURE.
10. U.S. PATENT #5,746,912; CDN PATENT #2,195,822

US PAT. # 5746912

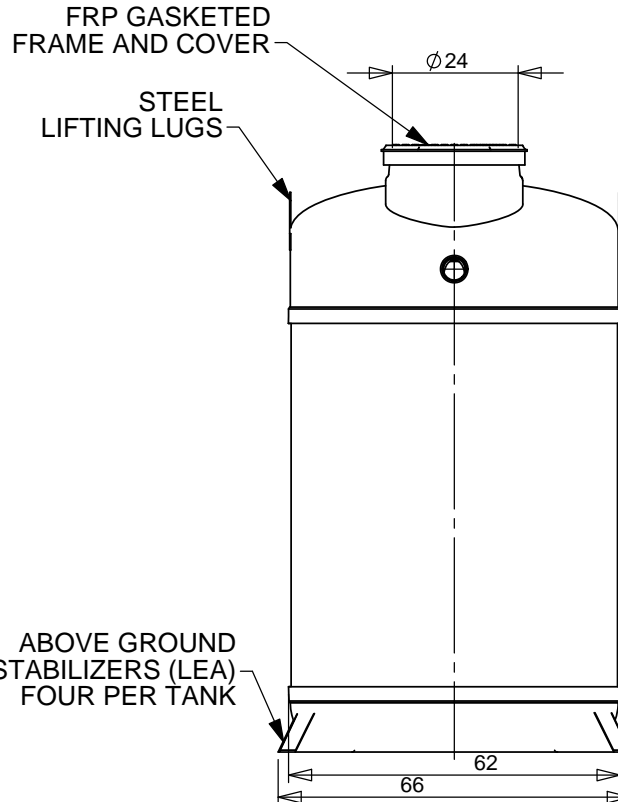
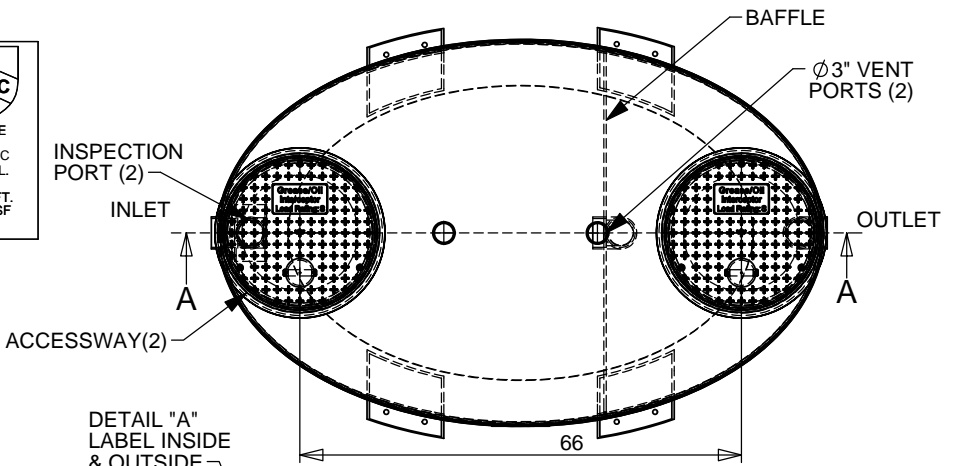
**Proceptor®**

**U P C**

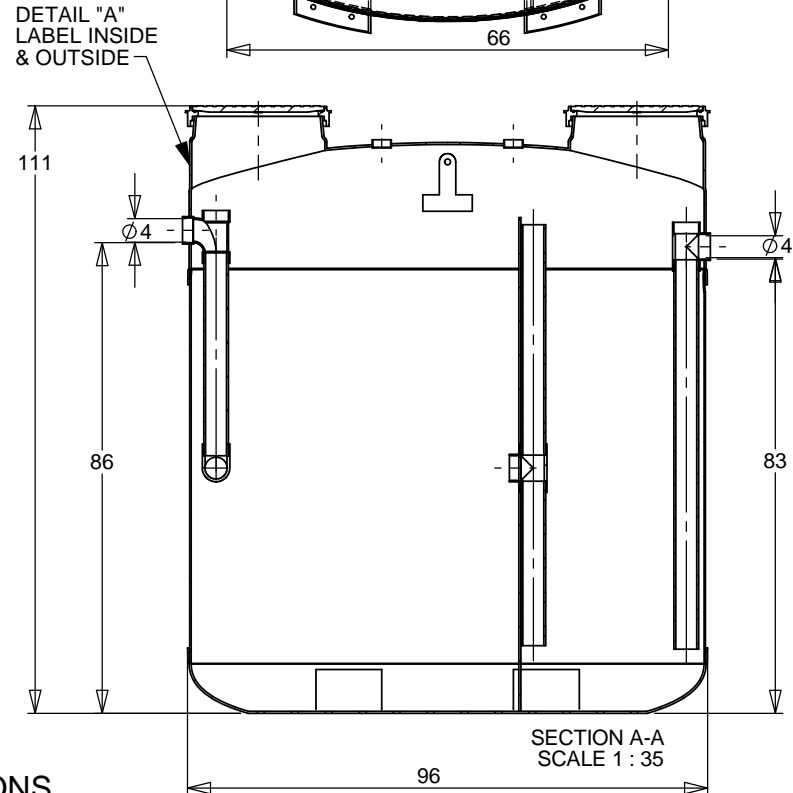
MANUFACTURER: ZURN GREEN TURTLE

PROCEPTOR MODEL NUMBER: GMC 1500 UPC  
 LIQUID CAPACITY (WORKING VOLUME): 1500 US GAL.  
 RATED FLOW:  
 STD. MAX BURIAL DEPTH TO TOP OF TANK: 6 FT.  
 MAX VERTICAL LOAD: 1133 PSF  
 MONTH/YEAR OF MANUFACTURE:

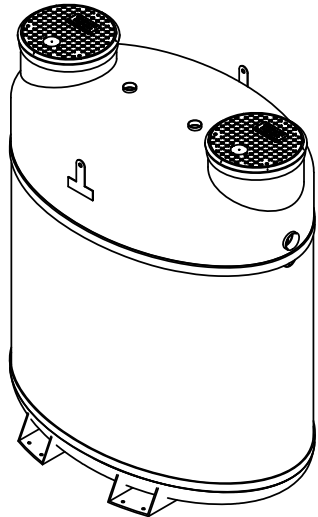
DETAIL "A"



FOR UPC/IAPMO INSTALLATIONS



SECTION A-A  
SCALE 1 : 35



FOR UPC/IAPMO INSTALLATIONS  
 APPROVED UNDER IAPMO / ANSI Z1001-2007  
 MEETS ASTM C-581

TITLE: PROCEPTOR F.O.G. SEPARATOR GMC 1500 UPC GALLON INTERCEPTOR 4" INLET & OUTLET 24" ACCESSWAY		REV	DATE	DRAWN
PROJECT: WO:		1	DECEMBER 18, 2007	L. SIMKINS
AVAILABLE OPTIONS (CHECKED IF REQUESTED)		2	JUNE 20, 2008	L. SIMKINS
<input type="checkbox"/>	GREASE SENSOR ALARM	3	NOVEMBER 16, 2009	L. SIMKINS
<input type="checkbox"/>	SUCTION PIPE FOR INDOOR INSTALLATION	4		
<input checked="" type="checkbox"/>	ABOVE GROUND INSTALLATION	5	OCTOBER 03, 2012	S. MANGAT
		6	NOVEMBER 13, 2012	S. MANGAT
		7	NOV. 11, 2014	
		8	APRIL 06, 2016	
		9	MAY 15, 2017	
		10		
DRAWN BY: L.SIMKINS		DATE DRAWN: AUG. 24, 2006		

**Proceptor®**

**ZURN®**

SIZE	DWG. NO.	REV.
A	GMC 1500 UPC	9
SCALE: 1:35	DO NOT SCALE DRAWING	SHEET 1 OF 1