

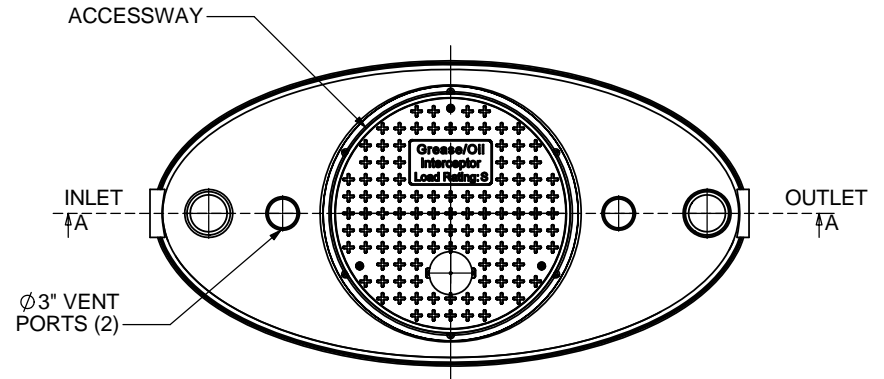
NOTES:

1. FOR GRAVITY APPLICATIONS ONLY.
2. ALL PROCEPTOR® UNITS ARE MANUFACTURED WITH FIBERGLASS REINFORCED PLASTICS. PHYSICAL CHARACTERISTICS AND THICKNESS: POLYESTER RESIN AND E GLASS MINIMUM THICKNESS 3/16" WALL AND 5/16" TOP AND BOTTOM BOWLS.
3. ALL PROCEPTOR® UNITS ARE TO BE INSTALLED IN ACCORDANCE WITH THE MANUFACTURERS INSTALLATION INSTRUCTION.
4. STANDARD PIPING IS SCH. 40 PVC.
5. GMC/OMC/SMC 50 - 300 UNITS COME STANDARD WITH 4" INLET AND OUTLET (OTHER PIPE SIZE OPTIONS AVAILABLE ON REQUEST).
6. EXTENSION COLLAR TO BE ORDERED TO MEET FINISHED GRADE, CUT ON SITE FOR FINAL ADJUSTMENT AND CAULKED WITH SIKAFLEX BY CONTRACTOR FOR WATERTIGHT SEAL.
7. COVERS AVAILABLE FOR H2O TRAFFIC LOADING, PEDESTRIAN LOADING OR ABOVE GROUND INSTALLATION.
8. CONSULT GREEN TURTLE™ FOR OTHER SIZES.
9. 30 YEAR WARRANTY AGAINST LEAKS, AND STRUCTURAL FAILURE.
10. U.S. PATENT #5,746,912; CDN PATENT #2,195,822

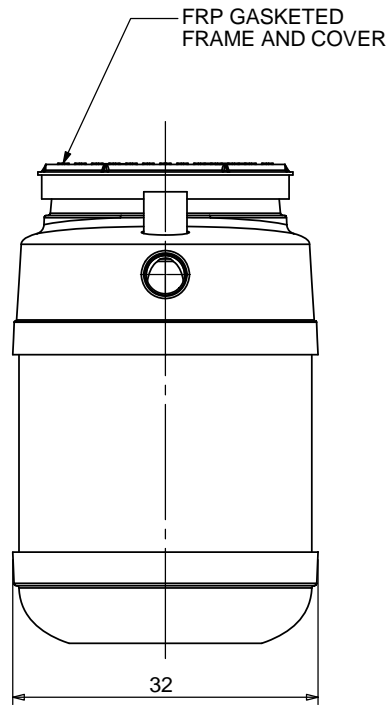
SPECIFICATIONS

PIPE SIZE: 4 INCH PVC SCH 40
 INSTALLATION: ABOVE GROUND
 ACCESSWAY SIZE: 24 INCHES

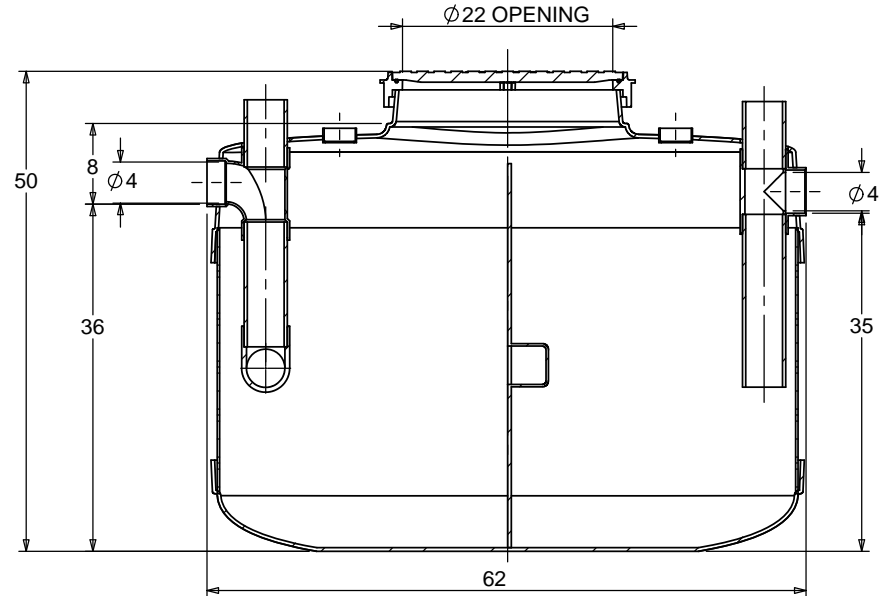
OPTIONS



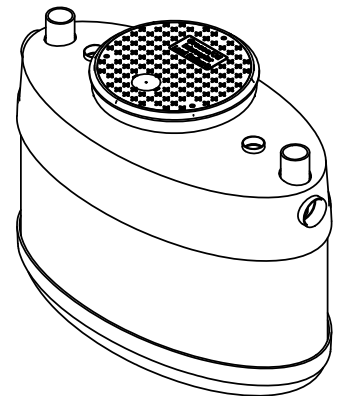
TOP VIEW



SIDE VIEW



SECTION A-A



ISOMETRIC VIEW

TOTAL WET VOLUME: 200 GAL
 MAX. GREASE CAPACITY: 90 GAL
 MAX SOLIDS CAPACITY: 72 GAL

CONSULT LOCAL AUTHORITIES FOR
 MINIMUM SIZE OF SEPARATORS

TITLE: PROCEPTOR® F.O.G. SEPARATOR
 GMC 200

ALL DIMENSIONS IN INCHES

PROJECT: WO:

NOTES:

REV	DATE	DRAWN
11	MARCH 23, 2017	
2		
3	JUNE 01, 2005	
4	OCTOBER 27, 2006	L. SIMKINS
5	DEC. 13, 2006	L. SIMKINS
6	JUNE 18, 2007	L. SIMKINS
7	NOV. 03, 2009	L. SIMKINS
8	AUG. 24, 2011	L. SIMKINS
9	APRIL 05, 2012	L. SIMKINS
10	OCT. 31, 2012	

DRAWN BY: F CHANDLER

DRAWN DATE 9/2/04

Proceptor®



SIZE **A** DWG. NO. **GMC 200**

REV. **11**

SCALE: 1:20 DO NOT SCALE DRAWING SHEET 1 OF 1