

NOTES:

1. FOR GRAVITY APPLICATIONS ONLY.
2. ALL PROCEPTOR® UNITS ARE MANUFACTURED WITH FIBERGLASS REINFORCED PLASTICS. PHYSICAL CHARACTERISTICS AND THICKNESS: POLYESTER RESIN AND E GLASS MINIMUM THICKNESS 3/16" WALL AND 5/16" TOP AND BOTTOM BOWLS.
3. ALL PROCEPTOR® UNITS ARE TO BE INSTALLED IN ACCORDANCE WITH THE MANUFACTURERS INSTALLATION INSTRUCTION.
4. STANDARD PIPING IS SCH. 40 PVC.
5. GMC/OMC/SMC 50 - 300 UNITS COME STANDARD WITH 4" INLET AND OUTLET (OTHER PIPE SIZE OPTIONS AVAILABLE ON REQUEST).
6. EXTENSION COLLAR TO BE ORDERED TO MEET FINISHED GRADE, CUT ON SITE FOR FINAL ADJUSTMENT AND CAULKED WITH SIKAFLEX BY CONTRACTOR FOR WATERTIGHT SEAL.
7. COVERS AVAILABLE FOR H2O TRAFFIC LOADING, PEDESTRIAN LOADING OR ABOVE GROUND INSTALLATION.
8. CONSULT GREEN TURTLE™ FOR OTHER SIZES.
9. 30 YEAR WARRANTY AGAINST LEAKS, AND STRUCTURAL FAILURE.
10. U.S. PATENT #5,746,912; CDN PATENT #2,195,822

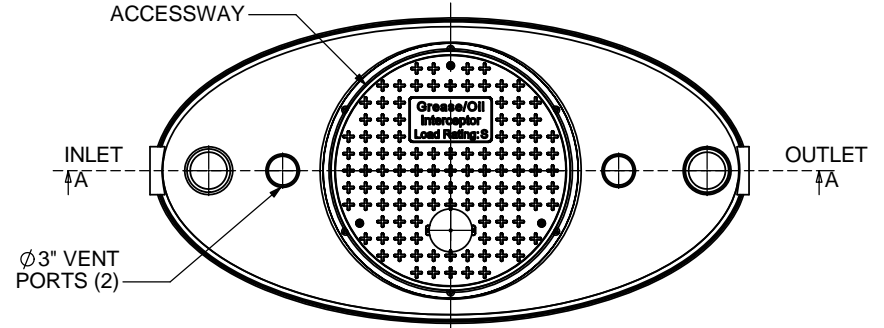
US PAT. # 5746912

Proceptor®

MANUFACTURER: ZURN GREEN TURTLE

PROCEPTOR MODEL NUMBER:
 STANDARDS: PDI G-101 and ASME A112.14.3
 LIQUID CAPACITY (WORKING VOLUME): 250 US GAL.
 RATED FLOW:
 PRODUCT TYPE BY RATING: TYPE A
 EFFICIENCY AT THE RATED CAPACITY: 90%
 STD. MAX BURIAL DEPTH TO TOP OF TANK: 6 FT.
 MAX VERTICAL LOAD: 1133 PSF
 MONTH/YEAR OF MANUFACTURE:

DETAIL "A1"



TOP VIEW

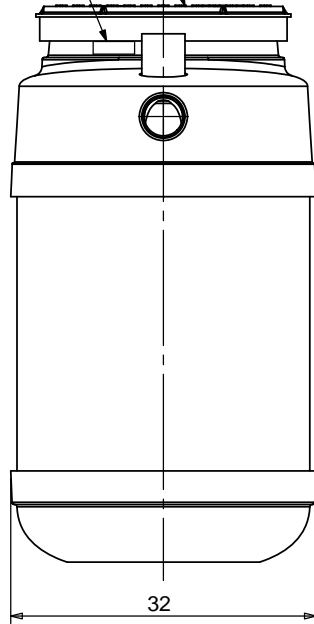
SPECIFICATIONS

PIPE SIZE: 4 INCH PVC SCH 40
 INSTALLATION: ABOVE GROUND
 ACCESSWAY SIZE: 24 INCHES

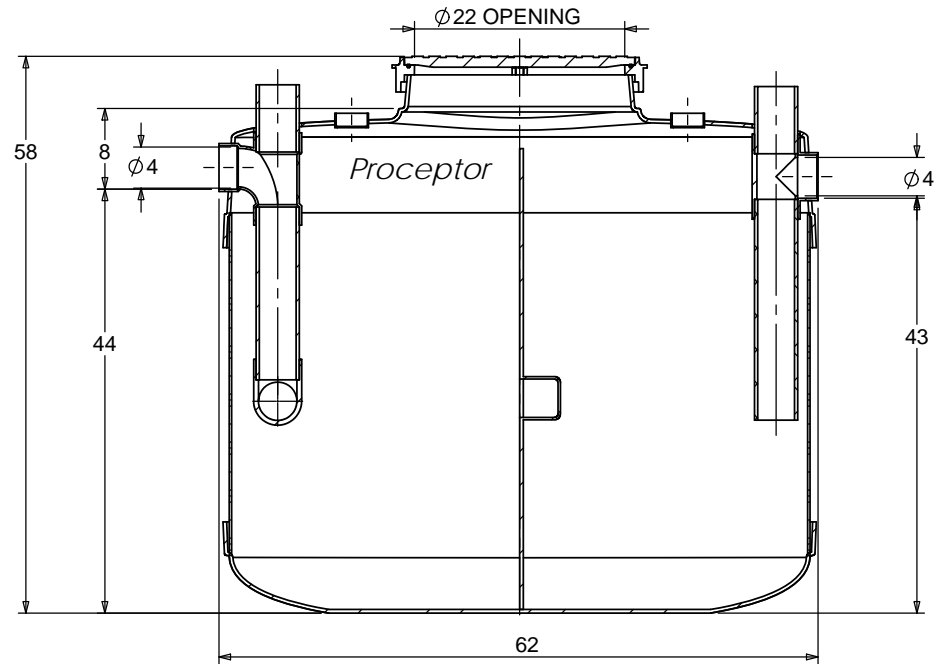
OPTIONS

FRP GASKETED
 FRAME AND COVER

DETAIL "A1":
 LABEL INSIDE
 TANK NECK

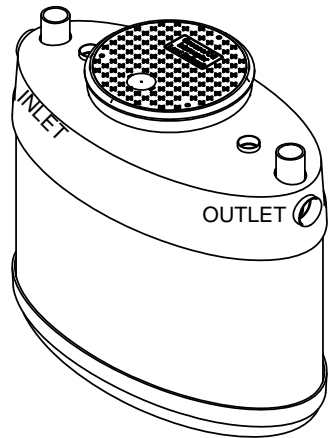


SIDE VIEW



SECTION A-A

Must be installed with flow control device supplied with each unit



ISOMETRIC VIEW

TOTAL WET VOLUME: 250 GAL
 MAX. GREASE CAPACITY: 119 GAL
 MAX SOLIDS CAPACITY: 91 GAL

ASME A112.14.3 CERTIFIED
 RATED FLOW: 100 GPM
 PRODUCT TYPE BY RATING: TYPE A
 EFFICIENCY AT THE RATED CAPACITY: 90%

CONSULT LOCAL AUTHORITIES FOR
 MINIMUM SIZE OF SEPARATORS

TITLE: PROCEPTOR® F.O.G. SEPARATOR
 GMC 250

REV	DATE	DRAWN
1	JULY 30, 2014	
2	AUGUST 25, 2014	
3	MAY 01, 2017	
4		
5		
6		
7		
8		
9		
10		

ALL DIMENSIONS IN INCHES

PROJECT: WO:

NOTES:

DRAWN BY: SM
 DRAWN DATE: JUNE 18, 2013

Proceptor®



SIZE A	DWG. NO. GMC-250	REV. 3
SCALE: 1:20		DO NOT SCALE DRAWING
SHEET 1 OF 1		