


NOTES:

1. FOR GRAVITY APPLICATIONS ONLY.
2. ALL PROCEPTOR UNITS ARE MANUFACTURED WITH FIBERGLASS REINFORCED PLASTICS. PHYSICAL CHARACTERISTICS AND THICKNESS: POLYESTER RESIN AND E GLASS MINIMUM THICKNESS 1/4" WALL AND 3/8" TOP AND BOTTOM BOWLS.
3. ALL PROCEPTOR UNITS ARE TO BE INSTALLED IN ACCORDANCE WITH THE MANUFACTURERS INSTALLATION INSTRUCTION.
4. STANDARD PIPING IS SCH. 40 PVC.
5. GMC/OMC 500 - 3000 UNITS COME STANDARD WITH 4" INLET AND OUTLET (OTHER PIPE SIZE OPTIONS AVAILABLE ON REQUEST).
6. EXTENSION COLLAR TO BE ORDERED TO MEET FINISHED GRADE, CUT ON SITE FOR FINAL ADJUSTMENT AND CAULKED WITH SIKAFLEX BY CONTRACTOR FOR WATERTIGHT SEAL.
7. COVERS AVAILABLE FOR H2O TRAFFIC LOADING, PEDESTRIAN LOADING OR ABOVE GROUND INSTALLATION.
8. CONSULT GREEN TURTLE FOR OTHER SIZES.
9. 30 YEAR WARRANTY AGAINST LEAKS, AND STRUCTURAL FAILURE.
10. U.S. PATENT #5,746,912; CDN PATENT #2,195,822

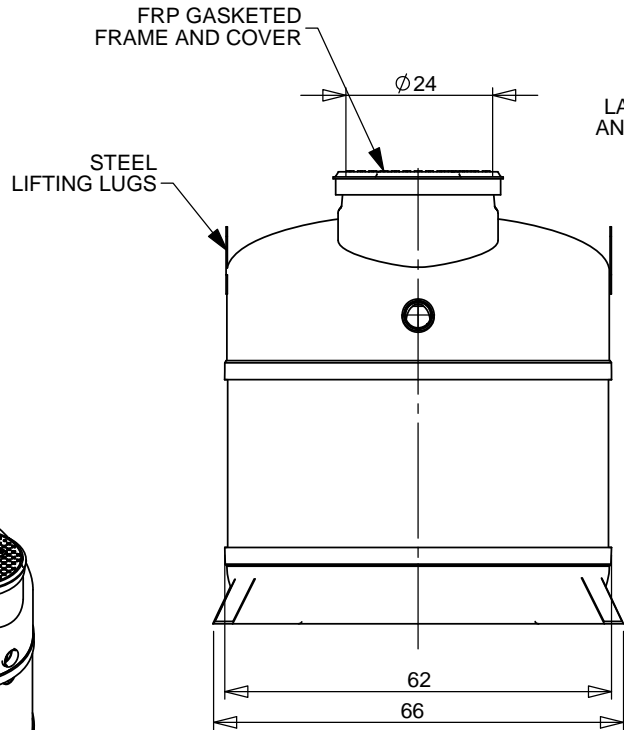
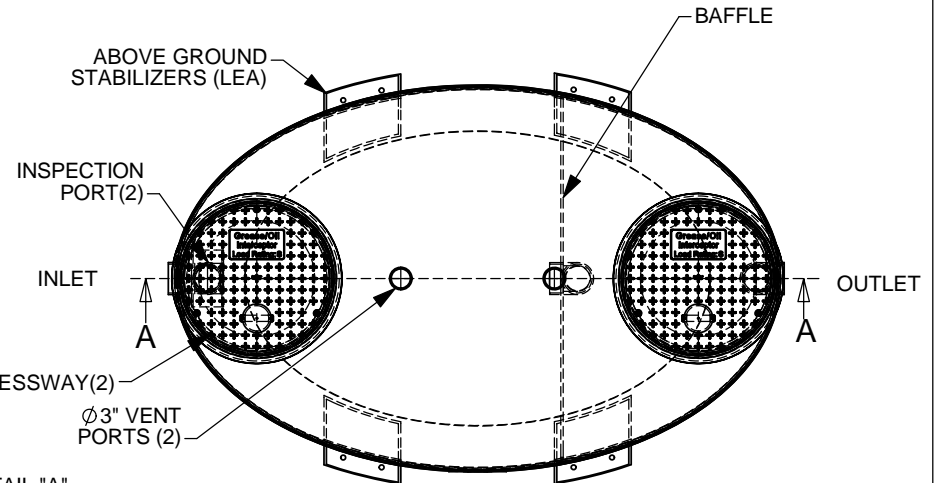
US PAT. # 5746912

Proceptor® 

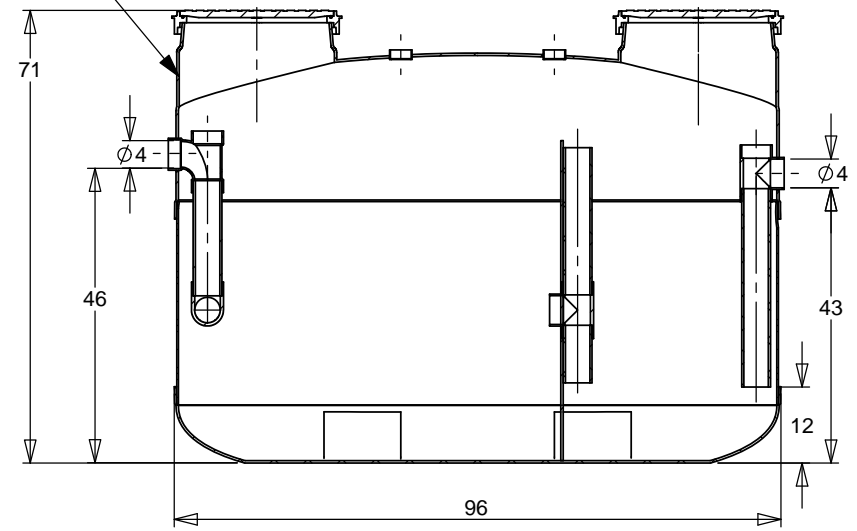
MANUFACTURER: ZURN GREEN TURTLE

PROCEPTOR MODEL NUMBER: GMC 750 UPC
 LIQUID CAPACITY (WORKING VOLUME): 750 US GAL.
 RATED FLOW: 6 FT.
 STD. MAX BURIAL DEPTH TO TOP OF TANK: 1133 PSF
 MONTH/YEAR OF MANUFACTURE:

DETAIL "A"



DETAIL "A" LABEL INSIDE AND OUTSIDE



FOR UPC/IAPMO INSTALLATIONS

SECTION A-A
SCALE 1 : 30

FOR UPC/IAPMO INSTALLATIONS
APPROVED UNDER IAPMO / ANSI Z1001-2007
MEETS ASTM C-581

TITLE: PROCEPTOR F.O.G. SEPARATOR GMC 750 UPC GALLON INTERCEPTOR 4" INLET & OUTLET 24" ACCESSWAY		REV	DATE	DRAWN
PROJECT: WO:		11	MAY 15, 2017	
AVAILABLE OPTIONS (CHECKED IF REQUESTED)		2	9/20/5	L. SIMKINS
<input type="checkbox"/> OIL/GREASE SENSOR ALARM		3	JANUARY 2, 2007	L. SIMKINS
<input type="checkbox"/> SUCTION PIPE FOR INDOOR INSTALLATION		4	MAY 12, 2008	L. SIMKINS
<input type="checkbox"/> DOUBLE WALL CONSTRUCTION		5	NOVEMBER 16, 2009	L. SIMKINS
<input checked="" type="checkbox"/> ABOVE GROUND CONFIGURATION		6	APRIL 3, 2012	L. SIMKINS
		7	OCTOBER 01, 2012	S. MANGAT
		8	FEBRUARY 11, 2013	S. MANGAT
		9	NOV. 11, 2014	
		10	JANUARY 06, 2016	
		DRAWN BY: F CHANDLER		
		DATE DRAWN: 6/15/04		



SIZE	DWG. NO.	REV.
A	GMC 750 UPC	11
SCALE:1:30	DO NOT SCALE DRAWING	SHEET 1 OF 1