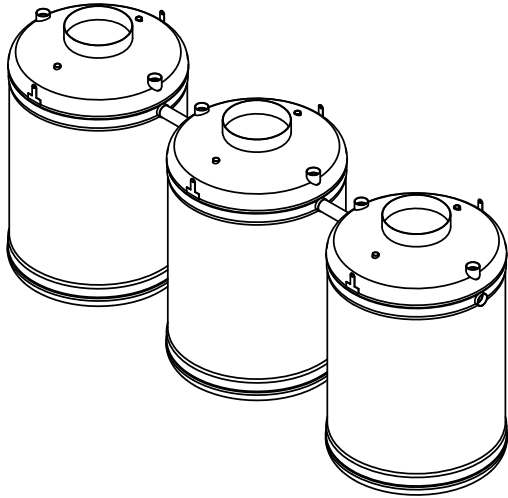
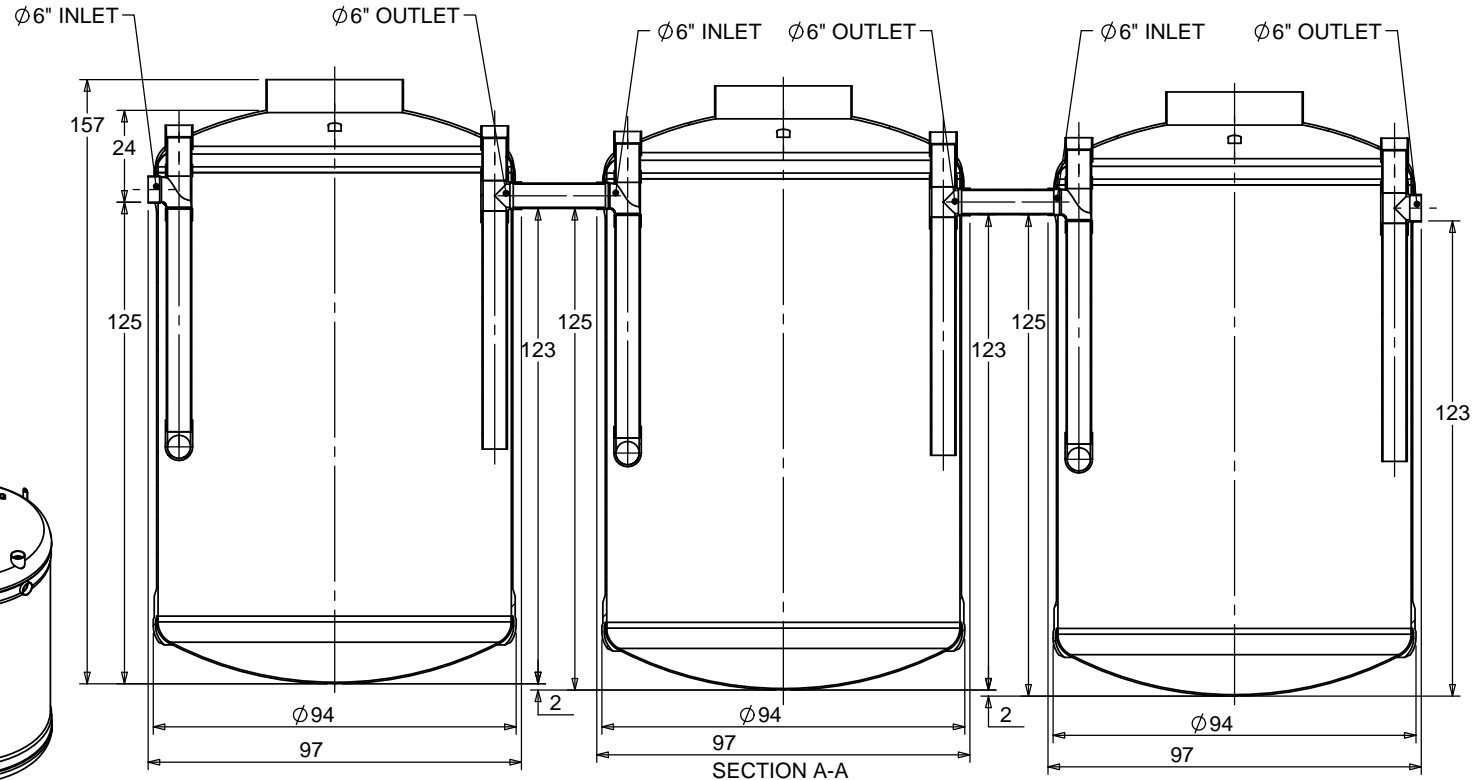
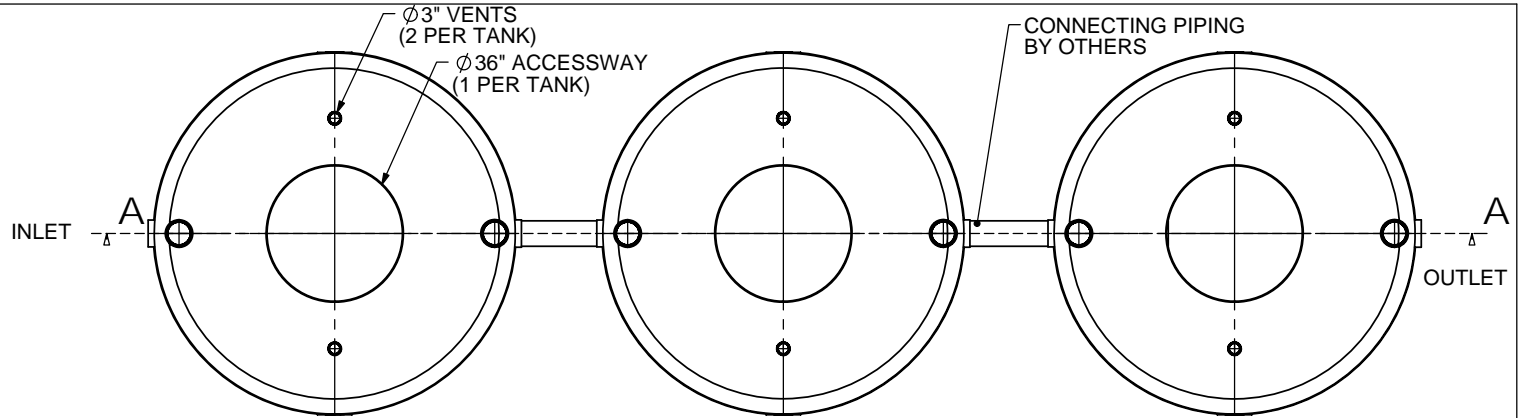


**NOTES:**

1. FOR GRAVITY APPLICATIONS ONLY.
2. ALL PROCEPTOR UNITS ARE MANUFACTURED WITH FIBERGLASS REINFORCED PLASTICS; PHYSICAL CHARACTERISTICS:  
ISOPHTHALIC POLYESTER RESIN WITH E GLASS.
3. ALL PROCEPTOR UNITS ARE TO BE INSTALLED IN ACCORDANCE WITH THE MANUFACTURERS INSTALLATION INSTRUCTION.
4. STANDARD PIPING IS SCH. 40 PVC.
5. GMC/OMC 4,000 - 10,000 UNITS COME STANDARD WITH 6" INLET AND OUTLET (OTHER CUSTOM SIZES AVAILABLE AT EXTRA CHARGE).
6. ADVISE GREEN TURTLE OF INVERT DEPTH; DEEP INSTALLATIONS MAY REQUIRE CUSTOM REINFORCEMENT.
7. EXTENSION COLLAR TO BE ORDERED TO MEET FINISHED GRADE, CUT ON SITE FOR FINAL ADJUSTMENT, AND CAULKED WITH SIKAFLEX BY CONTRACTOR FOR WATERTIGHT SEAL.
8. COVERS AVAILABLE FOR H2O TRAFFIC LOADING, PEDESTRIAN LOADING OR ABOVE GROUND INSTALLATION.
9. CONSULT GREEN TURTLE FOR OTHER SIZES.
10. 30 YEAR WARRANTY AGAINST LEAKS, AND STRUCTURAL FAILURE.
11. U.S. PATENT #5,746,912; CDN PATENT #2,195,822



TOTAL WET VOLUME: 10,000 GAL  
 MAX. OIL CAPACITY: 4795 GAL  
 MAX SOLIDS CAPACITY: 3700 GAL

CONSULT LOCAL AUTHORITIES FOR MINIMUM SIZE OF SEPARATORS

TITLE: PROCEPTOR F.O.G. SEPARATOR		REV	DATE	DRAWN
OMC 10,000(3) GALLON INTERCEPTOR		1	JANUARY 8, 2008	L. SIMKINS
6" INLET & OUTLET		2	NOVEMBER 13, 2009	L. SIMKINS
36" ACCESSWAY		3	SEPTEMBER 1, 2010	L. SIMKINS
ALL DIMENSIONS IN INCHES		4	APRIL 2, 2012	L. SIMKINS
PROJECT: WO:		5	SEPT. 15, 2014	
AVAILABLE OPTIONS (CHECKED IF REQUESTED)		6		
<input type="checkbox"/> OIL AND GREASE SENSOR ALARM		7		
<input type="checkbox"/> SUCTION PIPE FOR INDOOR INSTALLATION		8		
<input type="checkbox"/> ABOVE GROUND INSTALLATION		9		
		10		
		DRAWN BY: L. SIMKINS		
		DRAWN DATE: FEBRUARY 9, 2006		

**Proceptor<sup>®</sup>**  
 by greenturtle<sup>®</sup>  
 US 877 428 8187 CAN 877 966 9444  
[www.greenturtletech.com](http://www.greenturtletech.com)

SIZE	DWG. NO.	REV.
A	OMC 10000(3)	5

SCALE: 1:50 DO NOT SCALE DRAWING SHEET 1 OF 1