


**NOTES:**

1. FOR GRAVITY APPLICATIONS ONLY.
2. ALL PROCEPTOR® UNITS ARE MANUFACTURED WITH FIBERGLASS REINFORCED PLASTICS. PHYSICAL CHARACTERISTICS AND THICKNESS: POLYESTER RESIN AND E GLASS MINIMUM THICKNESS 1/4" WALL AND 3/8" TOP AND BOTTOM BOWLS.
3. ALL PROCEPTOR® UNITS ARE TO BE INSTALLED IN ACCORDANCE WITH THE MANUFACTURERS INSTALLATION INSTRUCTION.
4. STANDARD PIPING IS SCH. 40 PVC.
5. GMC/OMC/SMC 50 - 300 UNITS COME STANDARD WITH 4" INLET AND OUTLET (OTHER CUSTOM SIZES AVAILABLE AT EXTRA CHARGE).
6. EXTENSION COLLAR TO BE ORDERED TO MEET FINISHED GRADE, CUT ON SITE FOR FINAL ADJUSTMENT AND CAULKED WITH SIKAFLEX BY CONTRACTOR FOR WATERTIGHT SEAL.
7. COVERS AVAILABLE FOR H2O TRAFFIC LOADING, PEDESTRIAN LOADING OR ABOVE GROUND INSTALLATION.
8. CONSULT GREENTURTLE™ FOR OTHER SIZES.
9. 30 YEAR WARRANTY AGAINST LEAKS, AND STRUCTURAL FAILURE.
10. U.S. PATENT #5,746,912; CDN PATENT #2,195,822

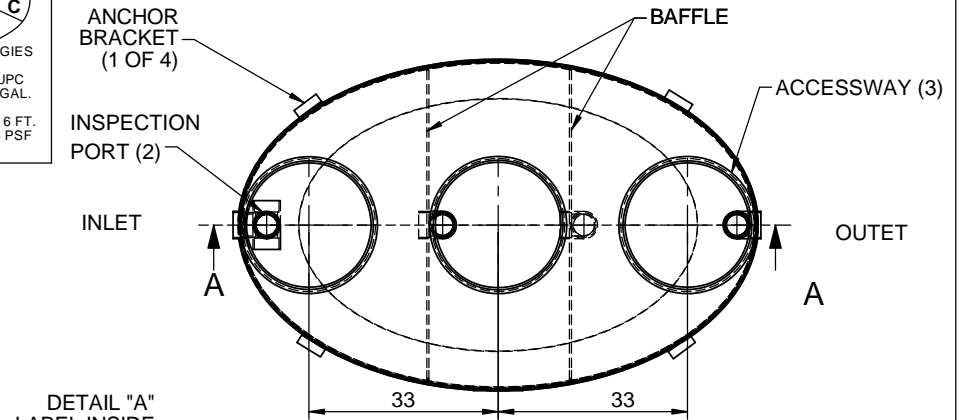
US PAT. # 5746912

**Proceptor®** 

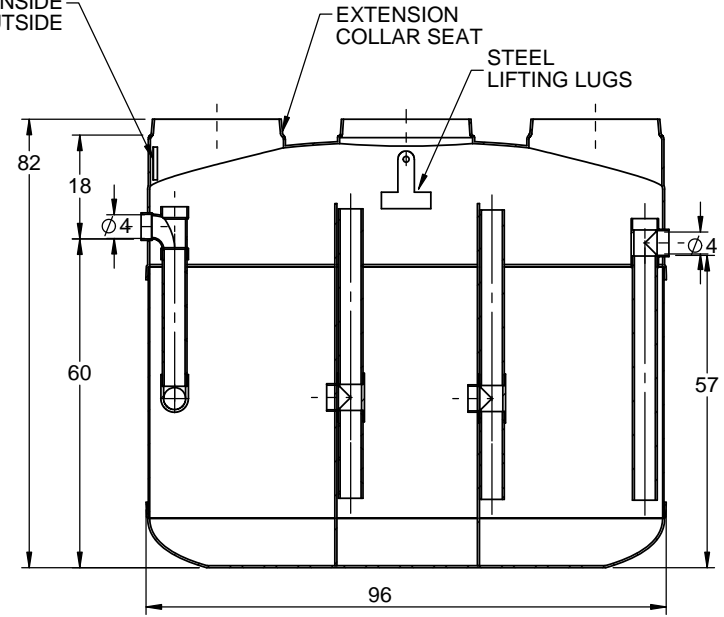
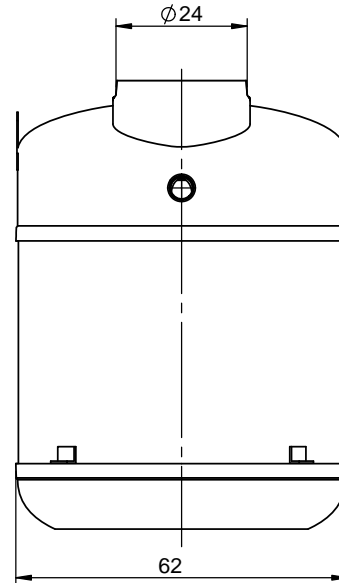
MANUFACTURER: GREEN TURTLE TECHNOLOGIES

PROCEPTOR MODEL NUMBER: OMC 1000 UPC  
 LIQUID CAPACITY (WORKING VOLUME): 1000 US GAL.  
 RATED FLOW: 6 FT.  
 STD. MAX BURIAL DEPTH TO TOP OF TANK: 1133 PSF  
 MAX VERTICAL LOAD:  
 MONTH/YEAR OF MANUFACTURE:

DETAIL "A"

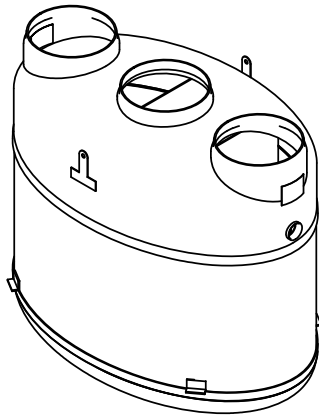


DETAIL "A" LABEL INSIDE & OUTSIDE



FOR UPC/IAPMO INSTALLATIONS

SECTION A-A  
SCALE 1 : 35



MANUFACTURED IN COMPLIANCE WITH IAPMO PS 80-2008

TITLE: PROCEPTOR OIL SEPARATOR OMC 1000 UPC GALLON INTERCEPTOR 4" INLET & OUTLET 24" ACCESSWAY		REV	DATE	DRAWN
PROJECT: WO:		1	6/15/04	F. CHANDLER
AVAILABLE OPTIONS (CHECKED IF REQUESTED)		2	9/15/05	L. SIMKINS
<input type="checkbox"/> OIL/GREASE SENSOR ALARM		3	12/20/05	L. SIMKINS
<input type="checkbox"/> SUCTION PIPE FOR INDOOR INSTALLATION		4	DEC. 27, 2006	L. SIMKINS
<input type="checkbox"/> ABOVE GROUND CONFIGURATION		5	MAY 14, 2008	L. SIMKINS
<input type="checkbox"/> DOUBLE WALL CONSTRUCTION		6	NOVEMBER 17, 2009	L. SIMKINS
		7	APRIL 4, 2012	L. SIMKINS
		8	FEBRUARY 14, 2013	S. MANGAT
		9	JULY 16, 2015	
		10		
DRAWN BY: F. CHANDLER		DATE DRAWN: 6/15/04		

**Proceptor®**  
 by greenturtle®  
 US 877 428 8187 CAN 877 966 9444  
 www.greenturtletech.com

SIZE	DWG. NO.	REV.
A	OMC 1000 UPC	9
SCALE:1:35	DO NOT SCALE DRAWING	SHEET 1 OF 1