

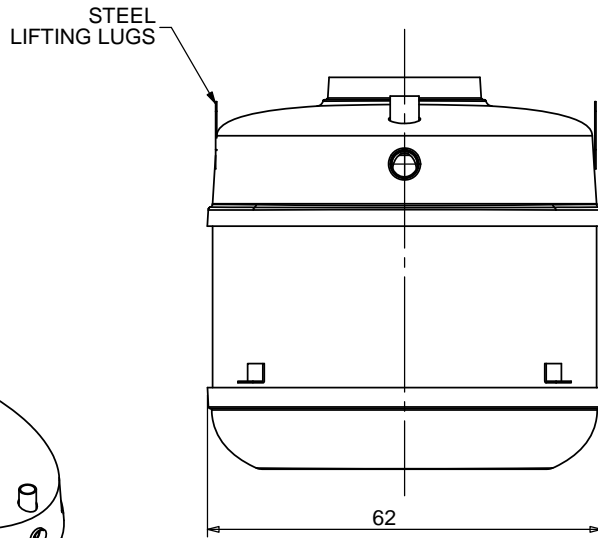
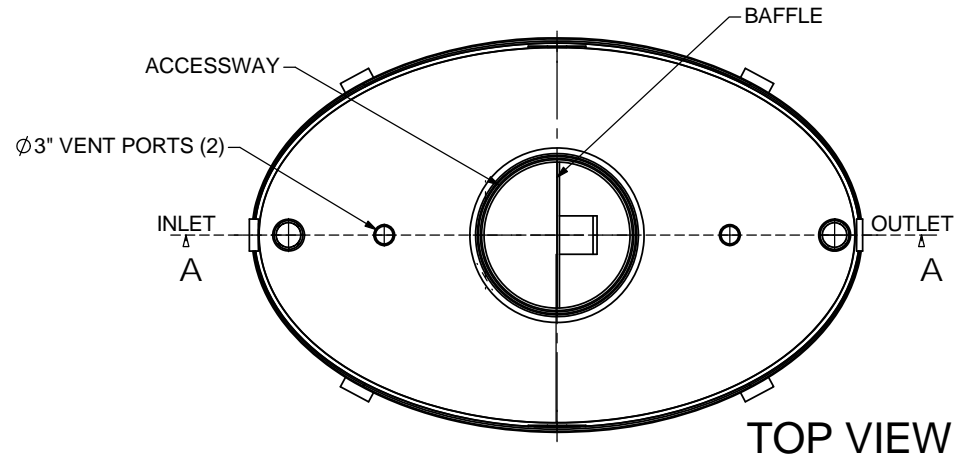
NOTES:

1. FOR GRAVITY APPLICATIONS ONLY.
2. ALL PROCEPTOR UNITS ARE MANUFACTURED WITH FIBERGLASS REINFORCED PLASTICS. PHYSICAL CHARACTERISTICS AND THICKNESS: POLYESTER RESIN AND E GLASS MINIMUM THICKNESS 1/4" WALL AND 3/8" TOP AND BOTTOM BOWLS.
3. ALL PROCEPTOR UNITS ARE TO BE INSTALLED IN ACCORDANCE WITH THE MANUFACTURERS INSTALLATION INSTRUCTION.
4. STANDARD PIPING IS SCH. 40 PVC.
5. GMC/OMC 500 - 3000 UNITS COME STANDARD WITH 4" INLET AND OUTLET (OTHER PIPE SIZE OPTIONS AVAILABLE ON REQUEST).
6. EXTENSION COLLAR TO BE ORDERED TO MEET FINISHED GRADE, CUT ON SITE FOR FINAL ADJUSTMENT AND CAULKED WITH SIKAFLEX BY CONTRACTOR FOR WATERTIGHT SEAL.
7. COVERS AVAILABLE FOR H2O TRAFFIC LOADING, PEDESTRIAN LOADING OR ABOVE GROUND INSTALLATION.
8. CONSULT GREEN TURTLE FOR OTHER SIZES.
9. 30 YEAR WARRANTY AGAINST LEAKS, AND STRUCTURAL FAILURE.
10. U.S. PATENT #5,746,912; CDN PATENT #2,195,822

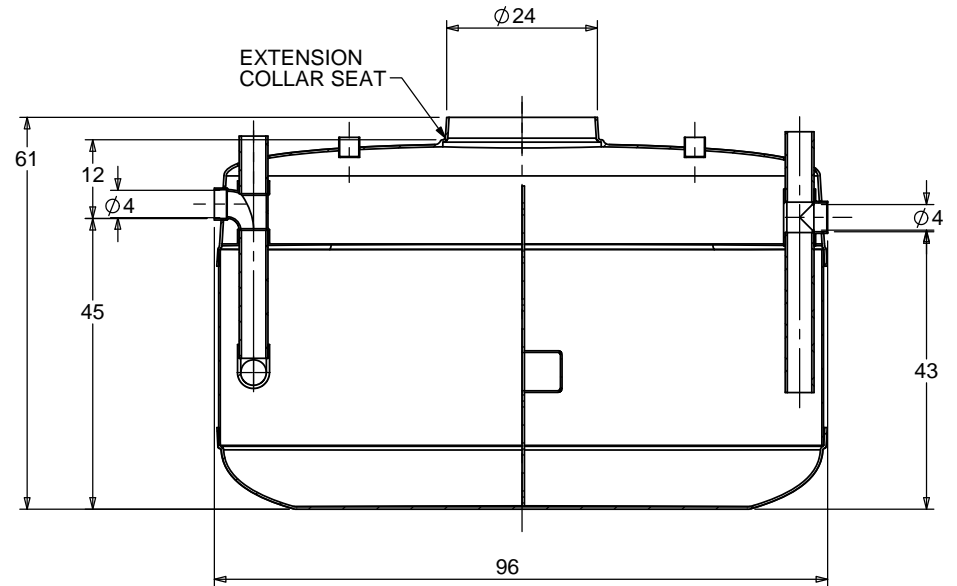
SPECIFICATIONS

PIPE SIZE: 4 INCH PVC SCH 40
 INSTALLATION: BURIED
 ACCESSWAY SIZE: 24 INCHES

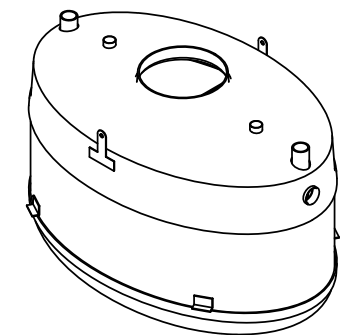
OPTIONS



SIDE VIEW



SECTION A-A



ISOMETRIC VIEW

TOTAL WET VOLUME:	750 GAL
MAX. OIL CAPACITY:	410 GAL
MAX SOLIDS CAPACITY:	200 GAL

CONSULT LOCAL AUTHORITIES FOR MINIMUM SIZE OF SEPARATORS

TITLE: **PROCEPTOR® OIL SEPARATOR**
 OMC 750

ALL DIMENSIONS IN INCHES

PROJECT: WO:

NOTES:

REV	DATE	DRAWN
1		
2		
3		
4	JANUARY 4, 2007	L. SIMKINS
5	NOV. 10, 2009	L. SIMKINS
6	MARCH 14, 2012	L. SIMKINS
7	JUNE 06, 2016	
8	APRIL 17, 2017	
9		
10		

DRAWN BY: F CHANDLER

DRAWN DATE 10/5/04

Proceptor®



SIZE	DWG. NO.	REV.
A	OMC 750	8

SCALE:1:30 DO NOT SCALE DRAWING SHEET 1 OF 1