

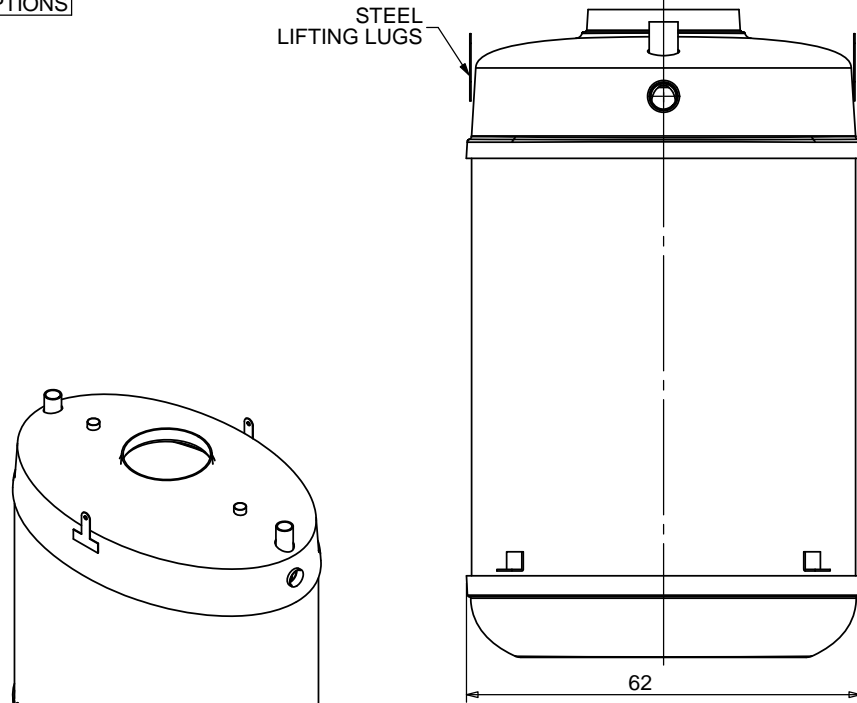
NOTES:

1. FOR GRAVITY APPLICATIONS ONLY.
2. ALL UNITS ARE MANUFACTURED WITH FIBERGLASS REINFORCED PLASTICS. PHYSICAL CHARACTERISTICS AND THICKNESS: POLYESTER RESIN AND E GLASS MINIMUM THICKNESS 1/4" WALL AND 3/8" TOP AND BOTTOM BOWLS.
3. ALL UNITS ARE TO BE INSTALLED IN ACCORDANCE WITH THE MANUFACTURERS INSTALLATION INSTRUCTION.
4. STANDARD PIPING IS SCHEDULE 40 PVC.
5. SMC 500 - 1500 UNITS COME STANDARD WITH 4" INLET (OTHER CUSTOM SIZES AVAILABLE ON REQUEST).
6. EXTENSION COLLAR TO BE ORDERED TO MEET FINISHED GRADE, CUT ON SITE FOR FINAL ADJUSTMENT AND CAULKED WITH SIKAFLEX BY CONTRACTOR IF WATERTIGHT SEAL REQUIRED.
7. COVERS AVAILABLE FOR H2O TRAFFIC LOADING, PEDESTRIAN LOADING OR ABOVE GROUND INSTALLATION.
8. CONSULT GREEN TURTLE FOR OTHER SIZES.
9. 30 YEAR WARRANTY AGAINST LEAKS, AND STRUCTURAL FAILURE.

SPECIFICATIONS

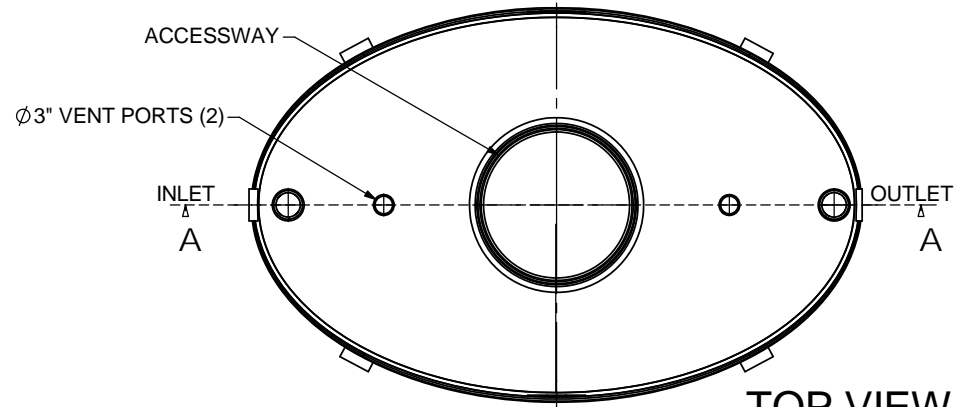
PIPE SIZE: 4 INCH PVC SCH 40
 INSTALLATION: BURIED
 ACCESSWAY SIZE: 24 INCHES

OPTIONS

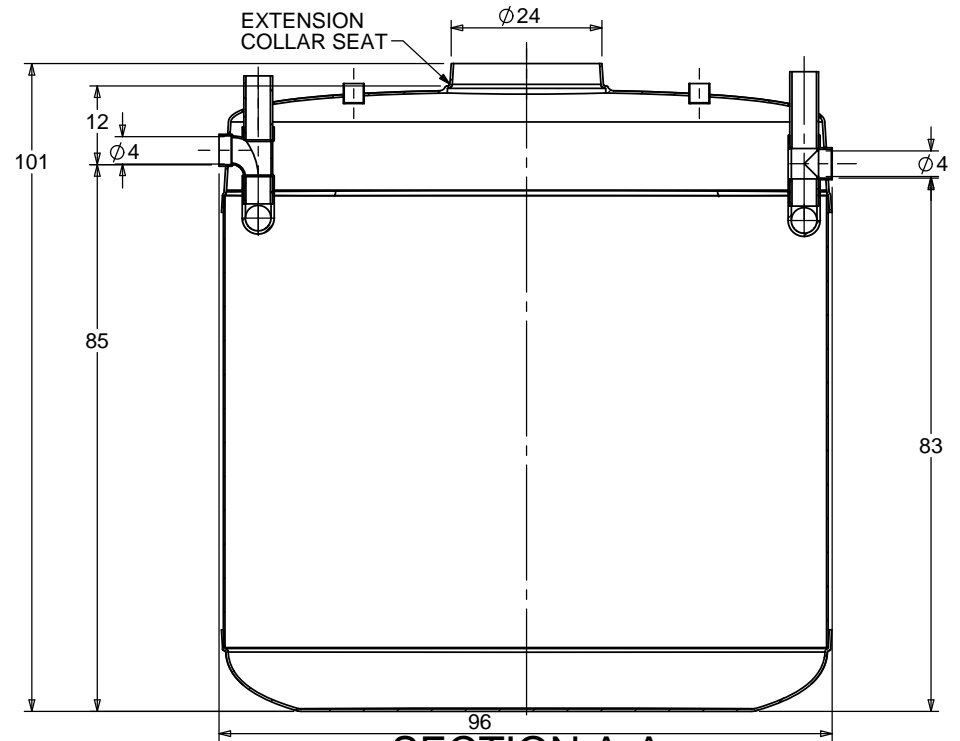


SIDE VIEW

ISOMETRIC VIEW



TOP VIEW



SECTION A-A

TITLE: SOLIDS INTERCEPTOR
 SMC 1500 US GALLONS

ALL DIMENSIONS IN INCHES

PROJECT: WO:

NOTES:

REV	DATE	DRAWN
1	AUGUST 28, 2011	
2	APRIL 23, 2012	
3	APRIL 21, 2017	
4		
5		
6		
7		
8		
9		
10		

DRAWN BY: LISA SIMKINS

DRAWN DATE: APRIL 22, 2008

Proceptor®

ZURN®

SIZE **A** DWG. NO. **SMC 1500**

REV. **3**

SCALE: 1:30 DO NOT SCALE DRAWING SHEET 1 OF 1