

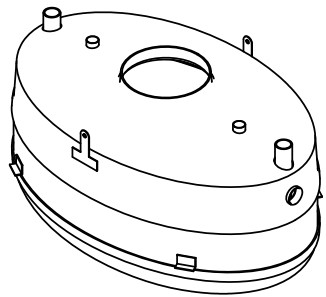
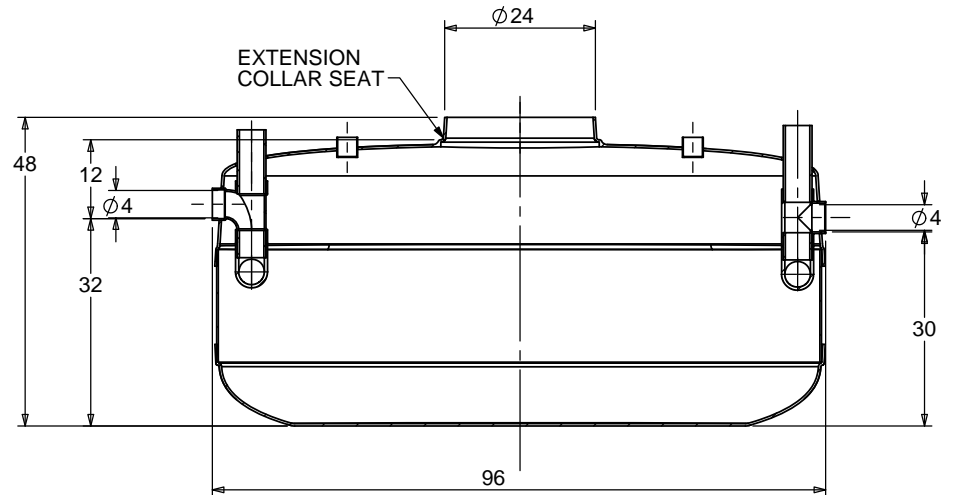
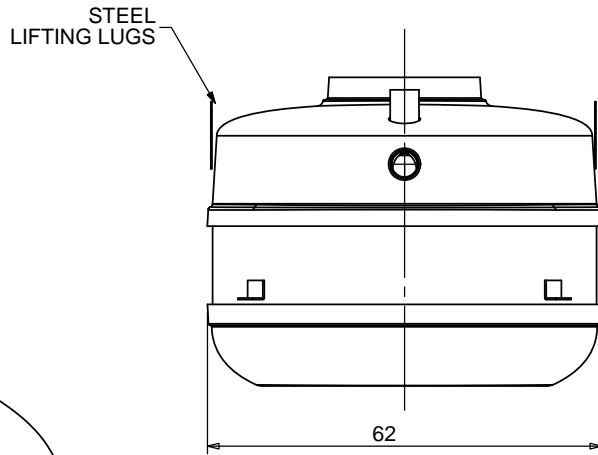
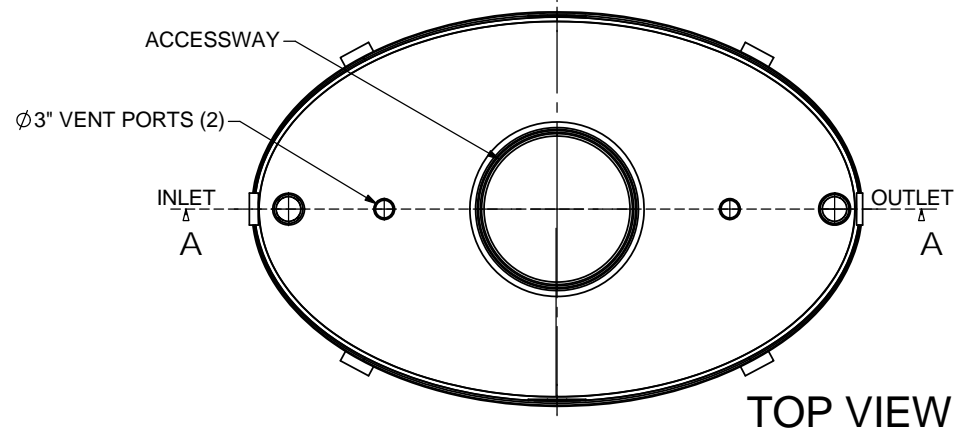
**NOTES:**

- 1. FOR GRAVITY APPLICATIONS ONLY.
- 2. ALL UNITS ARE MANUFACTURED WITH FIBERGLASS REINFORCED PLASTICS. PHYSICAL CHARACTERISTICS AND THICKNESS: POLYESTER RESIN AND E GLASS MINIMUM THICKNESS 1/4" WALL AND 3/8" TOP AND BOTTOM BOWLS.
- 3. ALL UNITS ARE TO BE INSTALLED IN ACCORDANCE WITH THE MANUFACTURERS INSTALLATION INSTRUCTION.
- 4. STANDARD PIPING IS SCHEDULE 40 PVC.
- 5. SMC 500 - 1500 UNITS COME STANDARD WITH 4" INLET (OTHER CUSTOM SIZES AVAILABLE ON REQUEST).
- 6. EXTENSION COLLAR TO BE ORDERED TO MEET FINISHED GRADE, CUT ON SITE FOR FINAL ADJUSTMENT AND CAULKED WITH SIKAFLEX BY CONTRACTOR IF WATERTIGHT SEAL REQUIRED.
- 7. COVERS AVAILABLE FOR H2O TRAFFIC LOADING, PEDESTRIAN LOADING OR ABOVE GROUND INSTALLATION.
- 8. CONSULT GREEN TURTLE FOR OTHER SIZES.
- 9. 30 YEAR WARRANTY AGAINST LEAKS, AND STRUCTURAL FAILURE.

**SPECIFICATIONS**

PIPE SIZE: 4 INCH PVC SCH 40  
 INSTALLATION: BURIED  
 ACCESSWAY SIZE: 24 INCHES

**OPTIONS**



SIDE VIEW

SECTION A-A

ISOMETRIC VIEW

|   |  |  |   |  |                      |                  |                     |                  |
|---|--|--|---|--|----------------------|------------------|---------------------|------------------|
| TITLE: SOLIDS INTERCEPTOR<br>SMC 500 US GALLONS     |  | REV<br>1<br>2<br>3<br>4<br>5<br>6<br>7<br>8<br>9<br>10 | DATE<br>APRIL 23, 2012<br>JUNE 03, 2015<br>APRIL 15, 2016<br>APRIL 21, 2017 | DRAWN<br>L. SIMKINS                                  |                      |                  |                     |                  |
| ALL DIMENSIONS IN INCHES<br>PROJECT:            WO: |  | NOTES:<br><br><br><br><br><br><br><br>                 |   | DRAWN BY: LISA SIMKINS<br>DRAWN DATE: APRIL 22, 2008 |                      | SIZE<br><b>A</b> | DWG. NO.<br>SMC 500 | REV.<br><b>5</b> |
|   |  |  |   | SCALE: 1:30  | DO NOT SCALE DRAWING | SHEET 1 OF 1     |                     |                  |