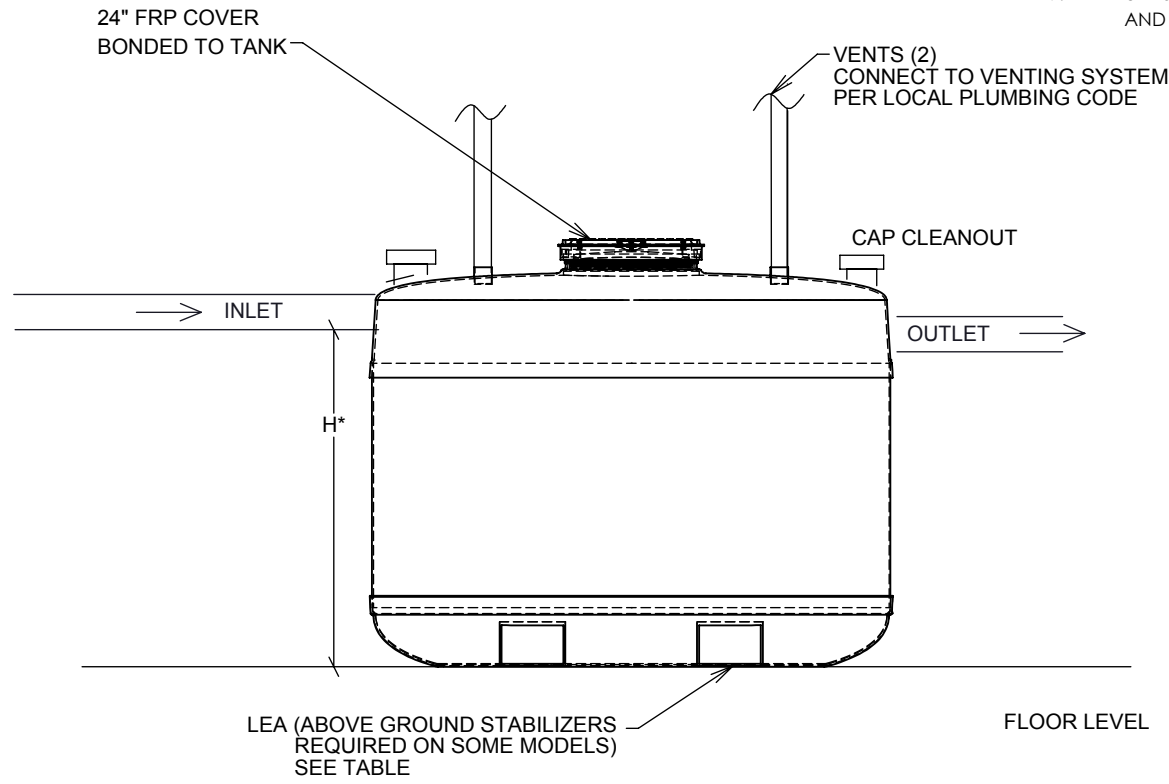


PROCEPTOR GMC, OMC, SMC 50-1500 SINGLE TANK ABOVE GROUND INSTALLATION

NOTES:

1. ENSURE FLOOR IS LEVEL, SMOOTH AND IS ABLE TO SUPPORT THE WEIGHT OF THE TANKS FULL OF WATER AT THE INSTALLATION LOCATION. TANK BOTTOM IS TO BE FULLY SUPPORTED.
2. MOVE TANKS INTO POSITION. CHECK FIT AND LOCATION OF INLET, OUTLET AND VENT PIPING.
3. IF APPLICABLE, CONNECT OUTLET OF UPSTREAM TANK WITH INLET OF DOWNSTREAM TANK
4. ENSURE ACCESSWAY IS ACCESSIBLE FOR COVER REMOVAL AND PUMPOUT AS WELL AS ACCESS TO THE INTERIOR. ENSURE ALL OTHER PORTS ARE ACCESSIBLE FOR INSTALLATION AND MAINTENANCE.
ALARM OR LEVEL PROBE (IF SUPPLIED) SHOULD HAVE SUFFICIENT HEADSPACE FOR REMOVAL FOR SERVICE.
5. ENSURE AREA AROUND TANK IS HEATED TO PREVENT FREEZING OF WATER IN TANKS AND PIPES.
6. THE STABILIZATION BRACKETS (IF EQUIPPED) MAY BE AFFIXED TO FLOOR IF DESIRED.
7. SEISMIC RESTRAINTS TO BE PROVIDED BY OTHERS IF REQUIRED BY LOCAL AUTHORITIES
8. INSTALL INLET, OUTLET AND VENT PIPES TO MEET LOCAL PLUMBING CODE.
9. UNITS MUST BE INSTALLED IN ACCORDANCE WITH ALL RELEVANT FEDERAL, STATE/PROVINCIAL AND LOCAL CODES



PROCEPTOR SEPARATOR MODEL	INLET INVERT TO TANK BOTTOM (H)	WEIGHT OF TANK FULL OF WATER	WEIGHT OF EMPTY TANK
MC 50	12"	550	130
MC 100	20"	985	150
MC 150	28"	1445	175
MC 200	36"	1890	205
MC 250	44"	2335	230
MC 300	52"	2780	255
MC 500	32"	4690	500
MC 750-LEA*	45"	6885	575
MC 1000-LEA*	59"	9050	650
MC 1300-LEA*	74"	11650	745
MC 1500-LEA*	85"	13380	805

* WITH STABILIZERS TO PREVENT TIPPING

(PROCEPTOR SEPARATORS MUST BE INSTALLED IN ACCORDANCE WITH ALL RELEVANT FEDERAL, PROVINCIAL/STATE, AND LOCAL CODES INCLUDING LOCAL PLUMBING CODE)

TITLE: PROCEPTOR SEPARATOR
INSTALLATION PROCEDURE
FOR ABOVE GROUND MC MODELS

ALL DIMENSIONS IN INCHES

PROJECT: WO:

REV	DATE	DRAWN
11	MAY 15, 2017	L. SIMKINS
12		
3	JULY 11, 2006	L. SIMKINS
4	OCTOBER 24, 2006	L. SIMKINS
5	DEC. 8, 2006	L. SIMKINS
6	AUGUST 13, 2009	L. SIMKINS
7	JAN 21, 2011	L. SIMKINS
8	NOVEMBER 21, 2011	L. SIMKINS
9	JAN. 08, 2013	S. MANGAT
10	APRIL 04, 2016	

DRAWN BY: L. SIMKINS

DRAWN DATE 11/23/5



SIZE	DWG. NO.	REV.
A	INSTALL ABOVE GROUND	11

SCALE:1:35 DO NOT SCALE DRAWING SHEET 1 OF 1