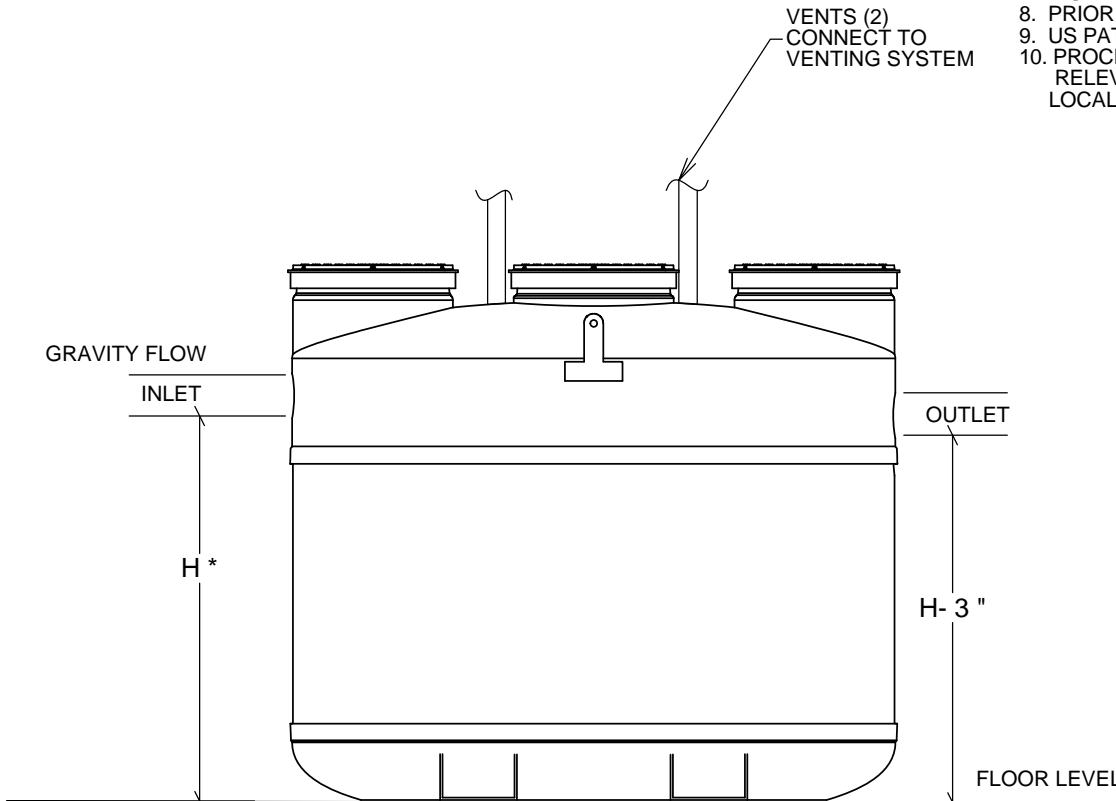


OMC 500-1500 TRIPLE MANWAY (UPC) ABOVE GROUND INSTALLATION

NOTES:

1. ENSURE FLOOR IS LEVEL, SMOOTH, AND IS ABLE TO SUPPORT THE WEIGHT OF THE TANKS FULL OF WATER AT INSTALLATION LOCATION.
2. MOVE TANKS INTO POSITION. CHECK FIT AND LOCATION OF INLET, OUTLET AND VENT PIPING (WHERE APPLICABLE).
3. ENSURE ACCESSWAY IS ACCESSIBLE FOR COVER REMOVAL AND PUMPOUT AS WELL AS ACCESS TO THE INTERIOR. ENSURE ALL OTHER PORTS ARE ACCESSIBLE FOR INSTALLATION AND MAINTENANCE.
ALARM PROBES (IF SUPPLIED) SHOULD HAVE SUFFICIENT HEADSPACE FOR REMOVAL TO CALIBRATE OR SERVICE.
4. ENSURE AREA AROUND TANK IS HEATED TO PREVENT FREEZING OF WATER IN TANK AND PIPES.
5. THE STABILIZATION SUPPORTS MAY BE AFFIXED TO FLOOR IF DESIRED.
6. SEISMIC RESTRAINTS TO BE PROVIDED BY OTHERS IF REQUIRED BY LOCAL AUTHORITIES
7. INSTALL INLET, OUTLET AND VENT PIPES TO MEET LOCAL PLUMBING CODE.
8. PRIOR TO COMMENCING OPERATIONS, FILL TANK WITH CLEAN WATER.
9. US PATENT # 5,746,912; CDN PATENT # 2,195,822
10. PROCEPTOR SEPARATORS MUST BE INSTALLED IN ACCORDANCE WITH ALL RELEVANT FEDERAL, PROVINCIAL/STATE, AND LOCAL CODES INCLUDING LOCAL PLUMBING CODE.



PROCEPTOR F.O.G. SEPARATOR MODEL	INLET INVERT TO TANK BOTTOM (H)	WEIGHT OF TANK FULL OF WATER (BOTTOM TO OUTLET INVERT) (lbs)
OMC 500 UPC	33"	4740
OMC 750 UPC	46"	7055
OMC 1000 UPC	60"	9220
OMC 1300 UPC	75"	11820
OMC 1500 UPC	86"	13555

ABOVE GROUND STABILIZERS
(REQUIRED ON
MODELS 750 AND LARGER)

TITLE: PROCEPTOR SEPARATOR
INSTALLATION PROCEDURE
ABOVE GROUND TRIPLE MANWAY
ALL DIMENSIONS IN INCHES
PROJECT: WO:
AVAILABLE OPTIONS (CHECKED IF REQUESTED)
 REMOTE SUCTION LINE
 SMARTPRO WIRELESS ALARM

REV	DATE	DRAWN
1	APRIL 13, 2010	L. SIMKINS
2	APRIL 02, 2014	S. MANGAT
3	AUGUST 30, 2016	
4	MAY 25, 2017	
5		
6		
7		
8		
9		
10		

DRAWN BY: L. SIMKINS
DRAWN DATE: JULY 15, 2008

