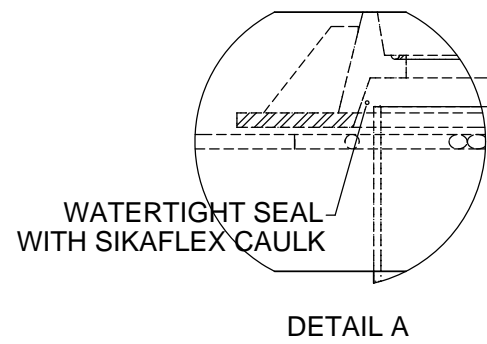


- NOTES:
- CONCRETE TO BE 28 DAY COMPRESSIVE STRENGTH TO 4000 PSI.
  - NO. 4 REBAR (Ø 1/2") GRADE 60 STEEL PER ASTM A615; CONNECTED WITH TIE WIRE.
  - REBAR TO BE 2.5" FROM FACE OF CONCRETE.
  - REBAR SPACING 12" GRID, 4" SPACING AROUND ACCESS OPENINGS.
  - ALL PENETRATIONS TO BE SLEEVED OR HAVE SLIP CONNECTIONS.
  - MINIMUM 18" FROM TOP OF SLAB TO TOP OF TANK.
  - EXTEND COMPACTED BACKFILL A MINIMUM 3 FT. BEYOND ALL SIDES OF TANK.

TANK MODELS	
	500
	750
	1000(1)
	1300
	1500(1)



1" GAP  
CAST IRON FRAME  
SUSPENDED IN SLAB,  
AND CENTRED  
OVER COLLAR

TITLE: H2O TRAFFIC LOADING SLAB FOR SINGLE ELLIPTICAL TANK ALL DIMENSIONS ARE IN INCHES UNLESS OTHERWISE SHOWN.		REV	DATE	DRAWN
PROJECT: WO:		1	OCTOBER 1, 2010	L. SIMKINS
		2	JULY 02, 2013	S. MANGAT
✓ CONFIGURATION:		3		
		4		
DRAWN BY: L. SIMKINS		5		
		6		
DRAWN DATE: OCTOBER 1, 2008		7		
		8		
		9		
		10		

**greenturtle**®

877 428 8187 US 877 966 9444 CAN  
www.greenturtletech.com

SIZE	DWG. NO.	REV.
<b>A</b>	<b>SINGLE SLAB SINGLE ACCESS</b>	<b>2</b>

SCALE: 1:35 DO NOT SCALE DRAWING SHEET 1 OF 1