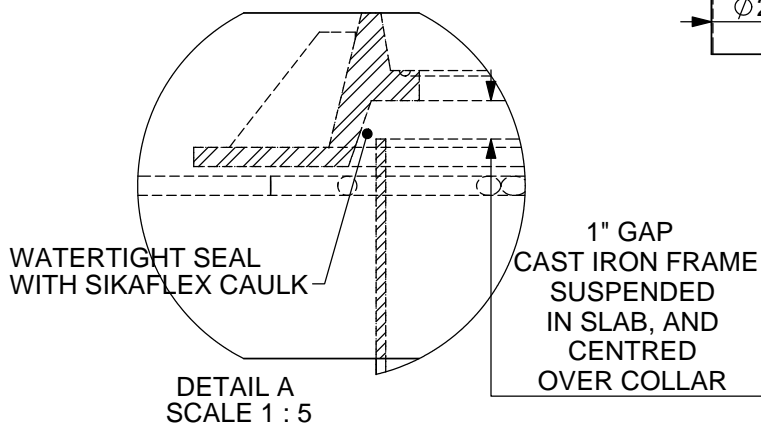
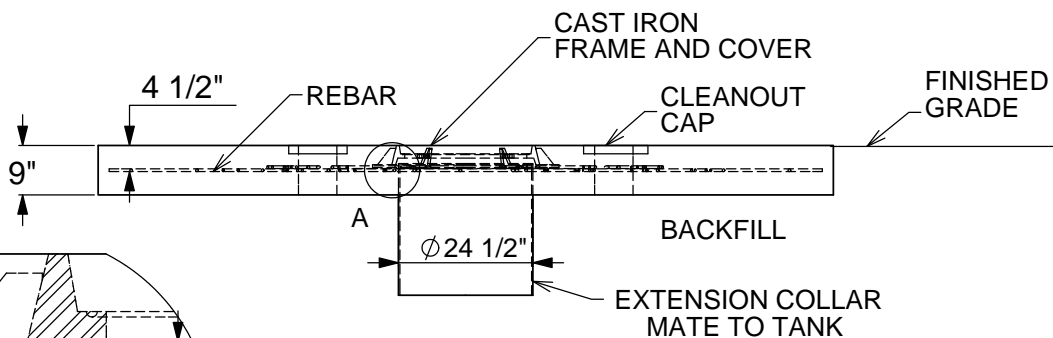


NOTES:

- CONCRETE TO BE 28 DAY COMPRESSIVE STRENGTH TO 4000 PSI.
- NO. 4 REBAR (ϕ 1/2") GRADE 60 STEEL PER ASTM A615; CONNECTED WITH TIE WIRE.
- REBAR SPACING, 4" SPACING AROUND ACCESS OPENINGS.
- ALL PENETRATIONS TO BE SLEEVED OR HAVE SLIP CONNECTIONS.
- MINIMUM 18" FROM TOP OF SLAB TO TOP OF TANK.
- EXTEND COMPACTED BACKFILL A MINIMUM 3 FT. BEYOND ALL SIDES OF TANK.

TANK MODELS	
	50
	100
	150
	200
	250
	300



TITLE: H2O TRAFFIC LOADING SLAB FOR SINGLE SMALL ELLIPTICAL TANK ALL DIMENSIONS ARE IN INCHES UNLESS OTHERWISE SHOWN.		REV	DATE	DRAWN
PROJECT: WO:		1	OCTOBER 1, 2010	L. SIMKINS
		2	JULY 02, 2013	S. MANGAT
✓ CONFIGURATION:		3		
		4		
DRAWN BY: L. SIMKINS		5		
		6		
DRAWN DATE: OCTOBER 2, 2008		7		
		8		
SCALE: 1:35		9		
		10		

greenturtle[®]

US 877 428 8187 CAN 877 966 9444
www.greenturtletech.com

SIZE	DWG. NO.	REV.
A	SINGLE SLAB SMALL	2
DO NOT SCALE DRAWING		SHEET 1 OF 1