



Z1231 UNIVERSAL INSTALLATION SHEET (TYPICAL INSTALLATION SHOWN) ARM STYLE -080

Dimensional Data [inches and [mm]] are Subject to Manufacturing Tolerances and Change Without Notice

Fixture Name	Fixture No.	Size	A	B	C	D	E	F	G	HOLES
American Standard										
Penlyn	0373.950	18 x 15-78	15 [381]	29-1/2 [749]	31 [787]	4 [102]	5 [127]	5 [127]	14-5/8 [371]	D2,E1,F1
Penlyn	0373.050	18 x 15-78	15 [381]	29-1/2 [749]	31 [787]	4 [102]	5 [127]	5 [127]	14-5/8 [311]	D2,E1,F1
Missouri	0436.004	20 x 18-1/4	16-1/4 [413]	29-1/4 [743]	31 [787]	4-1/2 [114]	5-5/8 [143]	4-3/8 [111]	15-1/8 [384]	D2,E2,F1
Kohler										
**Chesapeake	K-1728	19 X 17	15-3/8 [391]	29-1/2 [749]	31 [787]	3-1/4 [83]	5-1/4 [133]	5-1/4 [133]	14-3/8 [365]	D1,E1,F1
**Chesapeake	K-1729	20 X 18	15-3/4 [400]	30 [762]	31 [787]	3-1/4 [83]	5-1/4 [133]	5-1/4 [133]	14-3/8 [365]	D1,E1,F1
Brenham	K-1997/1999	21-15/16 X 19-3/4	18-5/16 [465]	29-1/8 [740]	31 [787]	4 [102]	4-1/2 [114]	5-1/4 [133]	14-5/8 [371]	D2,E1,F1
Kingston	K-2005,06,07	21 X 18	17-1/4 [438]	29-1/8 [740]	31 [787]	3-1/4 [83]	5-1/4 [133]	5-1/4 [133]	14-3/8 [365]	D1,E1,F1
Greenwich	K-2030,31,32	21 X 18	17-1/4 [438]	29 [737]	31 [787]	3-1/4 [83]	5-1/4 [133]	5-1/4 [133]	14-3/8 [365]	D1,E1,F1
Greenwich	K-2034,36	21 X 18	16-1/2 [419]	29 [737]	31 [787]	3-1/4 [83]	5-1/4 [133]	5-1/4 [133]	14-3/8 [365]	D1,E1,F1
Zurn										
Lavatory	Z5341	21 X 18	17 [432]	32-1/2 [826]	34 [864]	3-1/4 [83]	5-1/4 [133]	5-1/4 [133]	14-3/8 [365]	D1, E1, F1
Lavatory	Z5344	21 X 18	17 [432]	32-1/2 [826]	34 [864]	3-1/4 [83]	5-1/4 [133]	5-1/4 [133]	14-3/8 [365]	D1, E1, F1
Lavatory	Z5348	21 X 18	17 [432]	32-1/2 [826]	34 [864]	3-1/4 [83]	5-1/4 [133]	5-1/4 [133]	14-3/8 [365]	D1, E1, F1
Lavatory	Z5361	21-1/2 X 18-1/4	17 [432]	32-1/2 [826]	34 [864]	3-1/4 [83]	5-1/4 [133]	5-1/4 [133]	14-3/8 [365]	D1, E1, F1
Lavatory	Z5364	21-1/2 X 18-1/4	17 [432]	32-1/2 [826]	34 [864]	3-1/4 [83]	5-1/4 [133]	5-1/4 [133]	14-3/8 [365]	D1, E1, F1
Lavatory	Z5368	21-1/2 X 18-1/4	17 [432]	32-1/2 [826]	34 [864]	3-1/4 [83]	5-1/4 [133]	5-1/4 [133]	14-3/8 [365]	D1, E1, F1

PARTS LIST

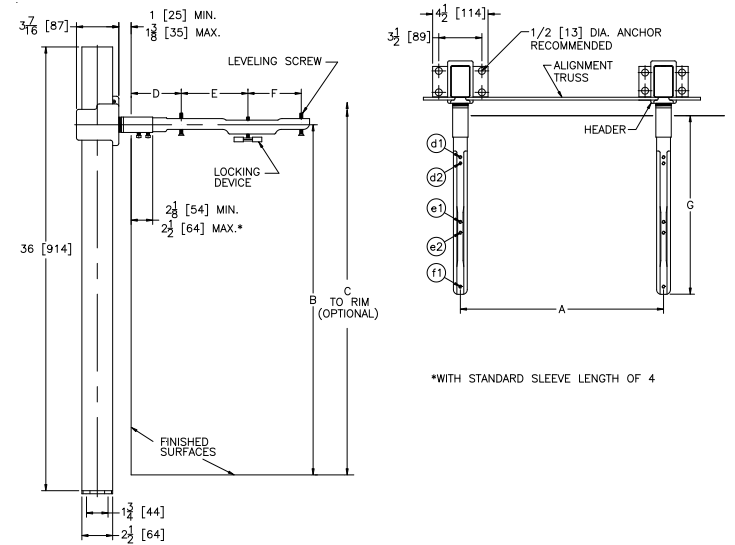
(2) HEADER	56311-001
(1) ALIGNMENT TRUSS (24[610])	28588-008
(2) ARM	02008-080
(2) ARM SLEEVE (4 [102])	82069-001
(4) ARM SET SCREW (3/8-16 X 1/2 [13])	18006-071
(4) HEADER SET SCREW (3/8-16 X 1/2 [13])	18006-071
(1) HARDWARE BAG	66955-008

CONTAINS:

(2) LOCKING DEVICE	30027-001
(4) LEVELING SCREW (1/4-20 X 1-3/4[35])	23453-042
(3) INSTRUCTION SHEET	FORM #C3-C6

** REQUIRES 2 ADDITIONAL 1/4 [6] X 3 1/4 [83] LEVELING SCREWS

- ⚠ **WARNING:** Cancer and Reproductive Harm - www.P65Warnings.ca.gov
 ⚠ **ADVERTENCIA:** Cáncer y daño reproductivo - www.P65Warnings.ca.gov
 ⚠ **AVERTISSEMENT:** Cancer et effets néfastes sur la reproduction - www.P65Warnings.ca.gov



Zurn Industries, LLC | Specification Drainage Operation
 1801 Pittsburgh Avenue, Erie, PA U.S.A. 16502 · Ph. 855-663-9876, Fax 814-454-7929
 In Canada | Zurn Industries Limited
 3544 Nashua Drive, Mississauga, Ontario L4V 1L2 · Ph. 905-405-8272, Fax 905-405-1292
www.zurn.com

Rev. R
 Date: 4/11/2018
 C.N. No. 139873
 Form No. C5