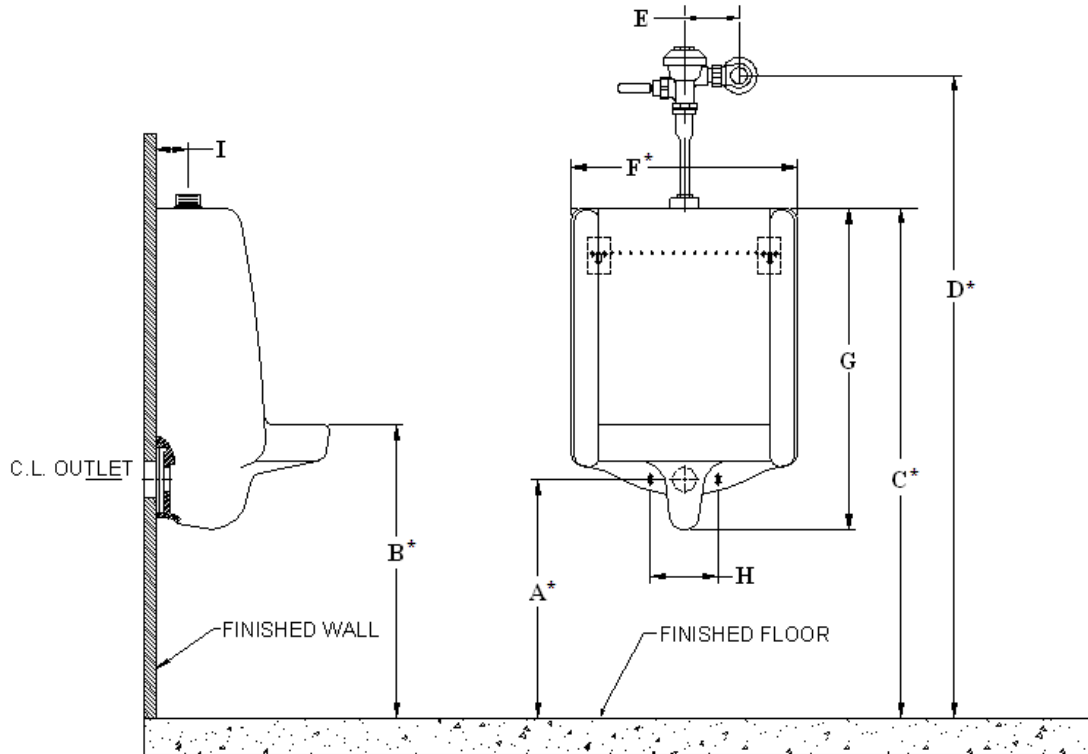


Zurn Retrofit Measurement Sheet for Urinals

Replace your current urinal with a Zurn Pint Ultra Low Consumption Urinal

1. Fill in the required critical measurements below from your existing urinal
2. Contact Zurn to confirm the Zurn Pint urinal that will best fit your installation
3. Begin saving water with every flush!!!



Current Urinal Dimensions

* Above Denotes Critical Dimension

- A** _____ (floor to outlet)
- B** _____ (floor to rim)
- C** _____ (floor to top of urinal)
- D** _____ (floor to center of incoming water supply)
- E** _____ (center of water stop to center of vacuum breaker)
- F** _____ (width of urinal at largest point)
- G** _____ (overall length of urinal)
- H** _____ (width between outlet studs)
- I** _____ (finished wall to center of inlet spud)

Who was the current urinal manufactured by? _____

Is the current urinal model number known? _____

How many urinals will be replaced? _____

Is there a desired rim height tolerance? (Dimension 'B' Above) _____

Additional notes or special requirements to meet local your plumbing codes, please list.

This space is for Architectural/Engineering Approval