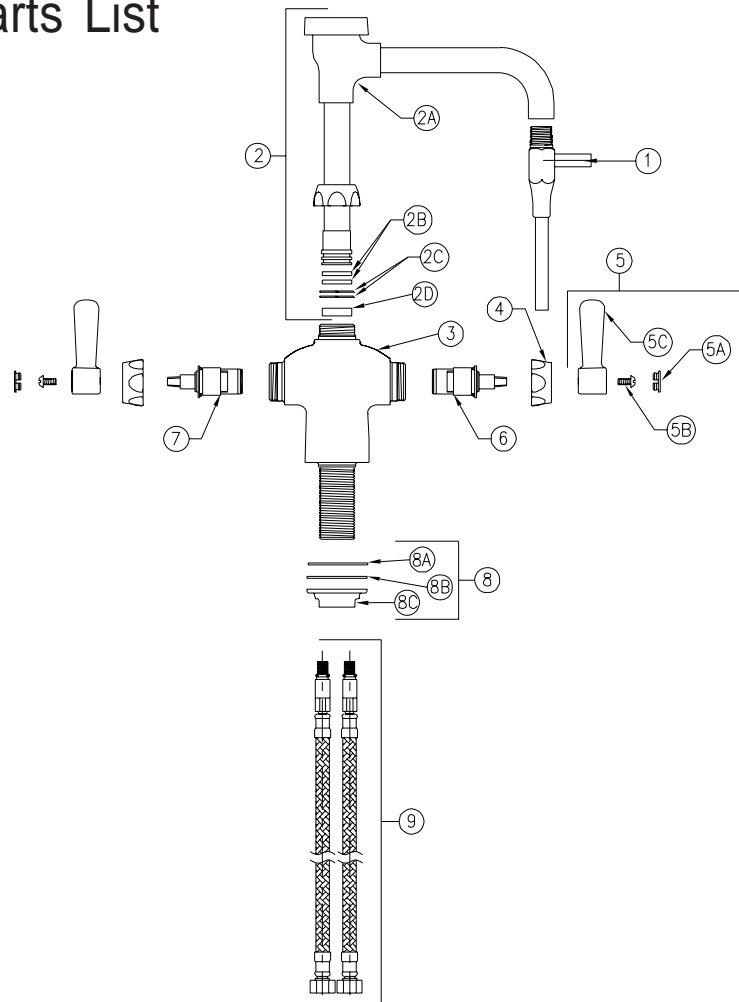


LABORATORY FAUCET - DOUBLE



Z826U1-8M Parts List



Item	Part Number	Description	Qty.
1	G65508	Aspirator Pump	1
2	G60550	6" U-Spout Assembly	1
2A	61401002	U-Spout Sub-Assembly	1
2B	58155018	O-Rings	2
2C	59666001	Plastic Split Washer (Swing)	2
2D	59436001	Spacer Washer (Rigid)	1
3	60822002	Double Lab Body	1
4	59523001	Handle Nut	2
5	G60501	2-1/2" [64mm] Vandal-Resistant Metal Lever Handles	1
5A	G60500	Hot/Cold Color-Coded Indexes	1
	59454001	Hot Color-Coded Index	1
	59454002	Cold Color-Coded Index	1
5B	62464001	10-32 Screw	2
5C	59487001	Lever Handle	2
6	59517002	Short Hot Cartridge	1
7	59517001	Short Cold Cartridge	1
8	G61073	Mounting Hardware	1
8A	60549002	Friction Gasket	1
8B	60444002	Washer	1
8C	60445002	Mounting Nut	1
9	G66621	12" [305mm] S.S. Braided Flex Hoses	1

ZURN INDUSTRIES, INC. ♦ COMMERCIAL BRASS OPERATION ♦ 2640 SOUTH WORK STREET ♦ FALCONER NY 14733

Phone: 1-716-665-1132 ♦ Fax: 1-716-665-1135 ♦ World Wide Web: www.zurn.com

In Canada: ZURN INDUSTRIES LIMITED ♦ 3544 Nashua Drive ♦ Mississauga, Ontario L4V1L2 ♦ Phone: 905/405-8272 Fax: 905/405-1292