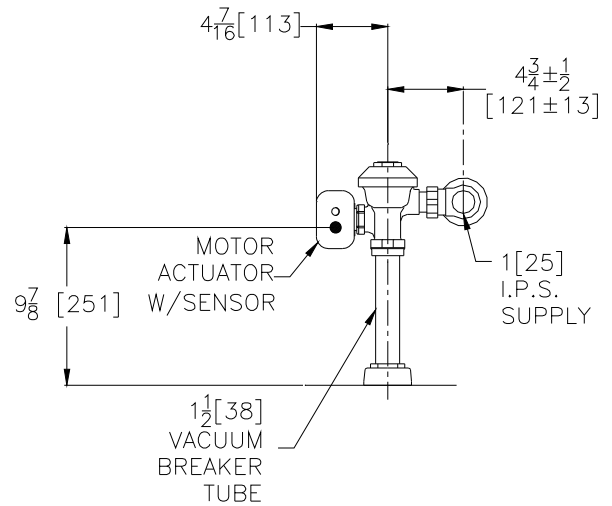
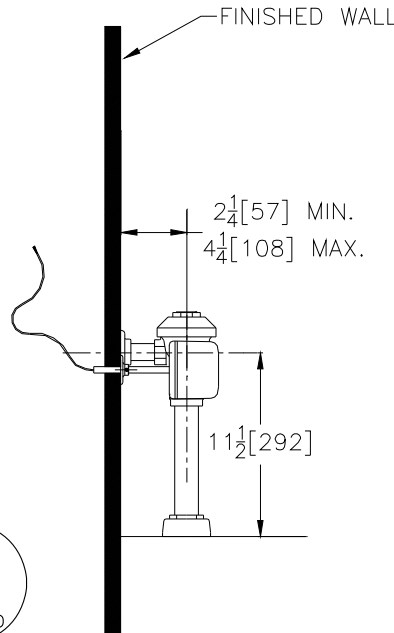




Exposed ZEMS6000PL-HET-IS Model

1.28 GPF Hardwired Automatic Sensor Flush Valve For Water Closets



Suffix Options (Check/Specify Appropriate Options)

- _____ -YJ Split Ring Pipe Support
- _____ -YK Solid Ring Pipe Support
- _____ -YO Bumper on Angle Stop
- _____ Other

Accessories (Order separate as specified)

- P6000-PC6** Plug-in Power Converter (Up to 8 valves)
- P6000-MJ** Mini Junction Box
- P6000-HW6** Hardwire Power Converter (Up to 8 valves)

NOTE: MUST USE EITHER ZURN P6000-HW6 HARDWIRE POWER CONVERTER OR ZURN P6000-PC6 PLUG-IN POWER CONVERTER TO ENSURE PROPER OPERATION. USING A POWER CONVERTER OTHER THAN ZURN MAY RESULT IN OPERATION MALFUNCTION OR UNIT FAILURE.

This space is for Architectural/Engineering Approval

ENGINEERING SPECIFICATION: ZURN ZEMS6000PL-HET-IS Aquaflush® Exposed Hardwired Automatic Sensor Flush Valve For Water Closets- Exposed, quiet diaphragm-type, chrome plated, flushometer valve with a polished exterior. Complete with Zurn's 1.28 gpf AquaVantage® TPE, chloramine resistant, dual seal diaphragm with a clog resistant, filtered by-pass. The valve incorporates a motorized actuator, an integral infrared convergence-type proximity sensor and a manual push-button override into an all-metal, polished chrome plated housing. Sensor range automatically adjusts to its environment at power up and is powered by a 7.6 VDC power converter. Each power converter can accommodate up to eight flush valves. The valve is complete with high back pressure vacuum breaker, one piece hex coupling nut, adjustable tailpiece, spud coupling and flange for top spud connection. Control stop has internal siphon-guard protection, vandal resistant stop cap, sweat solder kit, and a cast wall flange with set screw. Internal seals are made of chloramine resistant materials.

The information contained in this document is subject to change without notice. Please contact Zurn for most up to date information.

ZURN INDUSTRIES, LLC. ♦ COMMERCIAL BRASS OPERATION ♦ 5900 ELWIN BUCHANAN DRIVE ♦ SANFORD NC 27330

Phone: 1-800-997-3876 ♦ Fax: 919-775-3541 ♦ World Wide Web: www.zurn.com

In Canada: ZURN INDUSTRIES LIMITED ♦ 3544 Nashua Drive ♦ Mississauga, Ontario L4V1L2 ♦ Phone: 905-405-8272 Fax: 905-405-1292