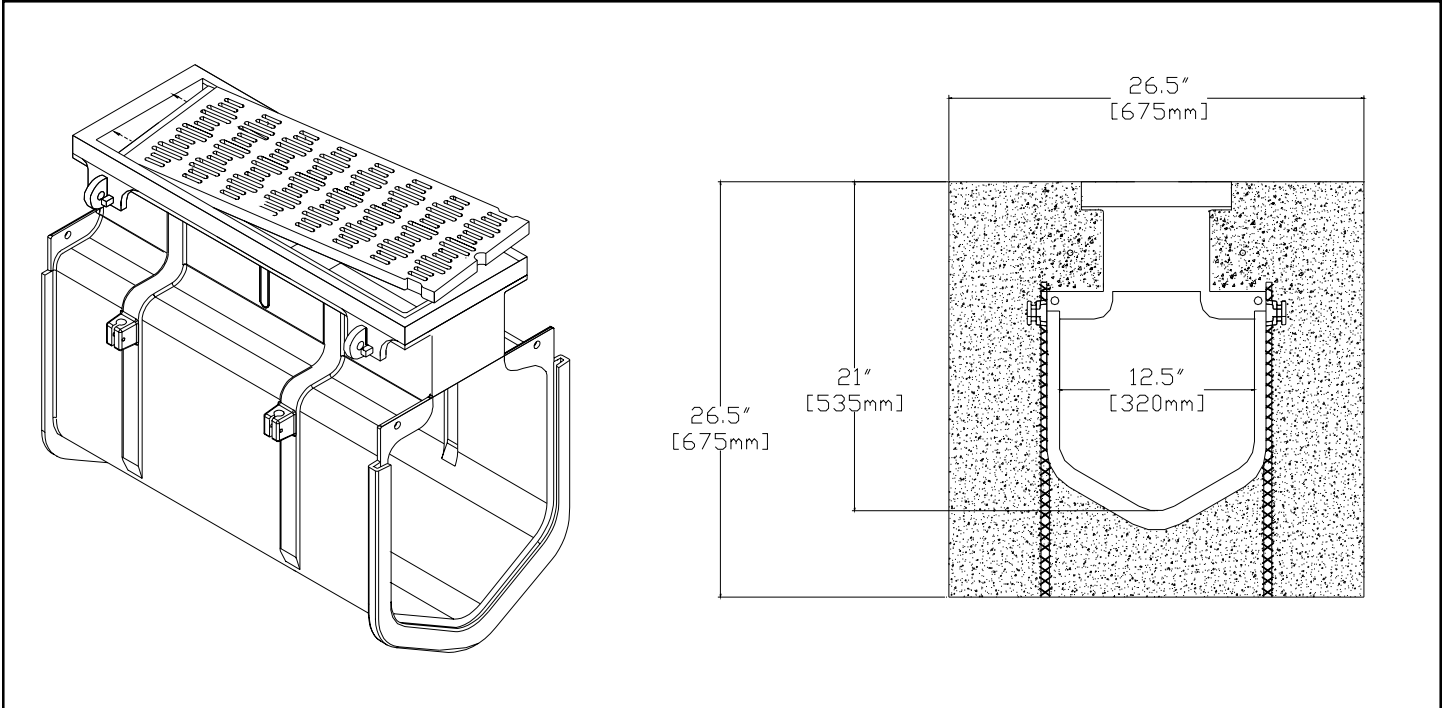




# Z-889-18-HPD HI-CAP SLOTTED DRAINAGE SYSTEM HEELPROOF CLEANOUT PORT



## ENGINEERING SPECIFICATION

Zurn Z-889-18-HPD 8"[203mm] wide linear low density polyethylene cleanout port. 24"[610mm] long modular cleanout with specified -ADA compliant Ductile Iron frame and grate, mechanically interlocking joints, integral rebar clips, and smooth radiused interior. Regularly furnished with the Ductile Iron Frame/Grate, which allows access to the system.

## OPTIONS

- -E1 End Cap
- -E6 6"[152mm] No-Hub End Outlet
- -E8 8"[203mm] No-Hub End Outlet
- -E12 12"[305mm] No Hub End Outlet
- -E18 18"[460mm] No-Hub End Outlet
- -HPG Heelproof Ductile Iron Galvanized Frame/Grate
- -HPS Heelproof Cast Stainless Frame/Grate
- -T12/18 Transition from -12 To -18
- -T18/12 Transition from -18 To -12
- -T18/36 Transition from -18 To -36

\*Regularly Furnished Unless Otherwise Specified

REV.	DATE: 02/10/03	C.N. NO. 89252
DWG. NO. 64159	PRODUCT NO. Z-889-18-HPD	

ZURN INDUSTRIES, INC., FLO-THRU DIV., 2855 Girts Road, Jamestown, NY 14701

Phone: 716/665-1132, Fax: 716/665-1135, World Wide Web: [www.zurn.com](http://www.zurn.com)

In Canada: ZURN INDUSTRIES LIMITED, 3544 Nashua Drive, Mississauga, Ontario L4V1L2, Phone: 905/405-8272 Fax: 905/405-1292

In UK: Zurn Industries Ltd, Riverside Rd, Pottington Business Park, Barnstaple, Devon EX31 1QN, Phone 01271-340350 Fax 01271-344660