

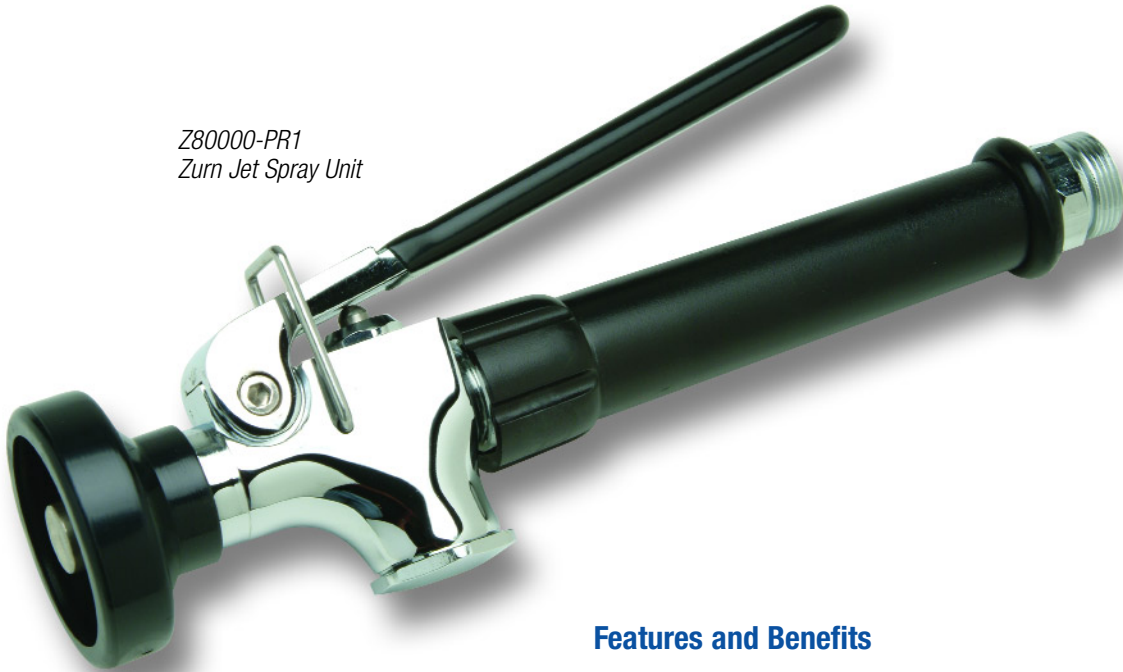


# AquaSpec Jet Spray Washer

**Commercial Pre-Rinse Unit Saves up to \$1,000 Every Year**

*Water Use Reduced Up To 80%*

Z80000-PR1  
Zurn Jet Spray Unit



## *Retrofit your pre-rinse units with the efficient and economical AquaSpec Jet Spray Washer*

Vigorous spray pattern increases performance and water saving efficiency over older models. The Zurn Jet Spray Washer uses only 1.24 gallons per minute compared to standard 2 to 6 gpm valves. Retrofit your pre-rinse units with the efficient and economical Jet Spray Washer and you can save hundreds of dollars in water and energy costs.

### Features and Benefits

- Easy installation
- The most powerful rinser on the market
- Savings in water, energy, and sewer
- Quick payback
- High performance and incredible hot water savings using 1.24 gpm at 60 PSI
- Anti-corrosive stainless steel nozzle
- Solid brass, triple chrome-plated sprayer body
- Insulated handle ensures comfortable grip
- Complies to ASME A112.18.1-2005 and CSA B125.1-2005
- Interchangeable with all brands
- Any repairs are easy with standard gaskets
- Standard, protective, full surrounding dish guard bumper
- Five-year warranty

### Zurn Jet Spray Washer Savings

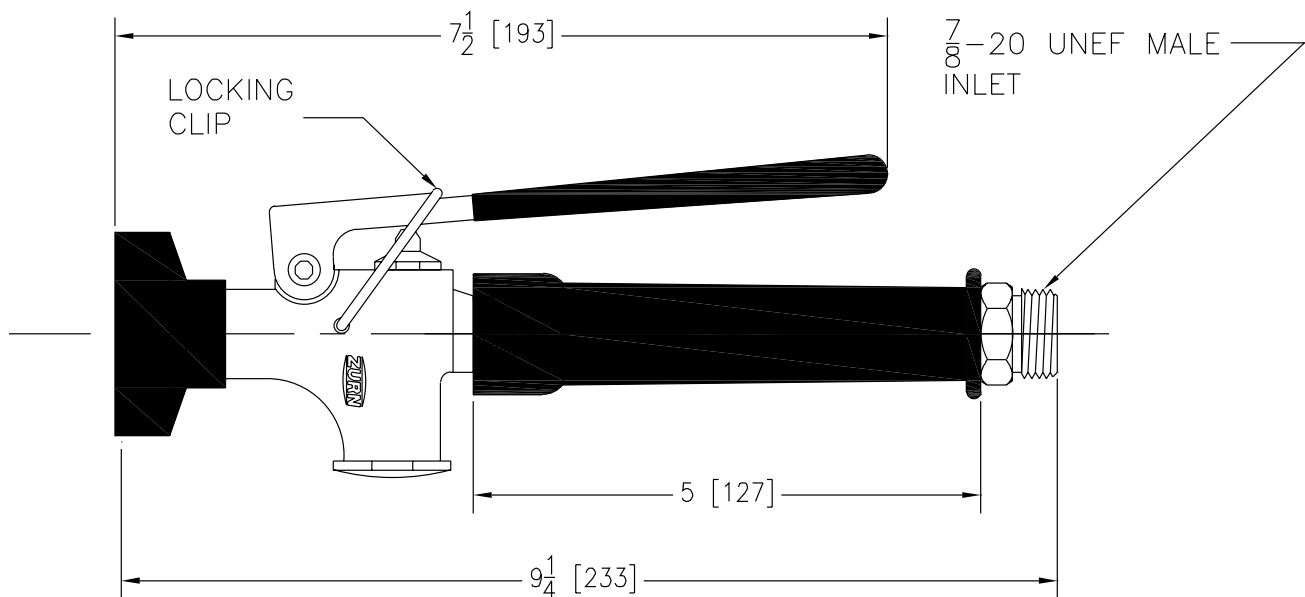
Usage	Hours of Spray Valve Usage	Water Savings (Gallons Per Day)	Wastewater Savings (Gallons Per Day)	Gas Savings (Therms Per Day)	Annual Dollar Savings
Light	2 hours per day	100	100	0.7	\$300 - \$400
Medium	4 hours per day	200	200	1.3	\$700 - \$900
Heavy	6 hours per day	300	300	2.0	\$1000 - \$1300



**ZURN INDUSTRIES, LLC**  
AQUASPEC COMMERCIAL FAUCET OPERATION  
2640 SOUTH WORK STREET · FALCONER, NY, U.S.A 14733  
PHONE: 716-665-1132 · FAX: 716-665-1135 · www.zurn.com

# Zurn AquaSpec Jet Spray Washer

## Z80000-PR1 Pre-Rinse Unit



*Note: All dimensions are for reference only. Do not use for pre-plumbing.*

### Engineering Specifications: Zurn AquaSpec® Z80000-PR1

Self-closing 1.24 gpm [4.7 L/min] pre-rinse valve with an insulated handle, a stay open handle clip, and protective bumper spray head. Unit has a 7/8-20 UNEF threaded male inlet. Complies with ASME A112.18.1/CSA B125.1. Certified to ASTM Standard Test method F2324-03 for flow rate and cleanability.



**ZURN INDUSTRIES, LLC**  
AQUASPEC COMMERCIAL FAUCET OPERATION  
2640 SOUTH WORK STREET · FALCONER, NY, U.S.A 14733  
PHONE: 716-665-1132 · FAX: 716-665-1135 · www.zurn.com