

The Zurn Z6913 AquaSense "A" Sensor Faucet Does It All ... Battery Power or Hardwire!

The most versatile sensor faucet on the market today.

Where other manufacturer's sensor faucets are limited to either being powered only by battery or only A/C, the Zurn Z6913 is designed for both applications. In remodel or retrofit installations where A/C power may not be available, use the Z6913 with its 4 AA batteries to provide you reliable service with extended battery life of up to 2 plus years. For new construction or those installations where A/C power is available the Z6913 can be used as plug-in or hardwire and provide years of continuous hands-free, user-friendly service while saving water and ensuring a clean and sanitary environment for the users. When the faucet is used in A/C installations the batteries act as a backup for uninterrupted use in the case of a power outage.

So whether it's a battery powered or hardwire style you need, the Zurn Z6913 AquaSense "A" sensor faucet ... *does it all!*

Zurn Z6913 AquaSense "A" Lavatory Faucet Features

- Water conserving
- ADA compliant
- AC/DC compatibility
- Hands-free sanitary operation
- Vandal-resistant aerator – 1.5 GPM
- Automatic 30-second time-out feature
- Highly-polished, chrome-plated cast brass body
- Low battery indicator light on the faucet base
- In-line filter
- Factory set sensor range
- 4" and 8" centerline cover plates.



ZURN

ZURN PLUMBING PRODUCTS GROUP • COMMERCIAL BRASS OPERATION
5900 ELWIN BUCHANAN DRIVE • SANFORD, NC 27330
PHONE: 1-800-997-3876 • FAX: 919-775-3541 • WEBSITE: www.zurn.com

IN CANADA:

ZURN INDUSTRIES LIMITED • 3544 NASHUA DRIVE • MISSISSAUGA, ONTARIO L4V 1L2
PHONE: 905-405-8272 • FAX: 905-405-1292



Z6913 AquaSense "A" Battery Powered Lavatory Faucet

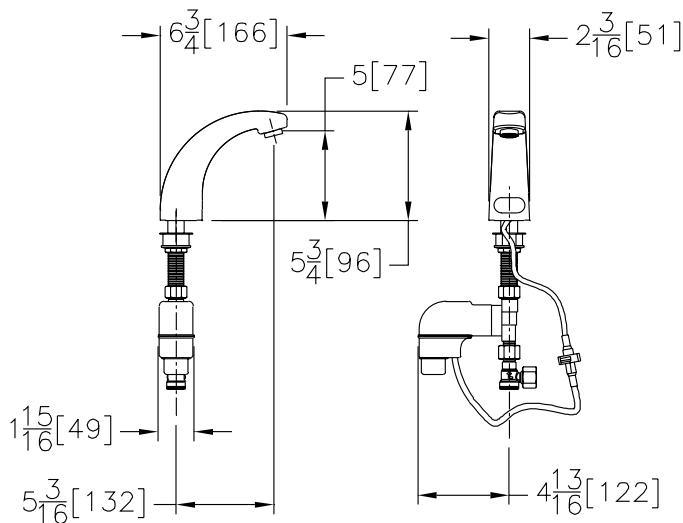


ENGINEERING SPECIFICATION

ZURN Z6913 AquaSense "A" Battery Powered Lavatory Faucet – The AquaSense sensor faucet is a battery powered sensor faucet for retrofit and new construction. The faucet incorporates an infrared convergence-type proximity sensor into the chrome plated cast brass spout. The faucet is furnished complete with sensor module, spout module and in-line filter for easy installation. Standard equipment consists of four "AA" batteries, a 1.5 gpm vandal-resistant aerator and an inlet for a 1/2" [13] ball riser supply (furnished by others). Sensor range is factory set. The batteries act as a battery backup when -ACA A/C plug-in type power adaptor is used.

Suffix Options

- ACA A/C Plug-in Type Power Adaptor
- ADM Above Deck Mixer
- ADM-1 Above Deck Mixer w/4" Cover Plate
- ADM-2 Above Deck Mixer w/8" Cover Plate
- B 2.2 GPM Vandal Resistant Aerator
- C 2.2 GPM Laminar Flow Control
- CP4 Cover Plate 4" [102] Centers
- CP8 Cover Plate 8" [203] Centers
- F 0.5 GPM Vandal Resistant Aerator
- IA3 Inlet Adaptor (3/8" [10] compression)
- MV Temperature Mixing Valve
- SH Supply Hoses for Mixing Valve
- SSH Single Supply Hose
- TMV Thermostatic Mixing Valve
- WB Wrist Blade Handle for ADM
- Other



ZURN PLUMBING PRODUCTS GROUP • COMMERCIAL BRASS OPERATION
5900 ELWIN BUCHANAN DRIVE • SANFORD, NC 27330
PHONE: 1-800-997-3876 • FAX: 919-775-3541 • WEBSITE: www.zurn.com

IN CANADA:

ZURN INDUSTRIES LIMITED • 3544 NASHUA DRIVE • MISSISSAUGA, ONTARIO L4V 1L2
PHONE: 905-405-8272 • FAX: 905-405-1292