



# AquaVantage™ AV

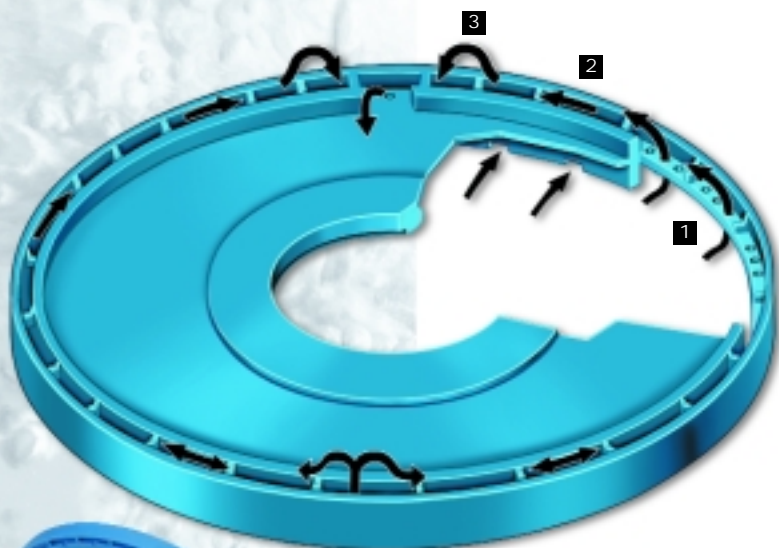
TRIPLE FILTERED DIAPHRAGM

**THE AQUAVANTAGE DIAPHRAGM FILTERS ALL WATER THREE TIMES BEFORE IT REACHES THE MAIN BY-PASS ORIFICE.**

### Zurn AquaVantage Diaphragm Kit

Zurn Z6000AV Model flush valves feature the chemical and clog resistant revolutionary AquaVantage Triple Filter Diaphragm Kit. The AquaVantage Kit is designed to eliminate the common problems that are associated with flush valve installations such as fixture evacuation, run-on, degradation of rubber components and sediment. The AquaVantage Kit now makes these problems a thing of the past. It provides for greater performance, ensures reliability, and greatly extends the operating life of the internal components.

All Zurn AquaVantage AV Flush Valves are furnished complete with the AquaVantage diaphragm kit, and the following accessories as standard: ADA Handle, Sweat Solder Kit, Vandal-Resistant Stop Valve Cover and Cast Wall Flange with setscrews. Internal seals of the AV valves are chemical resistant.



### How The Zurn Triple Filter Diaphragm Works

- 1 Water from the lower valve chamber is directed through a plurality of individual passageways an into one of the twenty two filter cells found around the perimeter of the diaphragm. Each filter cell stops unwanted debris and allows only clean water to proceed towards the main orifice.
- 2 The filtered water then travels over a number of parabolic weirs. Each weir acts as a small dam causing the finest of sediment to settle from the water flow.
- 3 The filtered water is then filtered one more time through another set of filter holes strategically placed adjacent to the main orifice. Only filtered, clean water is allowed to pass through the main by-pass orifice.

In the U.S.A.: **ZURN PLUMBING PRODUCTS GROUP** • COMMERCIAL BRASS OPERATION • 5900 ELWIN BUCHANAN DRIVE • SANFORD, NC, U.S.A. 27330  
PHONE: 1-800-997-3876 • FAX: 919/775-3541 • E-MAIL: commbrass@zurn.com • WEBSITE: www.zurn.com

In Canada: **ZURN INDUSTRIES LIMITED** • 3544 NASHUA DRIVE • MISSISSAUGA, ONTARIO L4V 1L2 • PHONE: 905/405-8272 • FAX: 905/405-1292

**ZURN INDUSTRIES, INC.** • INTERNATIONAL PLUMBING PRODUCTS GROUP • 1801 PITTSBURGH AVENUE • ERIE, PA, U.S.A. 1602  
PHONE: 814/455-0921 • FAX: 814/875-1240 • E-MAIL: zurnintl@zurn.com



**THE TRIPLE ADVANTAGE**

**ADVANTAGE 1**

DUAL SEAL TECHNOLOGY. A secondary seal on the underside of the diaphragm ensures a positive shut-off.

**ADVANTAGE 2**

CHEMICAL RESISTANT. TPE diaphragm material provides enhanced performance and extended life.

**ADVANTAGE 3**

TRIPLE FILTERED BY-PASS. An integral clog-resistant triple filter by-pass prevents run-on due to debris and contributes to a more consistent volume of water for every flush.



Zurn AquaVantage, the number one flush valve in chloramine and chemical resistance now introduces the only flush valve with triple filtration of the by-pass. An integral clog-resistant triple filter prevents run-on due to debris in the water system and contributes to a more consistent and efficient flush.

The winning combination of chemical-resistance, clog-resistance and dual seal technology gives you the performance advantage.

**LET PERFORMANCE BE YOUR GUIDE.**

**THE AQUAVANTAGE DESIGN ADVANTAGE**

**Enhanced Performance**

The design of the AquaVantage kit along with the flexibility of its TPE thermoplastic elastomer diaphragm allows for flow optimization. Optimizing the water volume of the flush cycle creates a more efficient flush, contributing to better fixture evacuation thus eliminating partially flushed fixtures and plugged waste lines.

**Chemical Resistant**

The process of treating a water supply with chlorine and ammonia is known as chloramination. The increased levels of chloramines found in today's potable water break down EPDM, natural rubber, and nitrile rubber parts causing premature failure. The AquaVantage diaphragm kit is made of chloramine resistant thermoplastics and thermoplastic elastomers that are engineered to withstand the chemicals found in municipal water supplies. The TPE elastomer used for the AquaVantage diaphragm has proven to withstand prolonged exposure to the same chemicals that cut short the life of other diaphragm kits.

**Clog-Resistant Triple Filtered By-Pass**

The unique AquaVantage diaphragm filter design allows for optimal performance in virtually any water condition. Twenty two individual filter cells prevent water born debris from reaching the by-pass orifice to keep the flow volume consistent and the valve functioning properly. Filtering is accomplished by a unique series of integral passageways throughout the diaphragm.

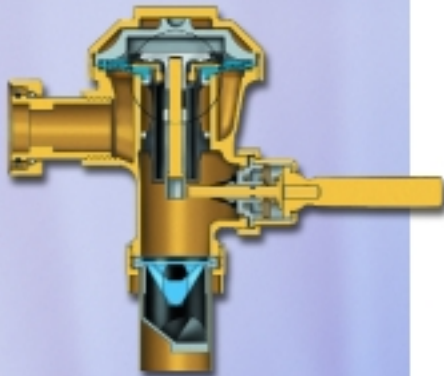
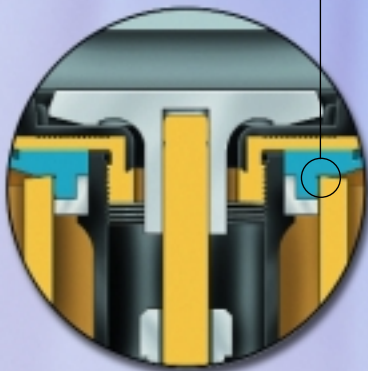
**Interchangeability**

The Zurn AquaVantage kit is so named because it allows existing flush valves to be upgraded with the advantages of today's technology in flush valves. The AquaVantage diaphragm kit can be retro-fitted into existing Zurn and Sloan® flush valves thus allowing the building owner to take advantage of its new technological components and design.

**Dual Seal Technology**

AquaVantage brings dual seal technology to the industry. A secondary seal along the internal diameter of the valve body bore ensures a consistent flush and positive seal during operation. AquaVantage is unique in the industry with this feature.

**DUAL SEAL TECHNOLOGY**



**OTHER FEATURES OF THE AQUAVANTAGE AV**



**Low-Force, No Leak, ADA-Compliant Handle**



**Vandal Resistant Control Stop Cover**



**Cast Wall Flange With Setscrew**



**High Pressure Vacuum Breaker**