



Zurn Hydrants

offer ease of installation and excellent durability.

Z1327-EZ and Z1350-EZ

- All fabricated stainless steel constructed box provides a long-lasting finish.
- Mounting braces provide fast, rigid installation of the hydrant box assembly.
- Hydrant box and braces are designed to fit inside of a standard 2 x 4 stud wall on 16" or 24" centers.
- Mounting braces allow hydrant box assembly to be easily adjusted left or right to a desired location, and locked in place prior to finished wall placement.
- Mounting braces eliminate the use of additional material on a job site to form and adjust the braces to fit within the wall and accommodate the hydrant.



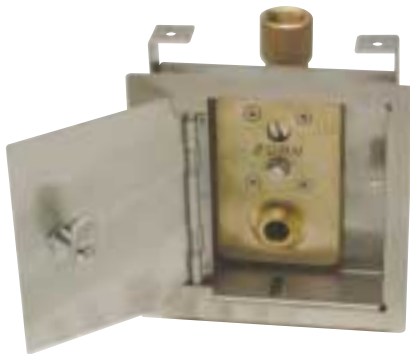
Z1327-EZ encased, moderate climate, hot and cold hydrant, for narrow wall installation on 16" stud centers.

Z1320-EZ

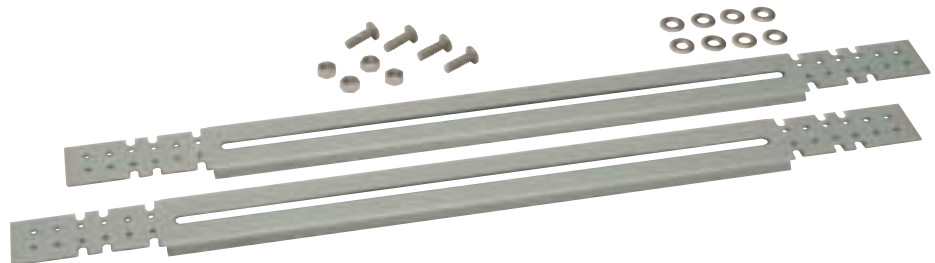
- All fabricated stainless steel constructed box provides a long-lasting finish.
- Hydrant box is designed to fit in one standard modular brick course.
- Wide flange surface hides the wall rough-in opening after installation.
- Hydrant cover opens downward with a full 180° rotation.
- Optional wall clamp assembly provides rigidity and helps secure hydrant box to the wall.



Z1320-EZ encased Ecolotrol "anti-siphon," automatic draining wall hydrant installed in one standard masonry course.



Z1350-EZ encased, moderate climate wall hydrant for narrow wall installation with mounting bracket hardware.



Form No. SD36, 7/06

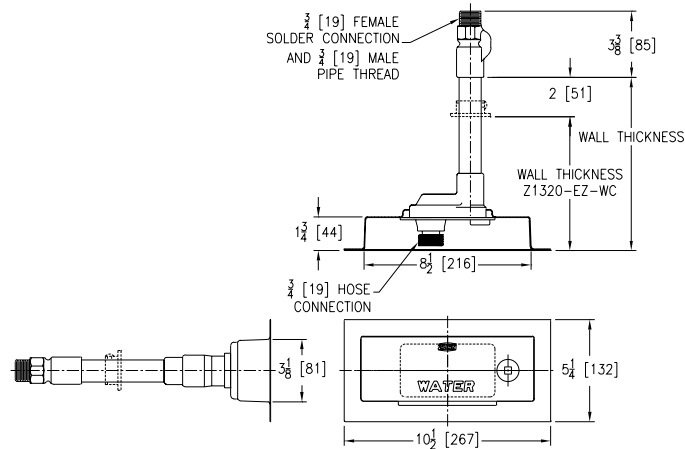


ZURN INDUSTRIES, LLC SPECIFICATION DRAINAGE OPERATION

1801 PITTSBURGH AVENUE · ERIE, PA, U.S.A. 16502 · PHONE: (814) 455-0921 · FAX: (814) 454-7929 · www.zurn.com

Zurn Z1320-EZ, Z1327-EZ and Z1350-EZ

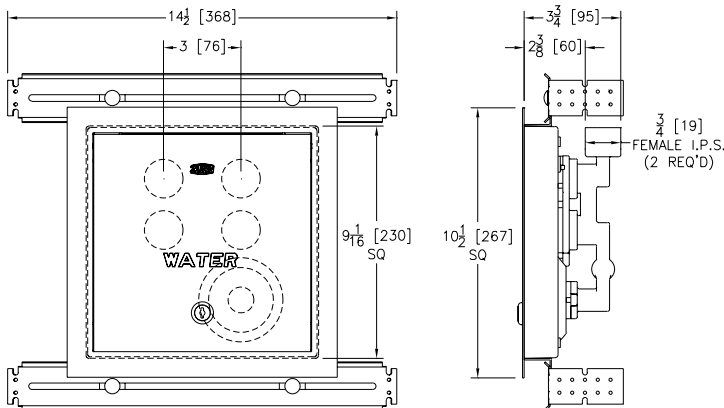
Encased Wall Hydrants



Z1320-EZ

Ecolotrol Ceramic Disc Wall Hydrant
Encased, Non-Freeze, Anti-Siphon, Automatic Draining

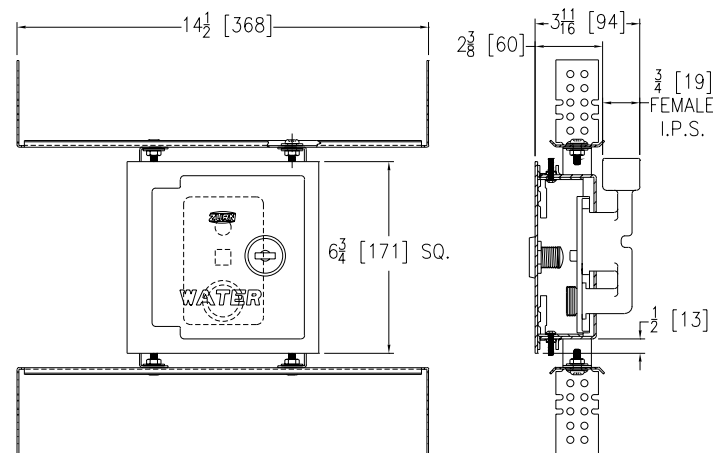
ENGINEERING SPECIFICATION: ZURN Z1320-EZ Encased Ecolotrol "anti-siphon" automatic draining wall hydrant for flush installation. Complete with copper casing, all bronze interior parts with quarter-turn ceramic disc cartridge, and combination 3/4" [19] female solder and 3/4" [19] male pipe thread inlet. Stainless steel box and hinged cover with operating key lock and "WATER" stamped on cover. (All solder connections are lead free). Recommended wall opening 3-3/16" [81] x 8-1/2" [216]. Hydrant box fits in one standard modular masonry course.



Z1327-EZ

Narrow Wall Hot/Cold Hydrant with Mounting Brackets
Encased, Moderate Climate

ENGINEERING SPECIFICATION: ZURN Z1327-EZ Encased moderate climate hot/cold wall hydrant for narrow wall installation. Complete with bronze bodies, all brass interior parts, replaceable seat washers, screwdriver operated stop valves in supply, handle operated control valves, 3/4" [19] IP female inlets and 3/4" [19] male hose connection standard, stainless steel box and removable hinged cover with cylinder lock and "WATER" stamped on cover. Complete with mounting brackets and hardware for installation and horizontal adjustment inside a 16" [406] on center stud wall.



Z1350-EZ

Narrow Wall Hydrant with Mounting Brackets
Encased, Moderate Climate

ENGINEERING SPECIFICATION: ZURN Z1350-EZ Encased moderate climate wall hydrant for narrow wall installation. Complete with bronze body, all bronze interior parts, replaceable seat washer, screwdriver operated stop valve in supply, key operated control valve, and 3/4" [19] IP female inlet and 3/4" [19] male hose connection standard, stainless steel box and hinged cover with cylinder lock and "WATER" stamped on cover. Complete with mounting brackets and hardware for installation and horizontal adjustment inside a 16" [406] on center stud wall.

NOTE: Caulking of inside joints by others.

