



# Zurn Z400-SR

## Floor Drain Stabilizer Ring

### Floor drain installation made easy by Zurn!

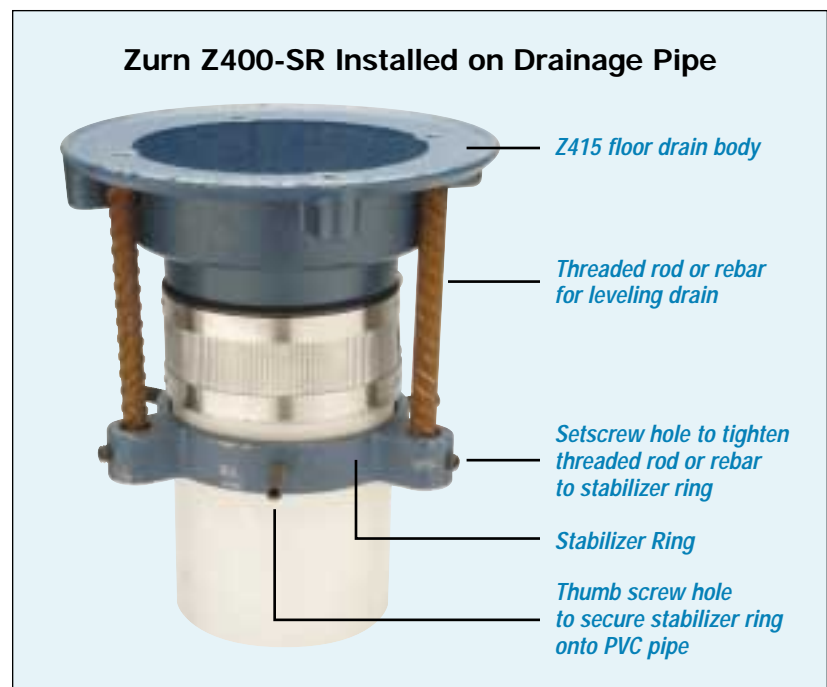
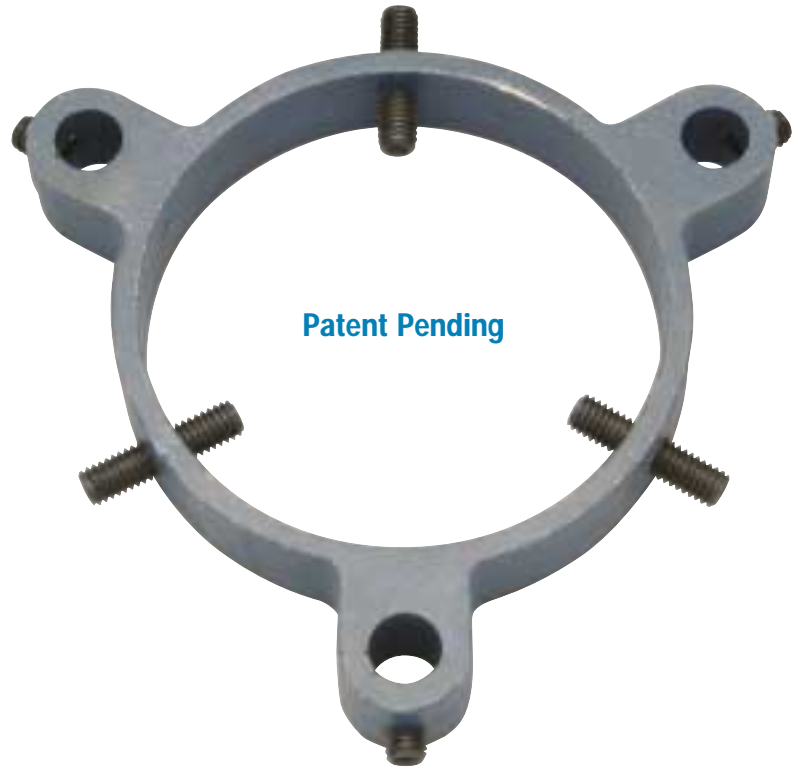
The new Zurn Z400-SR Stabilizer Ring is made of Dura-Coated cast iron and comes with 3/8" securing screws to attach to your drainage pipe. The ring is designed to work with 2", 3", or 4" pipe and Zurn Z415 floor drain body. When the ring is snug on the pipe, place 1/2" rebar into each of the three holes. Attach the drain body to the pipe and slide the rebar up into the hole until it makes contact with the drain base. Check to make sure that the drain body is level, then pour your concrete.

### What does the Zurn Z400-SR Stabilizer Assembly do for you?

- Secures the drain to the pipe prior to the pour. This will prevent the drain from being knocked out of position.
- Allows for height and level adjustment to meet the finished floor.
- Prevents drain from floating, tilting, or falling over during the installation process.
- Can support reasonable excess weight placed on the drain prior to the pour.



The Zurn Z400-SR Stabilizer Ring comes packaged with securing screws and installation instructions.



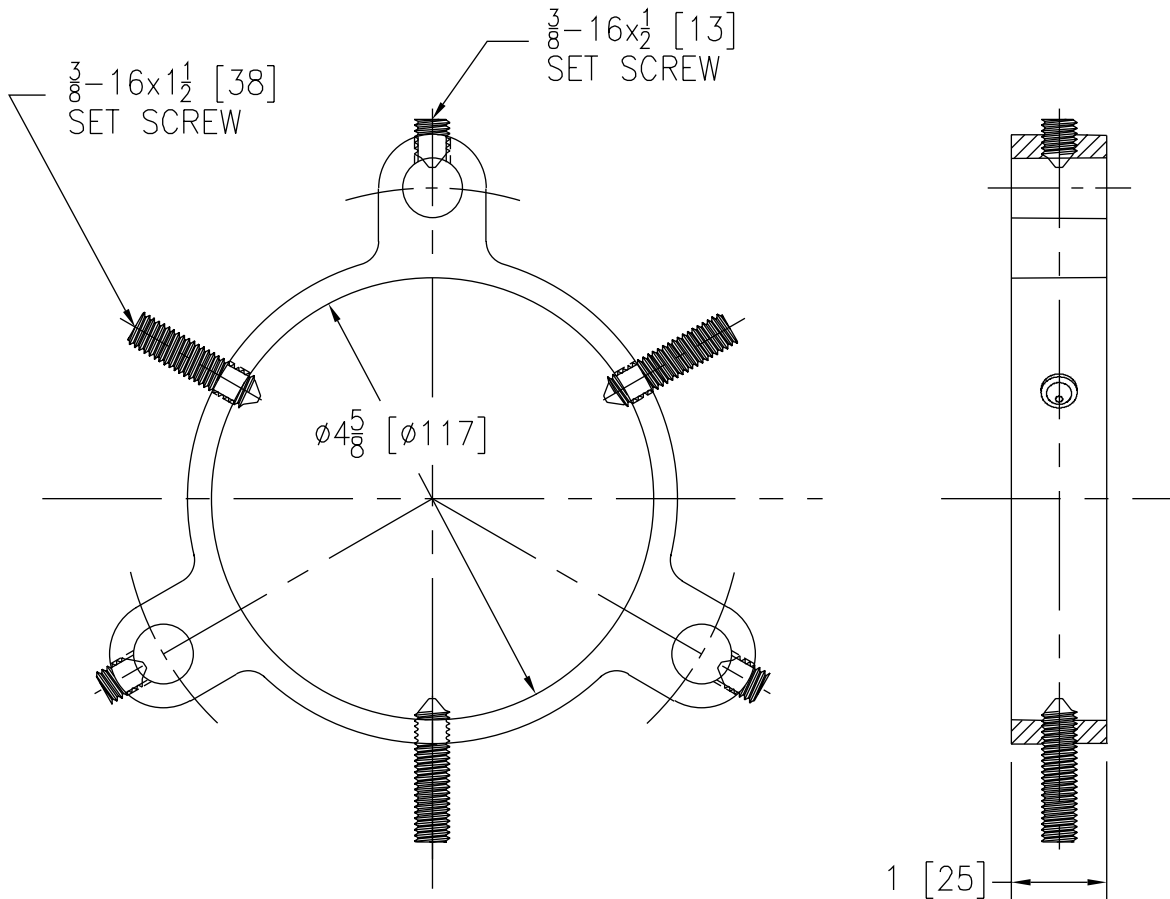
Form No. SD37, 7/06



# Zurn Z400-SR

## Floor Drain Stabilizer Ring

Patent Pending



**ENGINEERING SPECIFICATION:** ZURN Z400-SR Floor Drain Stabilizer Ring.  
Dura-Coated cast iron ring with 3/8"-16 x 1/2" [13] securing screws to rebar and 3/8"-16 x 1-1/2" [38] securing screws to outlet piping. Stabilizer ring is designed to accommodate 2" [51], 3" [76] and 4" [102] pipe and used with 8-3/8" [213] diameter drain body.

Pipe Size: 2"-4" [51 mm-102 mm]  
Weight: 2.0 lbs. [1 kg]

Form No. SD37, 7/06



ZURN INDUSTRIES, LLC SPECIFICATION DRAINAGE OPERATION  
1801 PITTSBURGH AVENUE · ERIE, PA, U.S.A. 16502 · PHONE: (814) 455-0921 · FAX: (814) 454-7929 · www.zurn.com