



Z5551

Z-HPT™ High Performance, 1.6 GPF, TAG _____
ADA, Elongated, Siphon Jet Toilet



Z5551 Series

- 1.6 gpf (gallons per flush)
- Vitreous china
- 3" Flush valve for powerful flushing
- Chrome plated handle
- Elongated front rim
- High performance siphon-jet design
- ADA Height
- Extra large foot print for easy retro-fit
- 2 1/8" Fully glazed trapway
- Chloramine resistant internal components
- Heavy-duty stabilizers for rigid tank to bowl connection
- Concealed sanitary bar
- 2 1/2" Trap seal
- Water surface 9" x 11"
- Includes bolt caps
- Shipping weight: 92 lbs.

Suffix Options:

- ___ -RH Vitreous China right-hand lever tank
- ___ -VL Vitreous China lid with vandal-proof lockdown

Recommended Trim:

- Z5958SS-EL** Elongated, white, closed front toilet seat with cover & stainless steel check hinge.
- Z5972-COMB** Closet bolt & wax ring kit.
- Z8800-CR** Standard stop with flexible closet riser.

Optional Trim

- Z5975-FLO-JR**
PVC Flo-Bowl Jr. closet flange kit

Engineering Specification:

- Z5551** Vitreous china, two piece, 1.6 gpf [6 Lpf] low consumption, high performance siphon-jet toilet with 3" flush valve, elongated 16 1/8" ADA compliant rim and 12" standard rough-in.

Note: Call for availability of multiple suffix options.

These dimensions and specifications are subject to change without notice.

Fixture dimensions meet ANSI/ASME standard A112.19.2-2003 and CAN/CSA B45 requirements.

Meets the American Disabilities Guidelines and ANSI A117.1 requirements when installed per code.



See Zurn One Systems for suggested packages.

Zurn Plumbing Products Group Commercial Brass and Fixtures Operation

2640 South Work Street · Falconer, NY 14733 · Phone: 716-665-1132 · Fax: 716-665-1135 · www.zurn.com

This space is for Architectural/engineering Approval

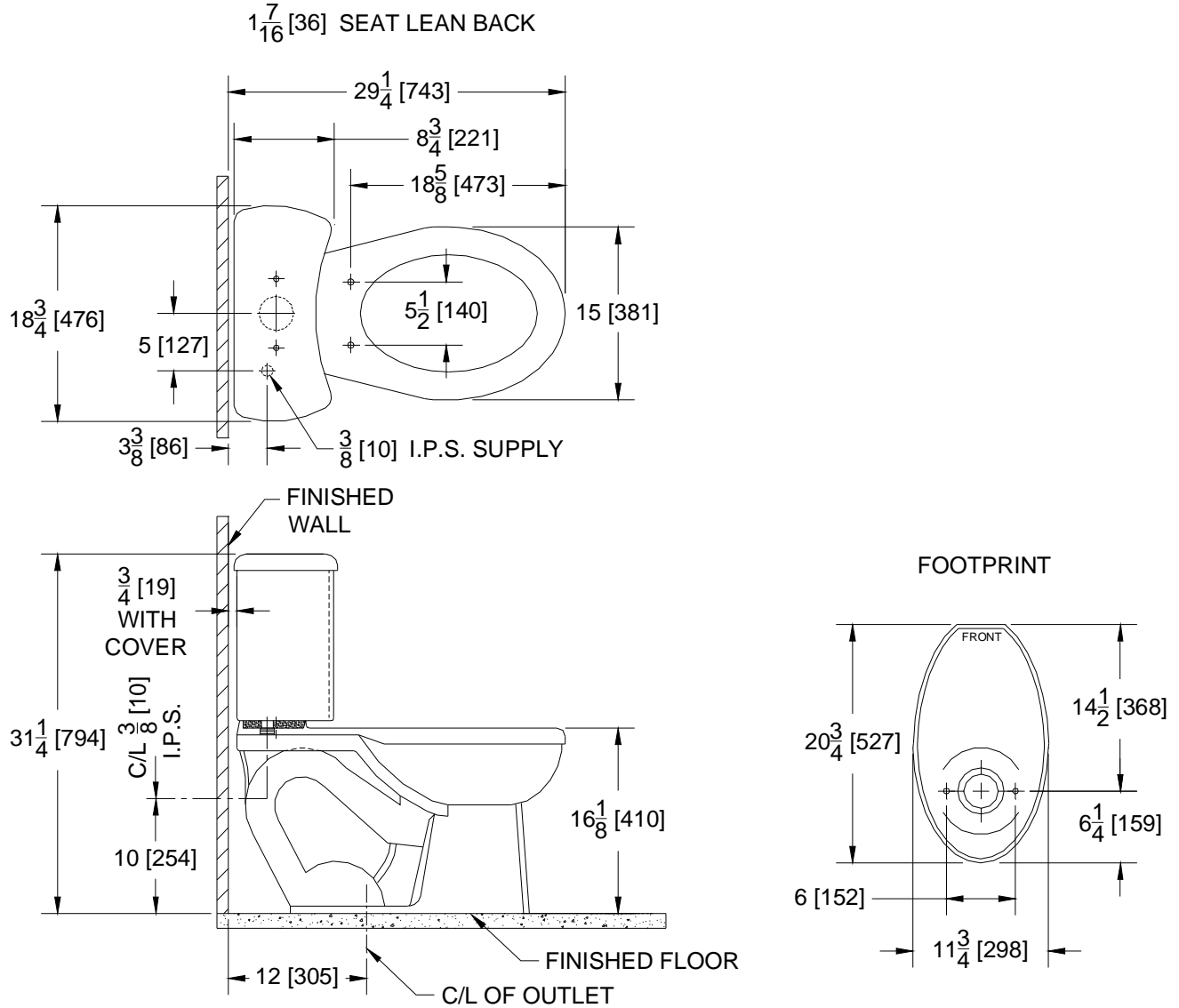


Z5551

Z-HPT™ High Performance, 1.6 GPF,
ADA, Elongated, Siphon Jet Toilet
Rough-In

TAG _____

Rough-in Dimensions for Z5551 Series



These dimensions and specifications are subject to change without notice.

Fixture dimensions meet ANSI/ASME standard A112.19.2-2003 and CAN/CSA B45 requirements.

Meets the American Disabilities Guidelines and ANSI A117.1 requirements when installed per code.



Zurn Plumbing Products Group Commercial Brass and Fixtures Operation

2640 South Work Street · Falconer, NY 14733 · Phone: 716-665-1132 · Fax: 716-665-1135 · www.zurn.com