



Z5553

Z-HPT™ High Performance, 1.6 GPF, TAG _____
Round Front, Siphon Jet Toilet



Z5553 Series

- 1.6 gpf (gallons per flush)
- Vitreous china
- 3" Flush valve for powerful flushing
- Chrome plated handle
- Round front rim
- High performance siphon-jet design
- Extra large foot print for easy retro-fit
- 2 1/8" Fully glazed trapway
- Chloramine resistant internal components
- Heavy-duty stabilizers for rigid tank to bowl connection
- Concealed sanitary bar
- 2 1/2" Trap seal
- Includes bolt caps
- Shipping weight: 88 lbs.

Suffix Options:

- ___ -RH Vitreous China right-hand lever tank
- ___ -VL Vitreous China lid with vandal-proof lockdown

Recommended Trim:

- Z5958SS-RD** Round, white, closed front toilet seat with cover & stainless steel check hinge.
- Z5972-COMB** Closet bolt & wax ring kit.
- Z8800-CR** Standard stop with flexible closet riser.

Optional Trim

- Z5975-FLO-JR**
PVC Flo-Bowl Jr. closet flange kit

Engineering Specification:

- Z5553** Vitreous china, two piece, 1.6 gpf [6 Lpf] low consumption, high performance siphon-jet toilet with 3" flush valve, round front rim and 12" standard rough-in.

Note: Call for availability of multiple suffix options.

This space is for Architectural/engineering Approval

These dimensions and specifications are subject to change without notice.

Fixture dimensions meet ANSI/ASME standard A112.19.2-2003 and CAN/CSA B45 requirements.

See Zurn One Systems for suggested packages.

Zurn Plumbing Products Group Commercial Brass and Fixtures Operation
2640 South Work Street · Falconer, NY 14733 · Phone: 716-665-1132 · Fax: 716-665-1135 · www.zurn.com



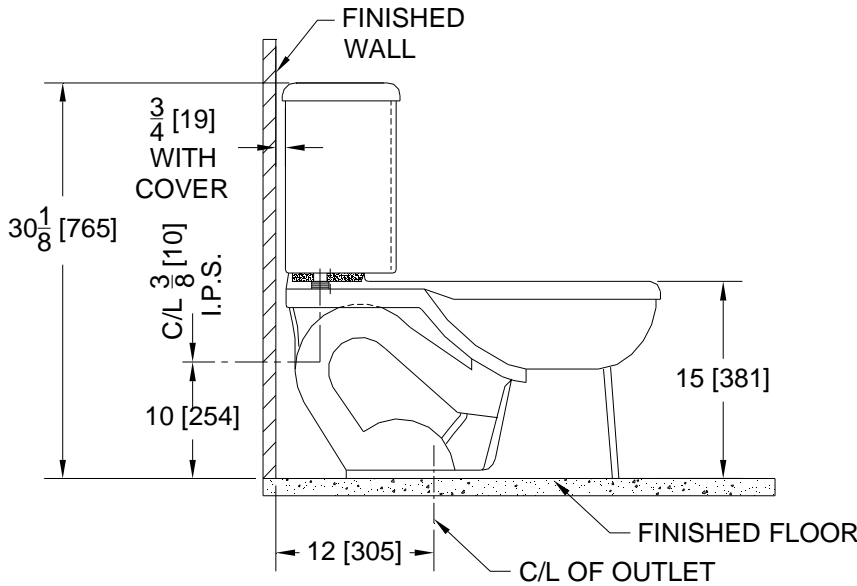
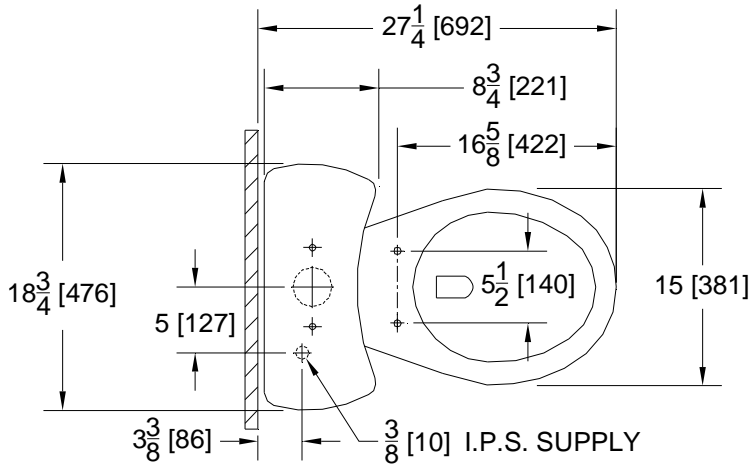
Z5553

Z-HPT™ High Performance, 1.6 GPF,
Round Front, Siphon Jet Toilet
Rough-In

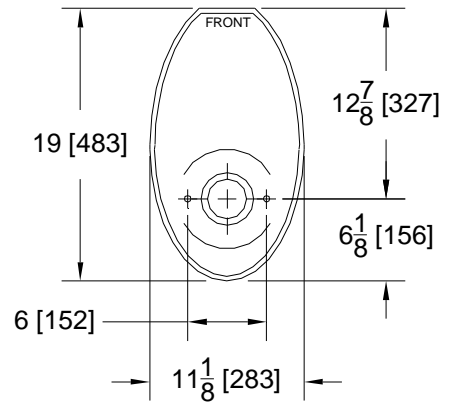
TAG _____

Rough-in Dimensions for Z5553 Series

1 [25] SEAT LEAN BACK



FOOTPRINT



These dimensions and specifications are subject to change without notice.

Fixture dimensions meet ANSI/ASME standard A112.19.2-2003 and CAN/CSA B45 requirements.

Zurn Plumbing Products Group Commercial Brass and Fixtures Operation

2640 South Work Street · Falconer, NY 14733 · Phone: 716-665-1132 · Fax: 716-665-1135 · www.zurn.com