

Z6913

AquaSense Battery Powered Faucet

Engineering Specification

ADA compliant, battery powered, chrome plated sensor faucet for retrofit and new construction.

- Flow Rate
1.5 gpm Vandal Resistant Aerator
- Occupant Detection
Infrared convergence-type proximity sensor
Thirty Second Time out feature
- Spout module
Chrome Plated Cast Brass
- Also Includes
In-line filter
4 "AA" batteries
Inlet for a 1/2"[13] ball riser
Single supply hose

* Option not available for -XL faucets



Shown with -CP4 option

Flow Control Options

- F 0.5 gpm/1.9 Lpm Vandal-Resistant Non-Aerated
- J 1.5 gpm/ 5.7 Lpm Vandal-Resistant Laminar Flow
- K 1.0 gpm/ 3.8 Lpm Vandal-Resistant Laminar Flow
- L 1.0 gpm/ 3.8 Lpm Vandal-Resistant Aerator
- M 0.35 gpm/1.3 Lpm Vandal-Resistant Non-Aerated

Power Supply Choices (Sold Separately)

- ACA 6 VDC Plug-In Power Converter
- HW6 Hardwired Power Converter

Optional Power Supply Accessories

- CWB Connector Wire for Hardwire Install
- MJ Mini Junction Box

NOTE: For Hardwire applications furnish P6000-HW6 power converter. Order P6000-HW6 power converter separately. The P6000-HW6 and P6000-MJ will power up to 8 sensor faucets.

The information contained in this document is subject to change without notice. Please contact Zurn for most up to date information.

ZURN INDUSTRIES, LLC. ♦ COMMERCIAL BRASS OPERATION
5900 ELWIN BUCHANAN DRIVE ♦ SANFORD NC 27330
Phone: 1-800-997-3876 ♦ Fax: 919-775-3541
www.zurn.com
In Canada: ZURN INDUSTRIES LIMITED
3544 Nashua Drive ♦ Mississauga, Ontario L4V1L2
Phone: 905-405-8272 Fax: 905-405-1292

AquaSense® is a registered trademark of Zurn Industries, LLC.

Accessories

- ADM Above Deck Mixer *
- ADM-1 Above Deck Mixer w/4" Cover Plate *
- ADM-2 Above Deck Mixer w/8" Cover Plate *
- CG CareGuard Aerator
- CP4 Cover Plate 4"[102] Centers
- CP8 Cover Plate 8"[203] Centers
- DSA Drug Screening Applications
- H4 Wrist Blade Handle for ADM *
- MT Mixing Tee *
- MV Temperature Mixing Valve
- SH Supply Hoses for Mixing Valve
- TMV Thermostatic Mixing Valve for Multiple Faucets
- TMV-1 Thermostatic Mixing Valve for Single Faucets
- _____ Other

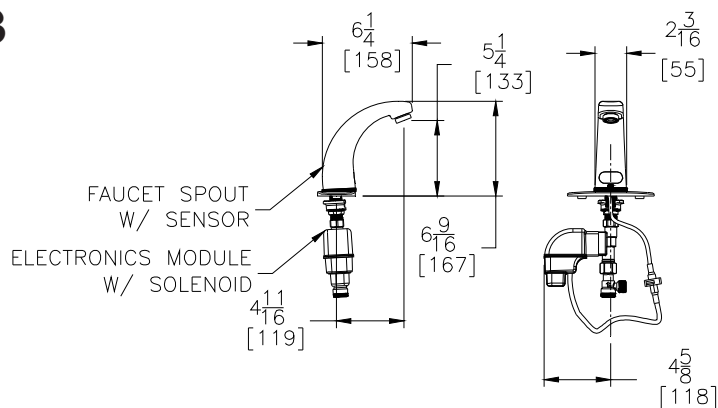
Careguard currently only available with -E, 1.5 Vandal Resistant Laminar Aerator.

- XL Zurn Lead Compliant products (-XL) are manufactured to comply with state laws and local codes that mandate lead content levels less than one quarter of one percent (0.25%) total lead content by weighted average.

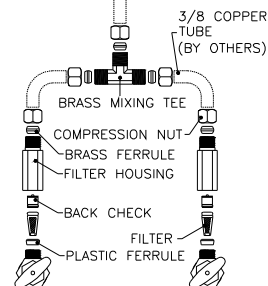
Architectural/Engineering Approval

TYPICAL Z6913

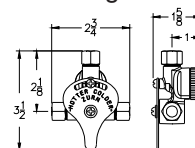
AquaSense Battery Powered Faucet



Optional Mixing Valves



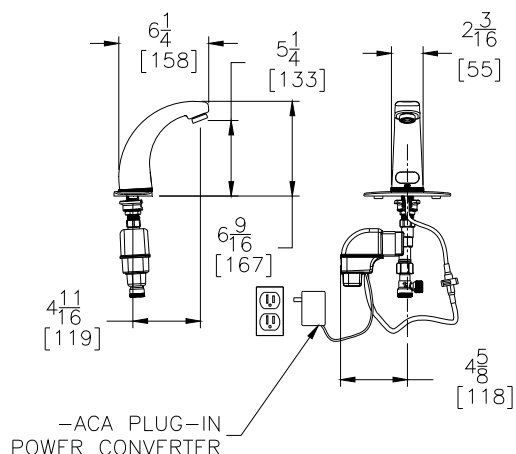
P6900-MT Mixing Tee



P6900-MV Temperature Mixing Valve

TYPICAL Z6913-ACA

AquaSense Plug-In Powered Faucet



TYPICAL Z6913-CWB

AquaSense Hardwire Powered Faucet

Optional:

* Optional -MJ mini junction box for connecting up to 8 faucets

NOTE: MUST USE EITHER ZURN P6000-HW6 HARDWIRE POWER CONVERTER OR ZURN P6000-ACA PLUG-IN POWER CONVERTER TO ENSURE PROPER OPERATION. USING A POWER CONVERTER OTHER THAN ZURN MAY RESULT IN OPERATION MALFUNCTION OR UNIT FAILURE.

