

Z6920

AquaSense Battery Powered Faucet



Engineering Specification

ADA compliant, battery powered, chrome plated sensor faucet for retrofit and new construction.

- Flow Rate
 - 1.5 gpm Vandal Resistant Laminar Flow
- Occupant Detection
 - Infrared convergence-type proximity sensor
 - Thirty Second Time out feature
- Spout module
 - Chrome Plated Cast Brass
- Also Includes
 - In-line filter
 - 4 "AA" batteries
 - Inlet for a 1/2"[13] ball riser
 - Single supply hose

* Option not available for -XL faucets

Accessories

Flow Control Options

- E 1.5 gpm/ 5.7 Lpm Vandal-Resistant Aerator
- F 0.5 gpm/1.9 Lpm Vandal-Resistant Non-Aerated
- K 1.0 gpm/ 3.8 Lpm Vandal-Resistant Laminar Flow
- L 1.0 gpm/ 3.8 Lpm Vandal-Resistant Aerator
- M 0.35 gpm/1.3 Lpm Vandal-Resistant Non-Aerated

Power Supply Choices (Sold Separately)

- ACA 6 VDC Plug-In Power Converter
- HW6 Hardwired Power Converter

Optional Power Supply Accessories

- CWB Connector Wire for Hardwire Install
- MJ Mini Junction Box

NOTE: For Hardwire applications furnish P6000-HW6 power converter. Order P6000-HW6 power converter separately.

The P6000-HW6 and P6000-MJ will power up to 8 sensor faucets.

Architectural/Engineering Approval

ZURN INDUSTRIES, LLC. ♦ COMMERCIAL BRASS OPERATION
5900 ELWIN BUCHANAN DRIVE ♦ SANFORD NC 27330
Phone: 1-800-997-3876 ♦ Fax: 919-775-3541
www.zurn.com
In Canada: ZURN INDUSTRIES LIMITED
3544 Nashua Drive ♦ Mississauga, Ontario L4V1L2
Phone: 905-405-8272 Fax: 905-405-1292

AquaSense® is a registered trademark of Zurn Industries, LLC.

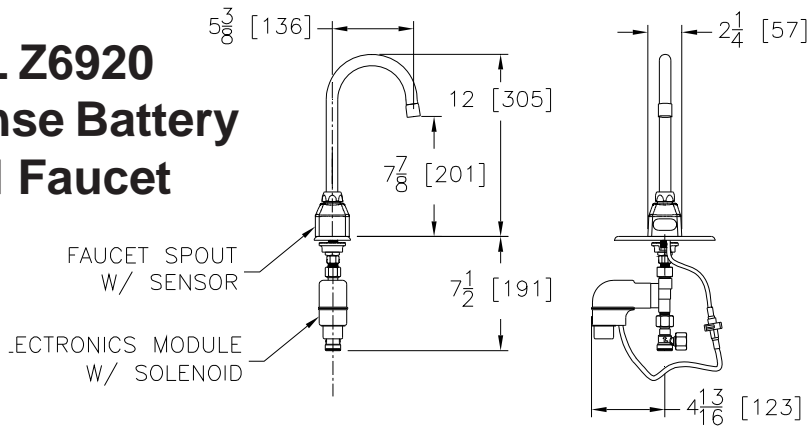
- 10S 10 Second Timeout Feature
- ADM Above Deck Mixer *
- ADM-1 Above Deck Mixer w/4" Cover Plate *
- ADM-2 Above Deck Mixer w/8" Cover Plate *
- CG CareGuard Aerator
- CP4 Cover Plate 4"[102] Centers
- CP8 Cover Plate 8"[203] Centers
- DSA Drug Screening Applications
- FC Flow Control in Base of Spout
- GA 3-1/2" Gooseneck Spout
- GC 8" Gooseneck Spout
- H4 Wrist Blade Handle for ADM *
- MT Mixing Tee *
- MV Temperature Mixing Valve
- SH Supply Hoses for Mixing Valve
- SO Rosette Spray Aerator
- TMV Thermostatic Mixing Valve for Multiple Faucets
- TMV-1 Thermostatic Mixing Valve for Single Faucets
- XT Extended Range, Less Timeout
- _____ Other

Careguard currently only available with -E, 1.5 Vandal Resistant Laminar Aerator.

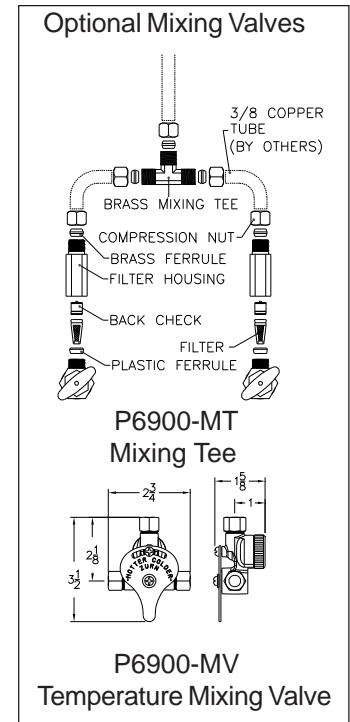
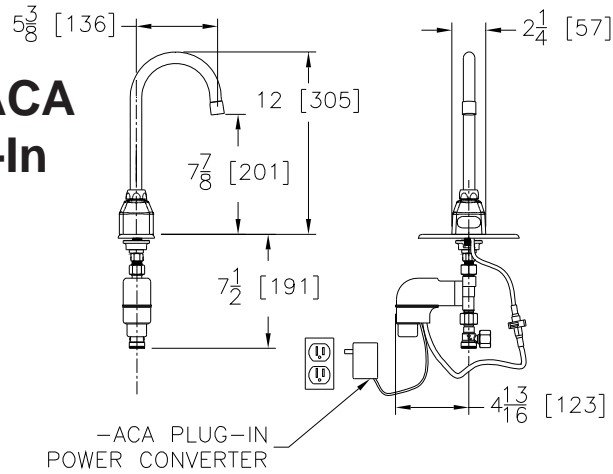
-XL Zurn Lead Compliant products (-XL) are manufactured to comply with state laws and local codes that mandate lead content levels less than one quarter of one percent (0.25%) total lead content by weighted average.

The information contained in this document is subject to change without notice.
Please contact Zurn for most up to date information.

TYPICAL Z6920 AquaSense Battery Powered Faucet

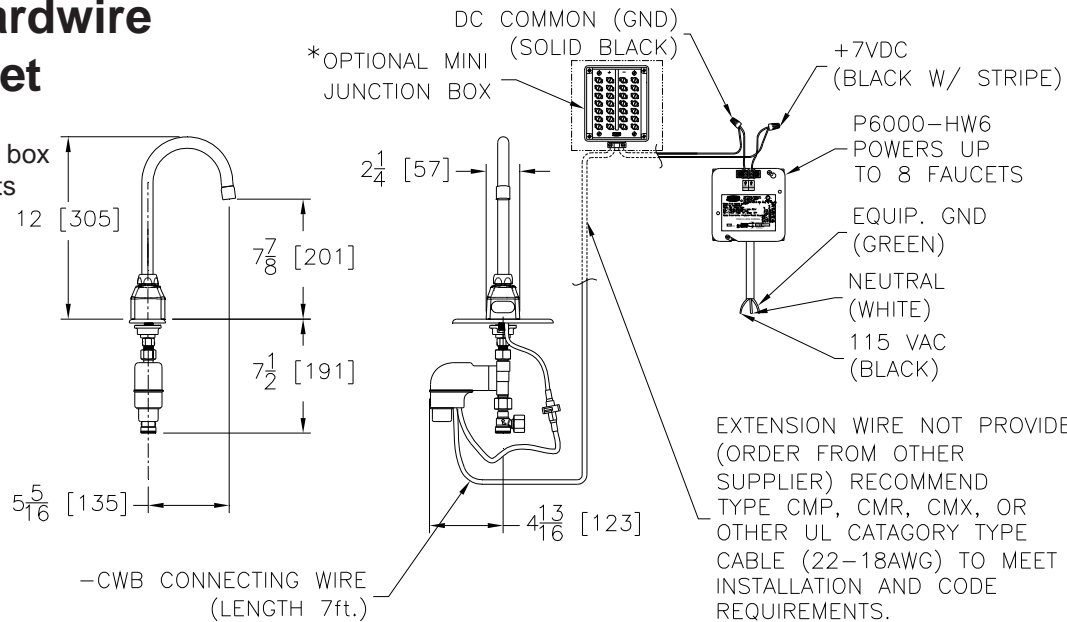


TYPICAL Z6920-ACA AquaSense Plug-In Powered Faucet



TYPICAL Z6920-CWB AquaSense Hardwire Powered Faucet

Optional:
* Optional -MJ mini junction box
for connecting up to 8 faucets



NOTE: MUST USE EITHER ZURN P6000-HW6 HARDWIRE POWER CONVERTER OR ZURN P6900-ACA PLUG-IN POWER CONVERTER TO ENSURE PROPER OPERATION. USING A POWER CONVERTER OTHER THAN ZURN MAY RESULT IN OPERATION MALFUNCTION OR UNIT FAILURE.